

## Data sheet

Sheet No.: D86, Rev F, Page 1 of 2

Date: February 2016

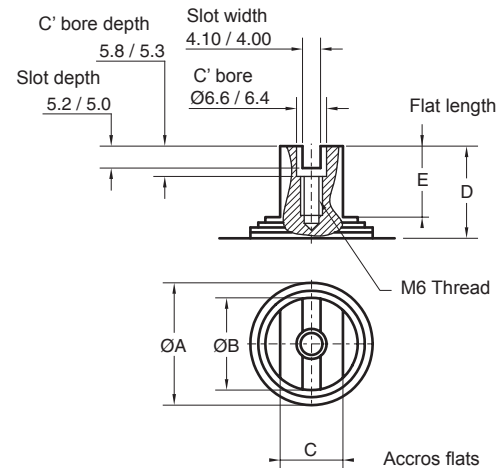
Hytorc XL

# Top and Solenoid Mounting Details

## XL26 - XL4581 Metric Actuators

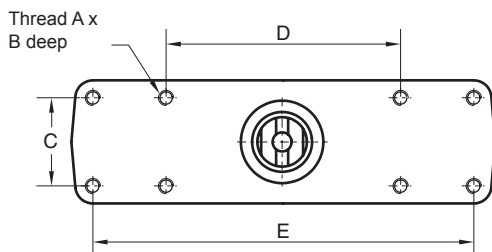
### Pinion top details

Model	ØA	ØB	C	D	E
XL 26	24.6/24.5	16.6/16.5	14.00/13.85	20.1/19.9	16.4/16.0
XL 71	24.6/24.5	16.6/16.5	14.00/13.85	20.1/19.9	16.4/16.0
XL 131	24.6/24.5	16.6/16.5	14.00/13.85	20.1/19.9	16.4/16.0
XL 186	30.5/30.0	16.6/16.5	14.00/13.85	20.1/19.9	13.7/13.3
XL 221	30.5/30.0	16.6/16.5	14.00/13.85	20.1/19.9	13.7/13.3
XL 281	44.5/44.0	23.5/23.3	17.00/16.85	20.1/19.9	12.6/12.4
XL 426	64.5/64.0	43.5/43.3	22.00/21.85	20.1/19.9	12.6/12.4
XL 681	69.5/69.0	43.5/43.3	22.00/21.85	20.1/19.9	12.6/12.4
XL 1127	90.5/90.0	67.1/66.9	36.00/35.85	30.1/29.9	18.1/17.9
XL 1372	90.5/90.0	67.1/66.9	36.00/35.85	30.1/29.9	18.1/17.9
XL 2586	95.5/95.0	71.5/71.3	40.00/39.85	30.1/29.9	18.1/17.9
XL 4581	95.5/95.0	71.5/71.3	40.00/39.85	30.1/29.9	18.1/17.9

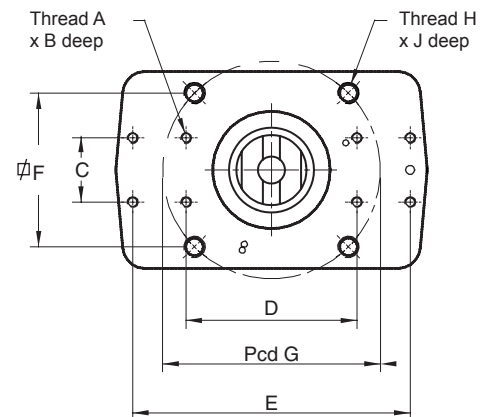


### VDI / VDE Top Mounting details

#### XL 26 - XL221



#### XL 281 - XL4581



Model	A	B	C	D	E	ISO	F	H	J	G
XL 26	M5	6.25	30.0	80.0	-	-/-	-/-	-/-	-/-	-/-
XL 71	M5	6.25	30.0	80.0	-	-/-	-/-	-/-	-/-	-/-
XL 131	M5	6.25	30.0	80.0	130.0	-/-	-/-	-/-	-/-	-/-
XL 186	M5	6.25	30.0	80.0	130.0	-/-	-/-	-/-	-/-	-/-
XL 221	M5	6.25	30.0	80.0	130.0	-/-	-/-	-/-	-/-	-/-
XL 281	M5	8.0	30.0	80.0	130.0	F07	49.5	M8	12	70
XL 426	M5	8.0	30.0	80.0	130.0	F10	72.1	M10	15	102
XL 681	M5	8.0	30.0	80.0	130.0	F10	72.1	M10	15	102
XL 1127	M5	8.0	30.0	130.0	-	F12	88.4	M12	18	125
XL 1372	M5	8.0	30.0	130.0	-	F12	88.4	M12	18	125
XL 2586	M5	8.0	30.0	130.0	-	F16	116.7	M20	20	165
XL 4581	M5	8.0	30.0	130.0	-	F16	116.7	M20	20	165

**HYTORK**

www.Hytorc.com

Copyright © Emerson Process Management. The information in this document is subject to change without notice.  
Updated data sheets can be obtained from our web site [www.Hytorc.com](http://www.Hytorc.com) or from your nearest Valve Automation Center  
USA: +1 813 630 2255 (fax 630 9449) UK: +44 191 5180020 (fax 5180032)



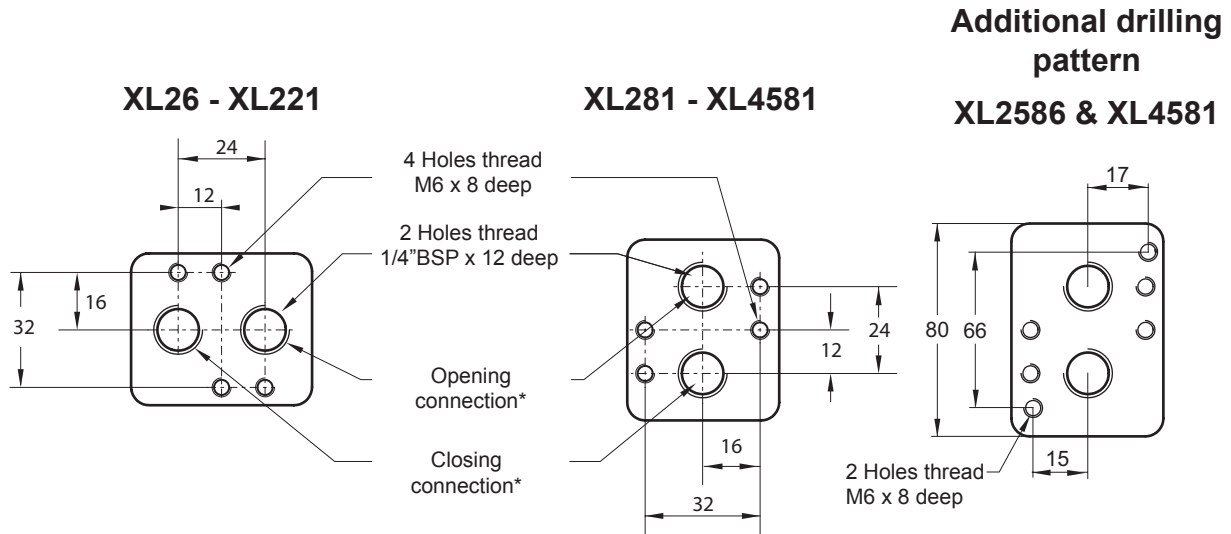
**EMERSON**  
Process Management

# Data sheet

Sheet No.: D86, Rev F, Page 2 of 2  
 Date: February 2016

Hytork XL

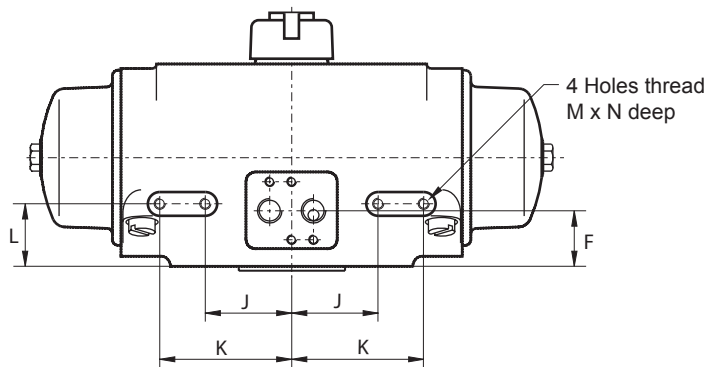
## NAMUR Solenoid Mounting details



**Note:**

\* "Opening" or "Closing" port operation, as shown, is for standard (Spring-to-Close) actuators. For reverse acting actuators (Spring-to-Open) the port operation is also reversed.

## Additional Front mounting patterns



Model	F	J	K	L	M	N
XL26	29	31	46	32	M5	6.5
XL71	29	33.7	58.7	32	M5	6.5
XL131	30	47.3	72.3	34	M6	6.5
XL186	30	61.3	86.3	34	M6	6.5
XL221	33	62.5	87.5	37	M6	6.5



www.hytork.com

Copyright © Emerson Process Management. The information in this document is subject to change without notice. Updated data sheets can be obtained from our web site [www.hytork.com](http://www.hytork.com) or from your nearest Valve Automation Center  
 USA: +1 813 630 2255 (fax 630 9449) UK: +44 191 5180020 (fax 5180032)

