

Data sheet

Sheet No.: D89, Rev E, Page 1 of 2
 Date: February 2016

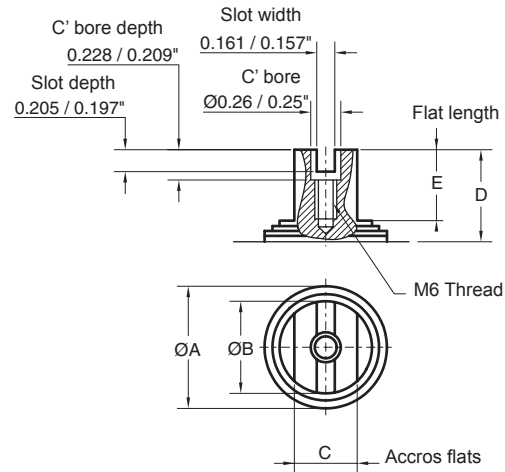
Hytork XL

Top and Solenoid Mounting Details

XL26 - XL4581 Imperial Actuators

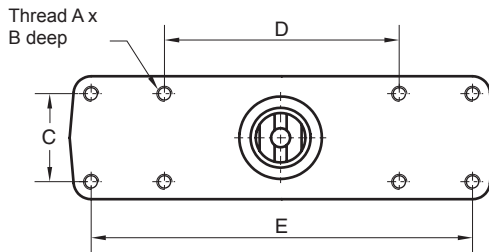
Pinion top details VDI/VDE3845 (NAMUR)

Model	ØA	ØB	C	D	E
XL 26	0.969" / 0.965"	0.653" / 0.650"	0.551" / 0.545"	0.791" / 0.783"	0.645" / 0.63"
XL 71					0.539" / 0.524"
XL 131					0.539" / 0.524"
XL 186	1.201" / 1.181"	0.925" / 0.917"	0.670" / 0.663"		0.496" / 0.488"
XL 221					
XL 281	1.752" / 1.732"	1.713" / 1.705"	0.866" / 0.86"		
XL 426	2.539" / 2.52"				
XL 681	2.736" / 2.717"				
XL 1127	3.56" / 3.54"	2.642" / 2.634"	1.417" / 1.411"	1.185" / 1.177"	0.712" / 0.705"
XL 1372					
XL 2586	3.76" / 3.74"	2.815" / 2.807"	1.575" / 1.569"		
XL 4581					

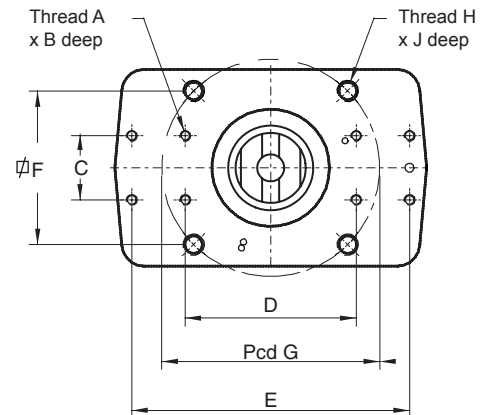


Top Mounting details VDI/VDE3845 (NAMUR)

XL 26 - XL221



XL 281 - XL4581



Model	A unc	B	C	D	E	ISO	F	H	J	G
XL 26	No10 x 24	0.24"	1.18"	3.15"	-	-/-	-/-	-/-	-/-	-/-
XL 71	No10 x 24	0.24"	1.18"	3.15"	-	-/-	-/-	-/-	-/-	-/-
XL 131	No10 x 24	0.24"	1.18"	3.15"	5.12"	-/-	-/-	-/-	-/-	-/-
XL 186	No10 x 24	0.24"	1.18"	3.15"	5.12"	-/-	-/-	-/-	-/-	-/-
XL 221	No10 x 24	0.24"	1.18"	3.15"	5.12"	-/-	-/-	-/-	-/-	-/-
XL 281	No10 x 24	0.315"	1.18"	3.15"	5.12"	F07	1.95	5/16"-18	0.47	2.76
XL 426	No10 x 24	0.315"	1.18"	3.15"	5.12"	F10	2.84	3/8"-16	0.59	4.02
XL 681	No10 x 24	0.315"	1.18"	3.15"	5.12"	F10	2.84	3/8"-16"	0.59	4.02
XL 1127	No10 x 24	0.315"	1.18"	5.12"	-	F12	3.48	1/2"-13	0.71	4.92
XL 1372	No10 x 24	0.315"	1.18"	5.12"	-	F12	3.48	1/2"-13	0.71	4.92
XL 2586	No10 x 24	0.315"	1.18"	5.12"	-	F16	4.59	3/4"-10	0.79	6.50
XL 4581	No10 x 24	0.315"	1.18"	5.12"	-	F16	4.59	3/4"-10	0.79	6.50



www.Hytork.com

Copyright © Emerson Process Management. The information in this document is subject to change without notice.
 Updated data sheets can be obtained from our website www.hytork.com or from your nearest Valve Automation Center
 USA: +1 813 630 2255 (fax 630 9449) UK: +44 191 5180020 (fax 5180032)

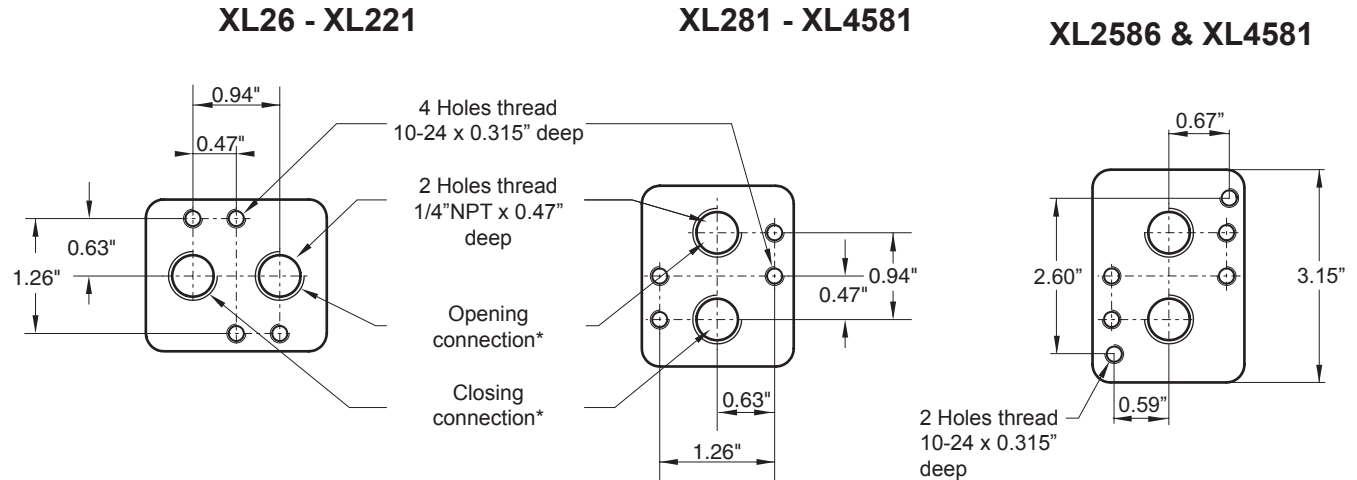


Data sheet

Sheet No.: D89, Rev E, Page 2 of 2
 Date: February 2016

Hytork XL

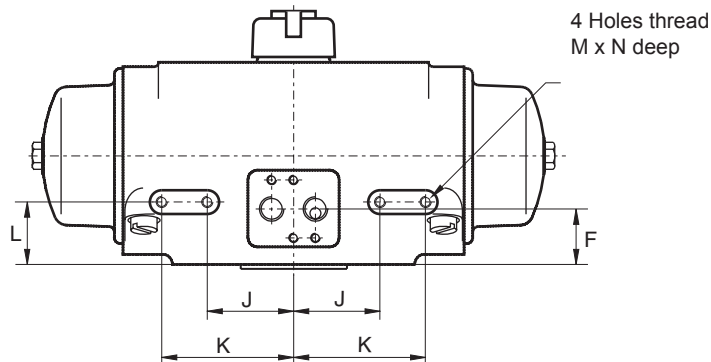
NAMUR Solenoid Mounting details



Note:

* "Opening" or "Closing" port operation, as shown, is for standard (Spring-to-Close) actuators. For reverse acting actuators (Spring-to-Open) the port operation is also reversed.

Additional Front mounting patterns (XL26 to XL221)



Dimensions in inches						
Model	F	J	K	L	M	N
XL26	1.14	1.22	1.81	1.26	10-24	0.26
XL71	1.14	1.33	2.31	1.26	10-24	0.26
XL131	1.18	1.86	2.85	1.34	1/4"-20	0.26
XL186	1.18	2.41	3.40	1.34	1/4"-20	0.26
XL221	1.30	2.46	3.44	1.46	1/4"-20	0.26



www.Hytork.com

Copyright © Emerson Process Management. The information in this document is subject to change without notice. Updated data sheets can be obtained from our website www.hytork.com or from your nearest Valve Automation Center
 USA: +1 813 630 2255 (fax 630 9449) UK: +44 191 5180020 (fax 5180032)

