

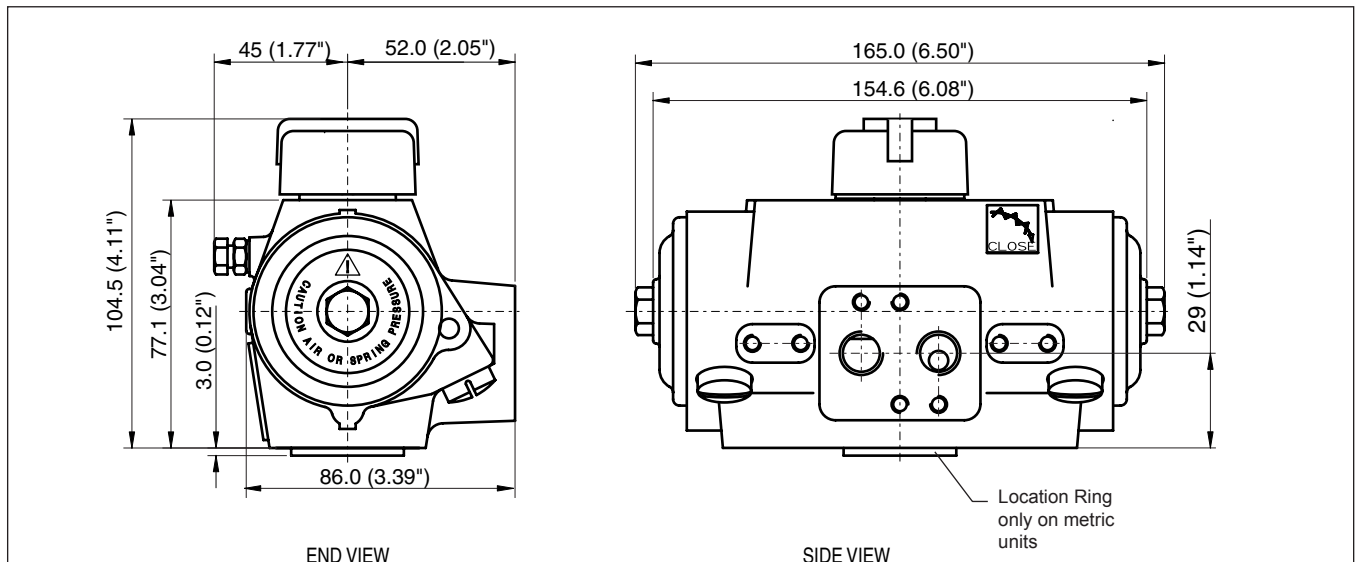
Data sheet

Sheet No.: D28, Rev. D
Date: September 2009

Hytork XL

Envelope Dimensions and Torque Data

XL26 Double acting and Spring Return actuator



| Torque in Nm, Pressure in bar(g) | | | | | | | | | | | | | | | | |
|----------------------------------|---------------------|-----|------------|-----|------------|-----|------------|-----|------------|-----|------------|-----|------------|-----|------------|-----|
| Double Acting Torques | | 10 | | 14 | | 17 | | 19 | | 21 | | 24 | | 28 | | |
| Spring Rating | Torque From Springs | | 3.0 bar(g) | | 4.0 bar(g) | | 5.0 bar(g) | | 5.5 bar(g) | | 6.0 bar(g) | | 7.0 bar(g) | | 8.0 bar(g) | |
| | Start | End | Start | End | Start | End | Start | End | Start | End | Start | End | Start | End | Start | End |
| S40 | 6 | 4 | 7 | 4 | 10 | 8 | 14 | 11 | 15 | 13 | 17 | 15 | 21 | 18 | 24 | 22 |
| S50 | 7 | 4 | 6 | 3 | 9 | 6 | 13 | 10 | 14 | 12 | 16 | 13 | 20 | 17 | 23 | 20 |
| S60 | 9 | 5 | 5 | 1 | 8 | 5 | 12 | 8 | 14 | 10 | 15 | 12 | 19 | 15 | 22 | 19 |
| S70 | 10 | 6 | - | - | 8 | 3 | 11 | 7 | 13 | 9 | 14 | 10 | 18 | 14 | 21 | 17 |
| S80 | 12 | 7 | - | - | 7 | 2 | 10 | 5 | 12 | 7 | 14 | 9 | 17 | 12 | 20 | 16 |
| S90 | 13 | 8 | - | - | - | - | 9 | 4 | 11 | 6 | 13 | 7 | 16 | 11 | 20 | 14 |
| S1C | 15 | 9 | - | - | - | - | 8 | 2 | 10 | 4 | 12 | 6 | 15 | 9 | 19 | 13 |

| Torque in inch-pounds, Pressure in PSI | | | | | | | | | | | | | | | | |
|--|---------------------|-----|--------|-----|--------|-----|--------|-----|--------|-----|--------|-----|---------|-----|---------|-----|
| Double Acting Torques | | 83 | | 104 | | 125 | | 167 | | 188 | | 209 | | 250 | | |
| Spring Rating | Torque From Springs | | 40 PSI | | 50 PSI | | 60 PSI | | 80 PSI | | 90 PSI | | 100 PSI | | 120 PSI | |
| | Start | End | Start | End | Start | End | Start | End | Start | End | Start | End | Start | End | Start | End |
| S40 | 53 | 32 | 52 | 31 | 73 | 52 | 94 | 73 | 135 | 114 | 156 | 135 | 177 | 156 | 219 | 198 |
| S50 | 66 | 39 | 44 | 18 | 65 | 39 | 86 | 60 | 128 | 101 | 148 | 122 | 169 | 143 | 211 | 185 |
| S60 | 79 | 47 | - | - | 57 | 26 | 78 | 46 | 120 | 88 | 141 | 109 | 161 | 130 | 203 | 172 |
| S70 | 92 | 55 | - | - | - | - | 70 | 33 | 112 | 75 | 133 | 96 | 153 | 117 | 195 | 158 |
| S80 | 105 | 63 | - | - | - | - | 62 | 20 | 104 | 62 | 125 | 83 | 146 | 104 | 187 | 145 |
| S90 | 118 | 71 | - | - | - | - | - | - | 96 | 49 | 117 | 70 | 138 | 90 | 179 | 132 |
| S1C | 131 | 79 | - | - | - | - | - | - | 88 | 36 | 109 | 57 | 130 | 77 | 172 | 119 |



www.Hytork.com

Copyright © Emerson Process Management. The information in this document is subject to change without notice.
Updated data sheets can be obtained from our web site www.Hytork.com or from your nearest Valve Automation Center
USA: +1 281 477 4100 (fax 477 2809) UK: +44 191 5180020 (fax 5180032)



EMERSON
Process Management