

Data sheet

Sheet No.: D129, Rev. C
Date: February 2016

Hytork XL

Low Temperature Actuator

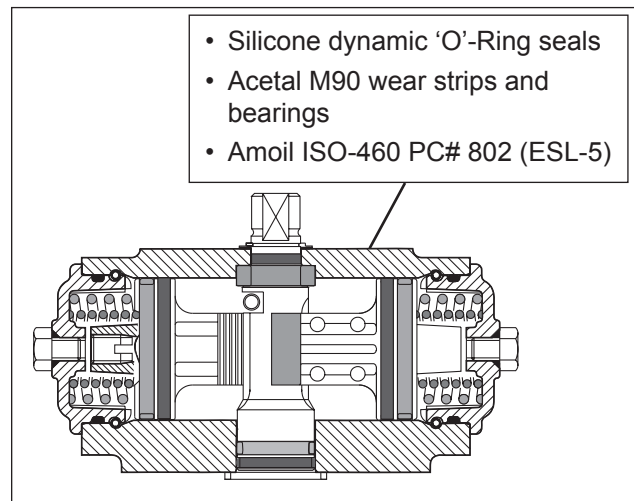
For for general low temperature applications

These Hytork XL Actuators contain special 'O'-ring seals, and grease to enable them to remain functional at low temperatures of down to -40°C / -40°F

Hytork XL actuators can be supplied as standard with a Low Temperature trim kit. To upgrade standard Hytork XL actuators to this Low Temperature variation or for maintenance, trim kits are available with the appropriate parts and instructions.

Specifications:

Temperature range	: -40°C to +100°C / -40°F to +212°F
Dynamic O-ring seals	: Silicone Rubber 8870.
Static O-ring seals	: Nitrile Rubber (Buna-N)
Bearing material	: Acetal M90 (same as standard actuator)
Grease	: Amoil ISO-460 PC# 802 (ESL-5)



Component Description	Material	Qty	Model Numbers
Dynamic 'O'-ring Seals (to be exchanged)			
'O' ring Pinion top	Silicone Rubber 8870	1	XL26 - XL4581
'O' ring Pinion Bottom	Silicone Rubber 8870	1	XL26 - XL4581
'O' ring Piston	Silicone Rubber 8870	2	XL26 - XL4581
Static 'O'-ring Seals (same as standard)			
'O' ring End Cap	Nitrile Rubber (Buna-N)	2	XL26 - XL4581
'O' ring SAFEKEY Head	Nitrile Rubber (Buna-N)	2	XL26 - XL4581
Thread Seal	Stainless Steel / Rubber	2	XL26 - XL221
'O' ring Limit Stops	Nitrile Rubber (Buna-N)	2	XL281 - XL1372
'O' ring End Cap Stop bolt	Nitrile Rubber (Buna-N)	2	XL26 - XL4581
Wear Strips and Bearings (to be exchanged)			
Piston Wear Strips	Acetal M90	2	XL26 - XL4581
Piston Head Glide Ring	Acetal M90	2	XL26 - XL4581
Pinion Top Bearing	Acetal M90	1	XL26 - XL4581
Pinion Bottom Bearing	Acetal M90	1	XL26 - XL4581



www.Hytork.com

Copyright © Emerson Process Management. The information in this document is subject to change without notice.
Updated data sheets can be obtained from our website www.hytork.com or from your nearest Valve Automation Center
USA: +1 813 630 2255 (fax 630 9449) UK: +44 191 5180020 (fax 5180032)

EMERSON
Process Management