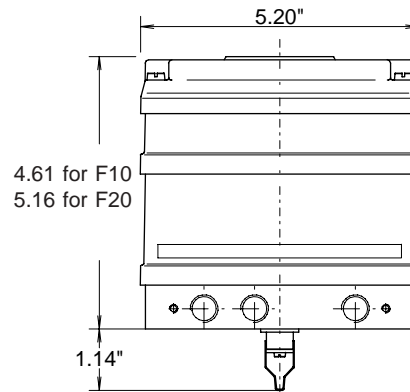
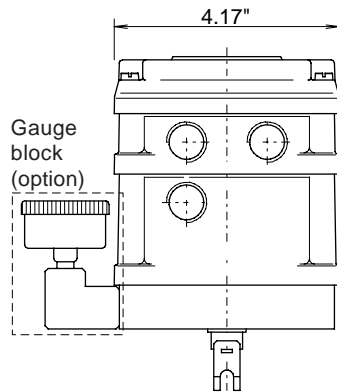
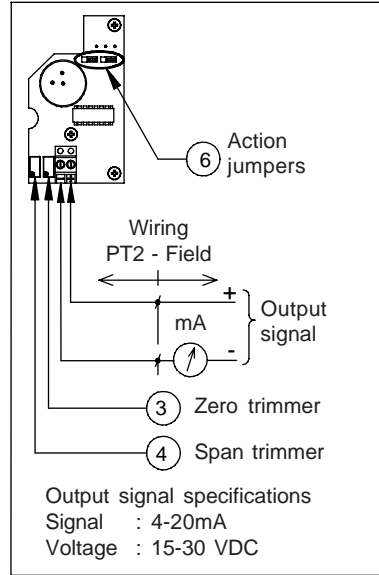


Pos.	Qty.	Description
7	1	Position transmitter module
2	4	Spacer standoff screws



Description

The PT2 position transmitter provides a continuous 4-20 mA output signal in proportion to the mechanical position of the positioner. The two wire function is independent from the input signal and has a separate electrical entry.

PT2 position transmitters may be used with Posiflex F10 (or F20) positioners and are available as kit or factory options.

The position transmitter module (1) is pre-assembled with its circuit board (7) and has a potentiometer, trimmers for zero (3) and range (4) adjustments and terminals (5) for the external power supply. Jumpers (6) are provided to select the action (direct or reverse).

Construction

The PT2 module (1) is assembled to the basic positioner by inserting it between the base housing and the cover. The positioner indicator spindle provides the drive for the potentiometer (3).

Specification

- Entries : 2x 1/2" NPT (option M20x1.5)
- Voltage : 15 - 30 VDC. (external)
- Temperature : -4° F to +176° F
- Output : 4 - 20 mA
- : With full range adjustment for zero and range
- : Jumpers for action setting (direct / reverse)

- Housing : Aluminum Alloy
- Enclosure : NEMA4 / IP65
- Finish : Polyester powder coated

Identification

- Factory option : Add '+PT2' to the basic positioner number; ie. F10+PT2.
- Kit option : PT2-F10