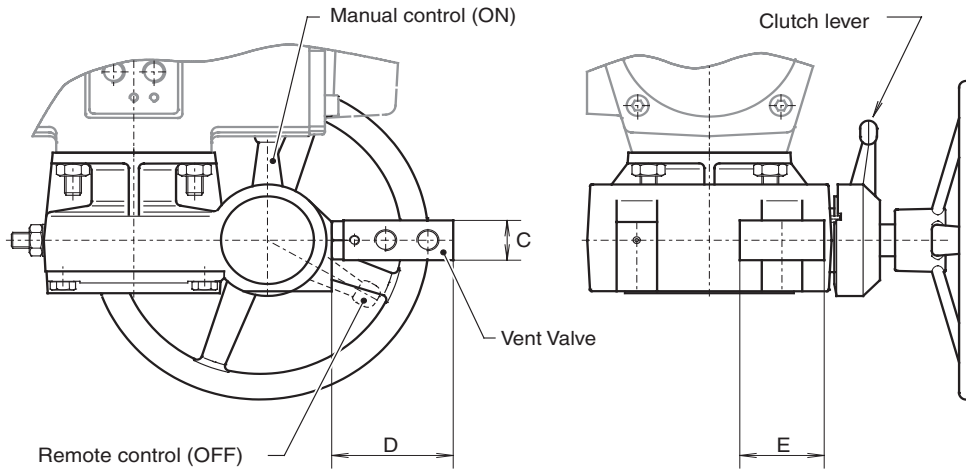


Data sheet

Sheet No.: 3.403 Rev. A
Date: November 2009

EL-O-MATIC VENT VALVE FOR MANUAL OVERRIDE GEARBOX

MO



Description

Every MO Series gearbox has a provision for fitting a vent valve to automatically exhaust air from the actuator in order to override the remote control system.

Operation

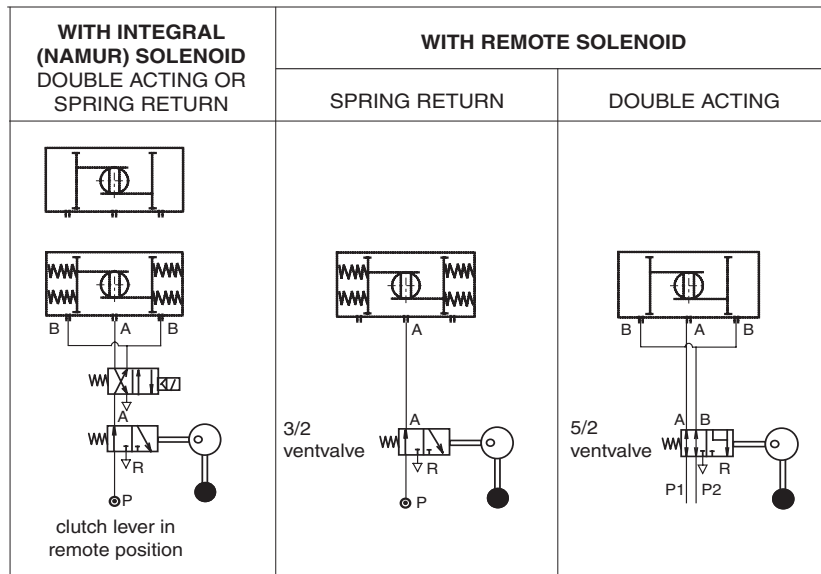
- 1) With the clutch lever in the OFF position the handwheel is dis-engaged and the valve is under remote control.
- 2) When in ON position, the handwheel is engaged and air is exhausted via the vent valve. The valve will remain locked in this last position until operated with the clutch lever to OFF position again.

Art.nr.

| | |
|------------------------|-------------------|
| Double acting actuator | : 310.00.612 |
| Single acting actuator | : 310.00.312 |
| Connections | : G1/4" |
| CV | : 0.8 |
| Body material | : Aluminium alloy |
| Temperature range | : -20°C to +80°C |
| Finish | : Anodized |

Ventvalve dimensions

| ventvalve | C | D | E |
|-----------|----|----|----|
| 3/2 | 25 | 72 | 50 |
| 5/2 | 30 | 97 | 60 |



EL-O-MATIC™

www.El-O-matic.com

Copyright © Emerson Process Management. The information in this document is subject to change without notice.

Updated data sheets can be obtained from our website www.El-O-matic.com or from your nearest Valve Automation Center **USA:** +1 281 477 4100 **Europe:** +31 74 256 10 10 **Asia-Pacific:** +65 6501 4600



EMERSON™
Process Management