

Product data sheet

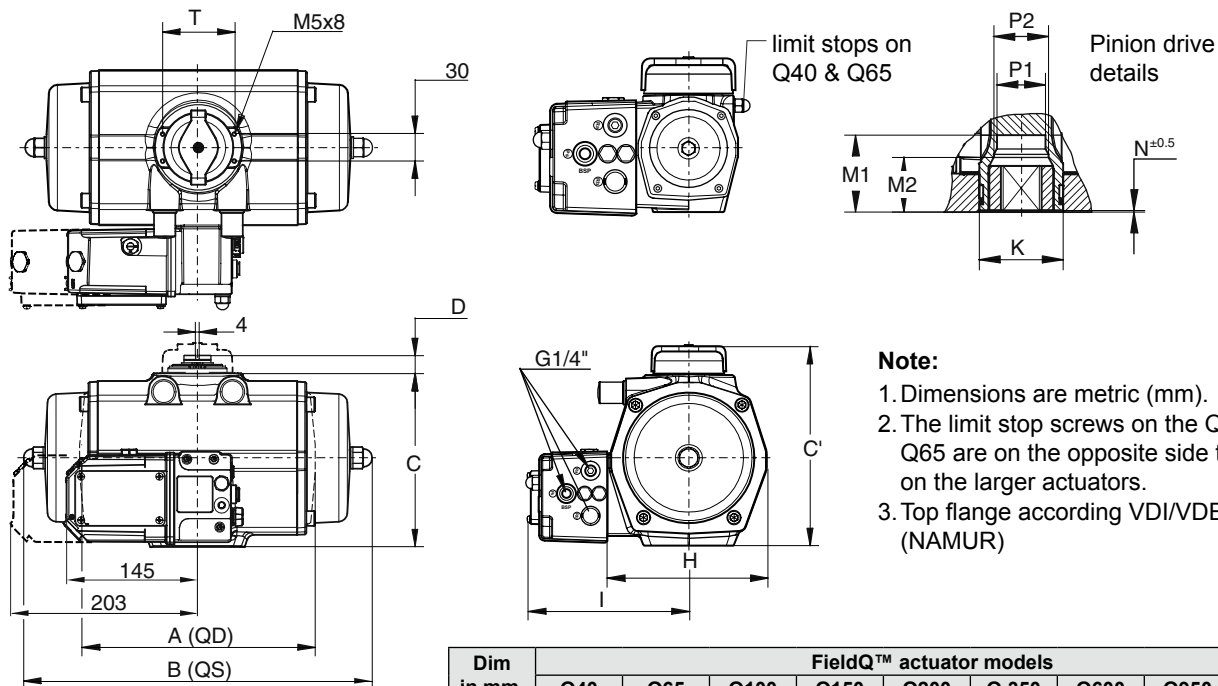
Sheet No.: 1.603.01 - Rev: D

Date: June 2012

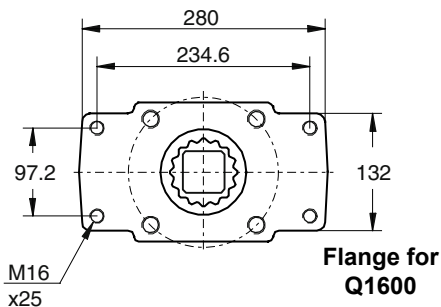
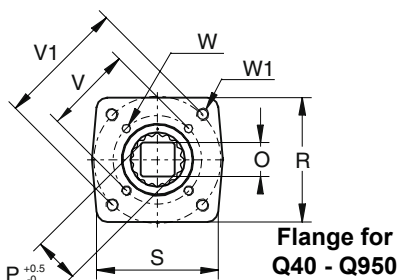
FieldQ

FieldQ Valve Actuator Dimensions

Metric Actuators - ISO5211



145 = Integrated Smart Module
203 = Integrated Base Module



*) Four holes of the F25 ISO Drilling pattern

Note:

1. Dimensions are metric (mm).
2. The limit stop screws on the Q40 and Q65 are on the opposite side to those on the larger actuators.
3. Top flange according VDI/VDE 3845 (NAMUR)

Dim in mm.	FieldQ™ actuator models								
	Q40	Q65	Q100	Q150	Q200	Q 350	Q600	Q950	Q1600
A QD	145	168	181	217	243	262	327	366	447
B QS	204	249	267	310	346	387	416	460	568
C	104	117	141	150	161	191	245	276	337
C'	137	150	175	184	194	225	289	319	380
D	20	20	20	20	20	20	30	30	30
E	56	56	56	65	66	66	84	88	95
F	16	18	18	22	30	30	35	35	45
G	9,5	9	11	10	9	10	19,5	19	28,5
H	90	102	115	129	135	177	209	234	268
I	75	81	88	97	99	119	134	147	164
J	40	40	34	46	45	46	53	40	70
K	33	33	38	55	55	55	68	75	95
M1	34.5	34.5	34.5	50	50	50	52	64	82
M2	-	-	27	-	37	37	-	-	-
N	1	1	1.5	1.0	1.5	1.5	1.5	1.5	1.5
O max.	14.11	14.11	19.13	19.13	22.13	27.13	27.13	36.16	46.16
O min.	14.00	14.00	19.00	19.00	22.00	27.00	27.00	36.00	46.00
P	18.1	18.1	25.2	25.2	28.2	36.2	36.2	48.2	60.2
P1	18.1	18.1	23.1	28.5	32.1	32.1	36.5	48.5	60.5
P2	-	-	25.2	-	36.2	36.2	-	-	-
R	65	70	70	90	90	114	124	130	154
S	65	70	70	90	90	114	124	142	280
T	80	80	80	80	80	80	130	130	130
PCD	F05/F07	F05/F07	F05/F07	F07/F10	F07/F10	F07/F10	F10/F12	F10/F14	F16/F25*
V	50	50	50	70	70	70	102	102	165
V1	70	70	70	102	102	102	125	140	-
W	M6x10	M6x10	M6x10	M8x13	M8x13	M8x13	M10x16	M10x16	M20x30
W1	M8x13	M8x13	M8x13	M10x16	M10x16	M10x16	M12x20	M16x25	-



www.FieldQ.com

Copyright © Emerson Process Management. The information in this document is subject to change without notice. Updated data sheets can be obtained from our web site www.Fieldq.com or from your nearest Valve Automation Center:

America's: +1 813 630 2255 (fax +1 630 9449) Europe: +31 74 256 10 10 (fax +31 74 291 09 38) Asia/Pacific: +65 626 24 515 (fax +65 626 80 028)



EMERSON
Process Management