

# Product data sheet

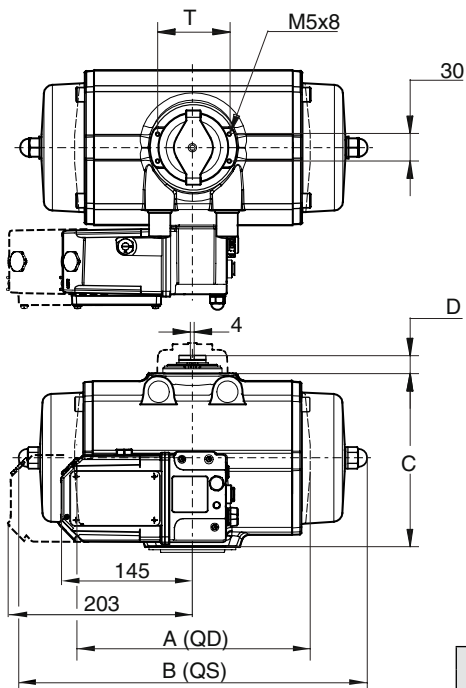
Sheet No.: 1.603.02 - Rev: D

Date: June 2012

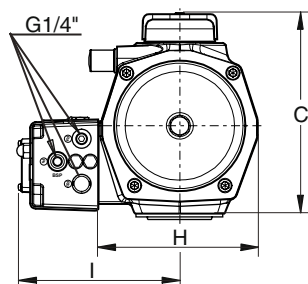
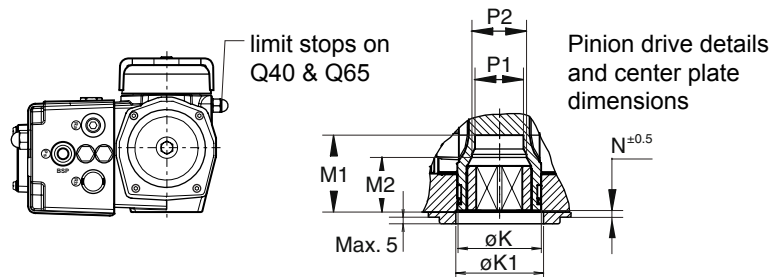
FieldQ

## FieldQ Valve Actuator Dimensions

### Metric Actuators - DIN3337

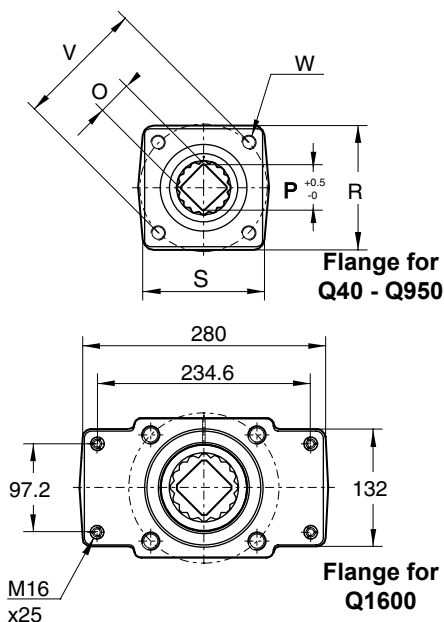


145 = Integrated Smart Module  
203 = Integrated Base Module



**Note:**

1. Dimensions are metric (mm).
2. The limit stop screws on the Q40 and Q65 are on the opposite side to those on the larger actuators.
3. Top flange according VDI/VDE 3845 (NAMUR)



\*) Four holes of the F25 Drilling pattern

Dim in mm.	FieldQ™ actuator models									
	Q40	Q65	Q100	Q150	Q200	Q350	Q600	Q950	Q1600	
A QD	145	168	181	217	243	262	327	366	447	
B QS	204	249	267	310	360	387	477	517	637	
C	104	116,5	141	150	161	191	245	276	337	
C'	137	150,4	175	184	194	225	289	319	380	
D	20	20	20	20	20	20	30	30	30	
E	56	56	56	65	66	66	84	88	95	
F	16	18	18	22	30	30	35	35	45	
G	9,5	14	11	10	9	10	19,5	19	28,5	
H	86	102	108	129	128	173	207	231	265	
I	128	141,8	141	97	149	171	187	200	217	
J	40	40	34	46	45	46	53	40	70	
K	33	33	38	55	55	55	68	75	95	
K1	32	32	40	50	54	54	68	75	95	
M1	34,5	34,5	34,5	50	50	50	52	64	82	
M2	-	-	27	-	37	37	-	-	-	
N	1	1	1,5	1	1,5	1,5	1,5	1,5	1,5	
O max.	14.11	14.11	17.13	17.13	22.13	22.13	27.13	36.16	46.16	
O min.	14.00	14.00	17.00	17.00	22.00	22.00	27.00	36.00	46.00	
P	18.1	18.1	22.2	22.2	28.2	28.2	36.2	48.2	60.2	
P1	18.1	18.1	23.1	28.5	32.1	32.1	36.5	48.5	60.5	
P2	-	-	25,2	-	36,2	36,2	-	-	-	
Q	35	70	55	55	70	70	85	100	130	
R	65	70	70	90	90	114	124	130	154	
S	65	80	70	90	90	114	124	142	280	
T	80	50	80	80	80	80	130	130	130	
PCD F05	F05	F05	F07	F07	F10	F10	F12	F14	F16	
V	50	50	70	70	102	102	125	140	165	
W	M6x10	M6x10	M8x13	M8x13	M10x16	M10x16	M12x20	M16x25	M20x30	
Optional dimensions										
K1'	40	40	32	54	50	50	-	-	-	
Q'	55	35	35	70	55	55	-	-	-	
PCD	F07	F07	F05	F10	F07	F07	F10	F10	F25*	
V'	70	70	50	102	70	70	102	102	-	
W'	M8x13	M8x13	M6x10	M10x16	M8x13	M8x13	M10x16	M10x16	-	



www.FieldQ.com

Copyright © Emerson Process Management. The information in this document is subject to change without notice. Updated data sheets can be obtained from our web site [www.Fieldq.com](http://www.Fieldq.com) or from your nearest Valve Automation Center:

America's: +1 813 630 2255 (fax +1 630 9449) Europe: +31 74 256 10 10 (fax +31 74 291 09 38) Asia/Pacific: +65 626 24 515 (fax +65 626 80 028)



**EMERSON**  
Process Management