

Product data sheet

Sheet No.: 1.603.03 - Rev: B

Date: September, 2006

FieldQ

FieldQ Valve Actuator Options

Drive Inserts

Description

All actuators are fitted with drive inserts. This enables actuators to be directly mounted onto suitable valves and eliminates the need for a bracket and coupling type mounting kit. The use of direct mounts significantly cuts the cost of the valve/actuator assembly.

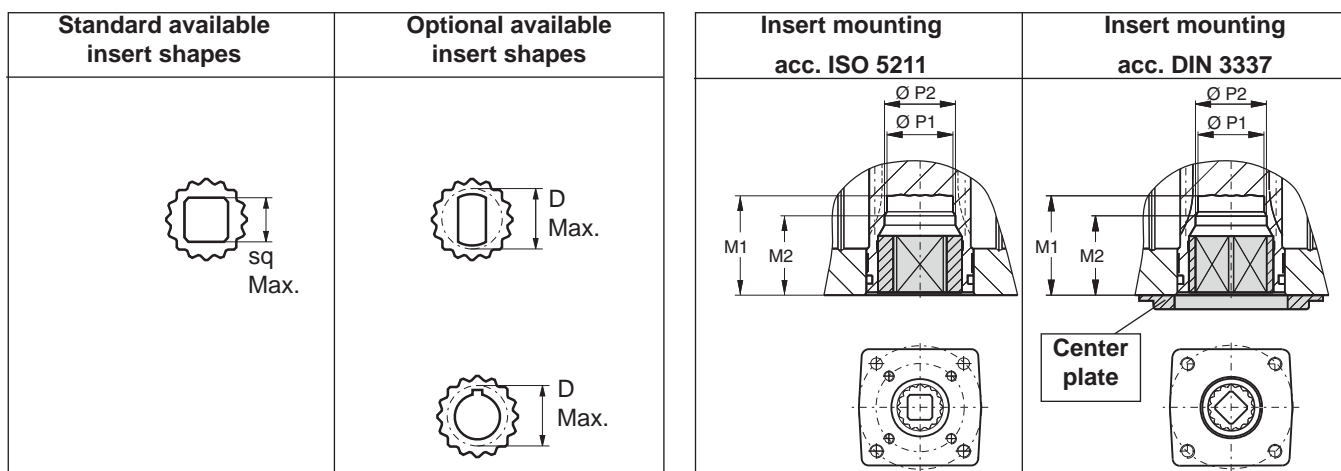
Standard actuators are fitted with square drive inserts in accordance with ISO 5211 (or DIN 3337), but a wide variety of other inserts are also available. Special inserts may have oversize or undersize squares, double-D and shaft key way forms.

Drive inserts can be supplied on factory built actuators or as loose items and are easily replaceable at distributor or end user level.

Where direct mounts are not possible, for instance on valves with exposed gland packing, the use of inserts often simplifies the design of the mounting kit.

Material : Aluminum alloy

Finish : Anodized



	Inserts with inner-square-dimensions per actuator type																	
	Q40		Q65		Q100		Q150		Q200		Q350		Q600		Q950		Q1600	
	mm.	inch	mm.	inch	mm.	inch	mm.	inch	mm.	inch	mm.	inch	mm.	inch	mm.	inch	mm.	inch
	Standard inserts dimensions																	
ISO5211	14	0.551	14	0.551	19	0.748	19	0.748	22	0.866	27	1.063	27	1.063	36	1.417	46	1.811
DIN3337	14	0.551	14	0.551	17	0.669	17	0.669	22	0.866	22	0.866	27	1.063	36	1.417	46	1.811
	Optional insert dimensions																	
	10	0.394	10	0.394	12	0.472	14	0.551	14	0.551	14	0.551	14	0.551	22	0.866	-	-
	12	0.472	12	0.472	14	0.551	16	0.630	16	0.630	16	0.630	16	0.630	-	-	-	-
	-	-	-	-	16	0.630	22	0.866	17	0.669	17	0.669	17	0.669	-	-	-	-
	-	-	-	-	-	-	24	0.945	19	0.748	19	0.748	19	0.748	-	-	-	-
	-	-	-	-	-	-	27	1.063	24	0.945	24	0.945	24	0.945	-	-	-	-
	Maximum insert dimensions																	
M1	34.5	1.36	34.5	1.36	34.5	1.36	50	1.97	50	1.97	50	1.97	50	1.97	65	2.56	81	3.19
M2	-	-	-	-	27	1.06	37.0	1.46	37.0	1.46	37.0	1.46	-	-	-	-	-	-
P1	18.1	0.71	21.2	0.83	23.5	0.93	28.5	1.12	32.2	1.27	32.2	1.27	36.8	1.45	48.3	1.90	60.5	2.38
P2	-	-	-	-	25.2	0.99	36.2	1.43	36.3	1.43	36.3	1.43	-	-	-	-	-	-
Sq max.	16	0.630	16	0.630	19	0.748	27.0	1.063	27.0	1.063	27.0	1.063	27.0	1.063	36.0	1.417	46.0	1.811
D max.	21	0.827	21	0.827	23.6	0.929	33.6	1.323	33.6	1.323	33.6	1.323	33.6	1.323	45.0	1.772	60.0	2.362



www.FieldQ.com

Copyright © Emerson Process Management. The information in this document is subject to change without notice. Updated data sheets can be obtained from our web site www.Fieldq.com or from your nearest Valve Automation Center:

America's: +1 813 630 2255 (fax +1 630 9449) Europe: +31 74 256 10 10 (fax +31 74 291 09 38) Asia/Pacific: +65 626 24 515 (fax +65 626 80 028)



EMERSON
Process Management