

# Product data sheet

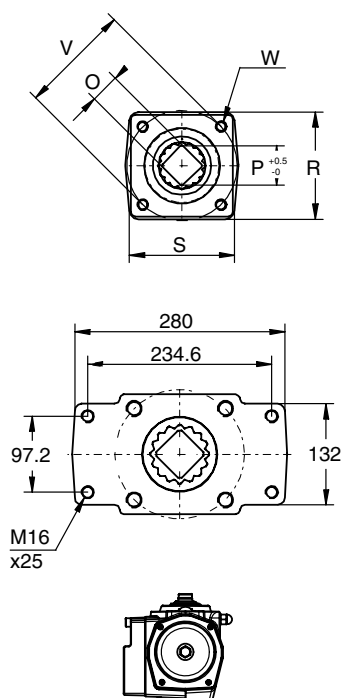
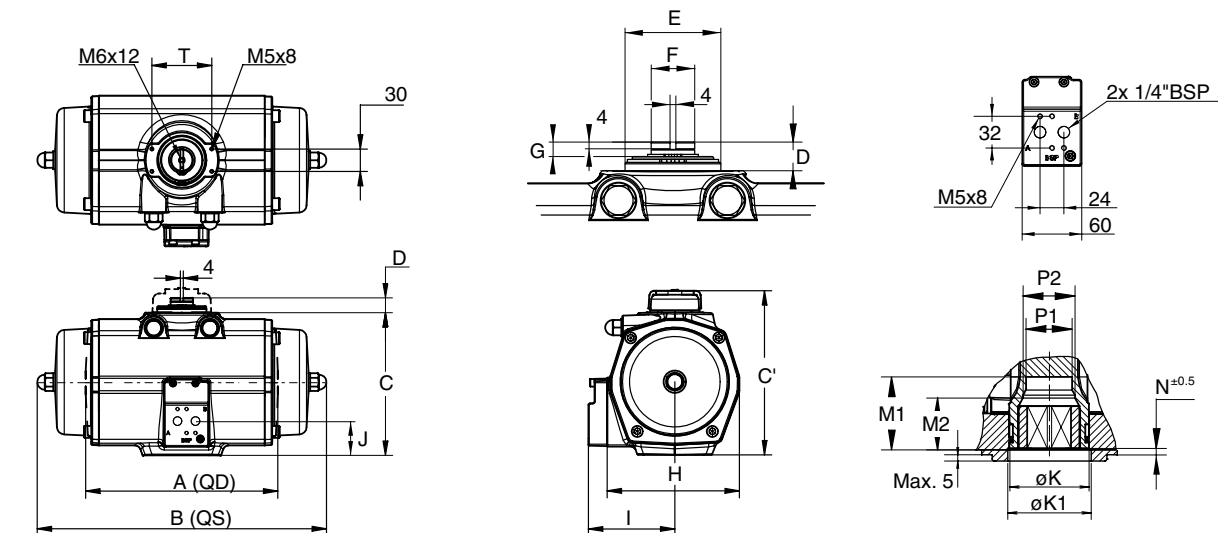
Sheet No.: 1.603.07 - Rev: C

Date: June 2012

FieldQ

## FieldQ Valve Actuator Dimensions

Metric Actuators - DIN3337 / NAMUR plate



Dim	FieldQ™ actuator models								
in mm.	Q40	Q65	Q100	Q150	Q200	Q350	Q600	Q950	Q1600
A QD	145	168	181	217	243	262	327	366	447
B QS	204	249	267	310	360	387	477	517	637
C	104	116,5	141	150	161	191	245	276	337
C'	137	150,4	175	184	194	225	289	319	380
D	20	20	20	20	20	20	30	30	30
E	56	56	56	65	66	66	84	88	95
F	16	18	18	22	30	30	35	35	45
G	9,5	14	11	10	9	10	19,5	19	28,5
H	86	102	108	129	128	173	207	231	265
I	128	141,8	141	97	149	171	187	200	217
J	40	40	34	46	45	46	53	40	70
K	33	33	38	55	55	55	68	75	95
K1	32	32	40	50	54	54	68	75	95
M1	34,5	34,5	34,5	50	50	50	52	64	82
M2	-	-	27	-	37	37	-	-	-
N	1	1	1,5	1	1,5	1,5	1,5	1,5	1,5
O max.	14.11	14.11	17.13	17.13	22.13	22.13	27.13	36.16	46.16
O min.	14.00	14.00	17.00	17.00	22.00	22.00	27.00	36.00	46.00
P	18.1	18.1	22.2	22.2	28.2	28.2	36.2	48.2	60.2
P1	18.1	18.1	23.1	28.5	32.1	32.1	36.5	48.5	60.5
P2	-	-	25.2	-	36.2	36.2	-	-	-
Q	35	70	55	55	70	70	85	100	130
R	65	70	70	90	90	114	124	130	154
S	65	80	70	90	90	114	124	142	280
T	80	50	80	80	80	80	130	130	130
PCD	F05	F05	F07	F07	F10	F10	F12	F14	F16
V	50	50	70	70	102	102	125	140	165
W	M6x	M6x	M8x	M8x	M10x	M10x	M12x	M16x	M20x
	10	10	13	13	16	16	20	25	30
<b>Optional dimensions</b>									
K1'	40	40	32	54	50	50	-	-	-
Q'	55	35	35	70	55	55	-	-	-
PCD	F07	F07	F05	F10	F07	F07	F10	F10	F25*
V'	70	70	50	102	70	70	102	102	-
W'	M8x	M8x	M6x	M10x	M8x	M8x	M10x	M10x	-
	13	13	10	16	13	13	16	16	-



www.FieldQ.com

Copyright © Emerson Process Management. The information in this document is subject to change without notice. Updated data sheets can be obtained from our web site [www.Fieldq.com](http://www.Fieldq.com) or from your nearest Valve Automation Center:

America's: +1 813 630 2255 (fax +1 630 9449) Europe: +31 74 256 10 10 (fax +31 74 291 09 38) Asia/Pacific: +65 626 24 515 (fax +65 626 80 028)



**EMERSON**  
Process Management