

Product data sheet

Sheet No.: 1.606.01 - Rev: C Page 1 of 2
Date: May 2014

FieldQ

FieldQ valve actuator

Parts and materials Actuator and Modules

Description	Qty.	Description	Specification	Notes	
Body	1	Aluminum Alloy	EN AC-AISI10Mg (Cu)	1/5	For material specification of the Pneumatic Modules see page 2
Pinion	1	Aluminum Alloy	EN AW 7075 T6	2	
Upper pinion part	1	Aluminum Alloy	EN AW 7075 T6	2	
Guide band housing	2*	Nylatron	PA6.6 + MoS2	-	Corrosion protection
Washer pinion	2*	CRMZX100	-	-	The applied paint system
Bearing ring	2*	Delrin®	POM	-	has passed a 1000 hour salt
Limit stop cam	1	Steel	42CrMo4V	-	spray test as detailed by
Piston	2	Aluminum Alloy	EN AC-AISI7Mg	6	ASTM B117. For a detailed
End cap QS	2	Aluminum Alloy	EN AC-AISI7Mg	1	description of the Corrosion
End cap QD	2	Aluminum Alloy	EN AC-AISI7Mg	1	protection system see data
Guide band piston	2*	PTFE, Carbon filled	PTFE + 25% C	-	sheet 1.606.05.
O-ring piston	2*	Nitrile Rubber	NBR	-	Temperature ranges
O-ring end cap	2*	Nitrile Rubber	NBR	-	The temperature range
O-ring upper pinion part	1*	Nitrile Rubber	NBR	-	of FieldQ actuators with
O-ring pinion top	1*	Nitrile Rubber	NBR	-	NAMUR plates depends
O-ring pinion bottom	1*	Nitrile Rubber	NBR	-	on the O-ring seals and the
O-ring B-port	2*	Nitrile Rubber	NBR	-	utilized grease.
O-ring retainer bolt	4*	Nitrile Rubber	NBR	-	For a detailed description of
O-ring limit stop bolt	2*	Nitrile Rubber	NBR	-	possible temperature ranges
Outer spring	2	Carbon Spring Steel	EN 10270-1 SH	3	and applied parts, see data
Middle spring	2	Carbon Spring Steel	EN 10270-1 SH	3	sheet 1.605.03
Inner spring	2	Carbon Spring Steel	EN 10270-1 SH	3	Repair kit
Spring retainer	2	Steel	St. DC01 EN10139	4	Parts marked with an * are
Washer spring pack	2	Steel	C35	4	included in the repair kit
Spring pack retainer bolt	2	Stainless Steel	AISI 304 (DIN W nr 1.4301)	-	
Washer	4*	Nylon	PA6	-	
Nut	4	Stainless Steel	AISI 304 (DIN W nr 1.4301)	-	
Nut cover	2	Polyethylene	PE	-	
End cap screws	8	Stainless Steel	AISI 304 (DIN W nr 1.4301)	-	
Retaining ring pinion large	1*	Carbon Spring Steel	C45, DIN 17200	3	
Retaining ring pinion small	1*	Carbon Spring Steel	C45, DIN 17200	3	
Limit stop screw	1	Stainless Steel	AISI 304 (DIN W nr 1.4301)	-	
Indicator cap	1	Nylon	PA6	-	
Indicator arrow	1	Nylon	PA6	-	
Indicator insert	1	Nylon	PA6	-	
Type plate	1	Stainless Steel	AISI 303 (DIN W nr 1.4305)	-	
Hammer drive	1	Stainless Steel	AISI 303 (DIN W nr 1.4305)	-	
Insert	1	Aluminum Alloy	EN AW 6082 T5	5	

Notes

- 1 See Corrosion protection below
- 2 Hard anodized.
- 3 Deltatone® or Epoxy (black) coating.
- 4 Zinc plated and passivated.
- 5 Anodized.
- 6 Chromatized

Control & Pneumatic Modules



www.FieldQ.com

Copyright © Emerson Process Management. The information in this document is subject to change without notice. Updated data sheets can be obtained from our web site www.Fieldq.com or from your nearest Valve Automation Center:

America's: +1 281 477 4100 (fax 477 2809) Europe: +31 74 256 10 10 (fax +31 74 291 09 38) Asia/Pacific: +65 650 14 600 (fax +65 626 80 028)



EMERSON
Process Management

Product data sheet

Sheet No.: 1.606.01 - Rev: C Page 2 of 2
Date: May 2014

FieldQ

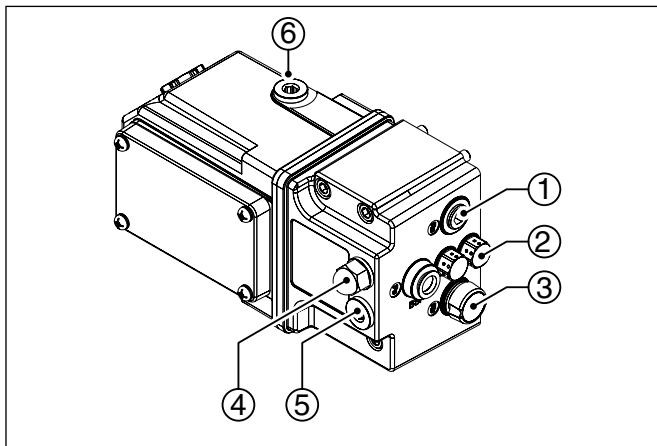
FieldQ valve actuator

Parts and materials Actuator and Modules

Modules QC01, 02, 03, 04

QC11, QC12, QC13, QC14

QC30, QC31 and QC34



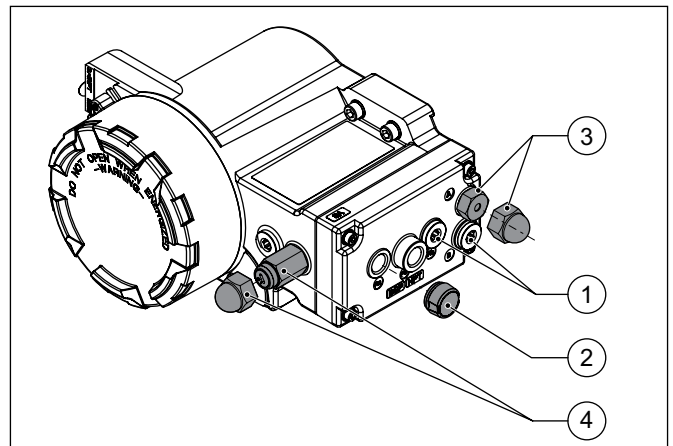
Base Materials

Body: Aluminium
Valve housing: 30% glass-filled Nylon
Finish: Polyester non-TGIC based powder coating
Valve seats: Buna-N
Membrane: Buna-N
Fasteners: Stainless Steel

External parts

1 Plug NPT: Steel, zinc plated
BSP: Brass, nickel plated
2 Vents: Stainless Steel (AISI 303)
3 Exhaust Base: Nylon
Cover: Zinc Nickel plated and transparent passivated
Option: Plastic silencer (nylon)
4 Speed Control:
- Throttle: Stainless Steel (AISI 303)
- Nut Cover: Nylon PA6
5 Plug: Brass Nickel plated
6 Manual Control:
- Plug: Brass Nickel plated
- Push: Red anodized aluminum
- Push & Lock: Red anodized aluminum

Modules QC41, QC42, QC43



Base Materials

Bodies: Aluminium
Finish: 2 Component with an epoxy primer and polyurethane enamel top coating.
Pneumatic cartridge: Aluminium
Valve seats: NBR
Pilot valve cartridge: Housing: Nylon PA6
Switch cartridge: Housing: Nylon PA6
Fasteners: Stainless Steel

External parts

1 Plug NPT: Steel, Nickel plated
2 Exhaust Base: Nylon PA6
Cover: Zinc, Nickel plated and transparent passivated
Option: Plastic silencer (nylon)
3 Speed Control: Stainless Steel (AISI 303)
4 Manual Control: Red anodized aluminum
5 Nut Covers: Nylon PA6



www.FieldQ.com

Copyright © Emerson Process Management. The information in this document is subject to change without notice. Updated data sheets can be obtained from our web site www.Fieldq.com or from your nearest Valve Automation Center:

America's: +1 281 477 4100 (fax 477 2809) Europe: +31 74 256 10 10 (fax +31 74 291 09 38) Asia/Pacific: +65 650 14 600 (fax +65 626 80 028)



EMERSON
Process Management