

Product data sheet

Sheet No.: 1.606.04 - Rev: B

Date: October 2006

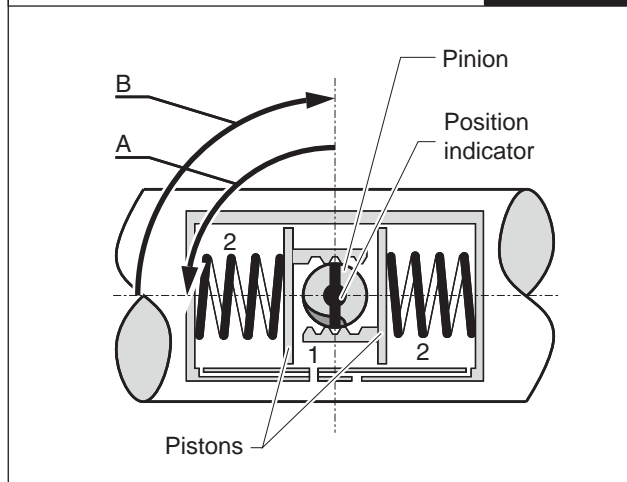
FieldQ

Actuator assembly codes

Single acting (Spring Return) assembly codes

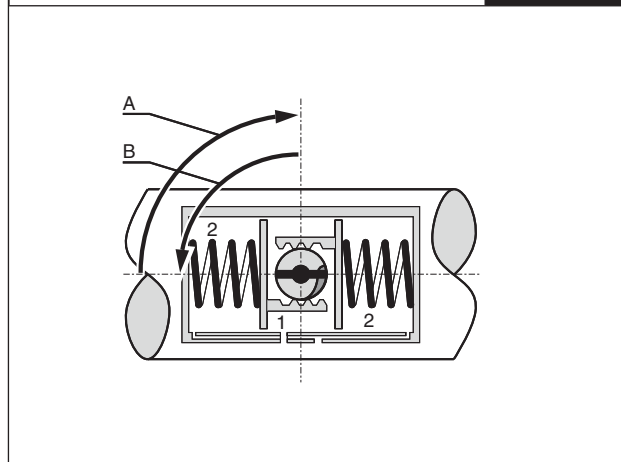
Standard assembly code: (= Clock Wise Rotation / Spring to Close)	CW
---	-----------

Visual indicator mounted: (= for In line position indication)	I
---	----------



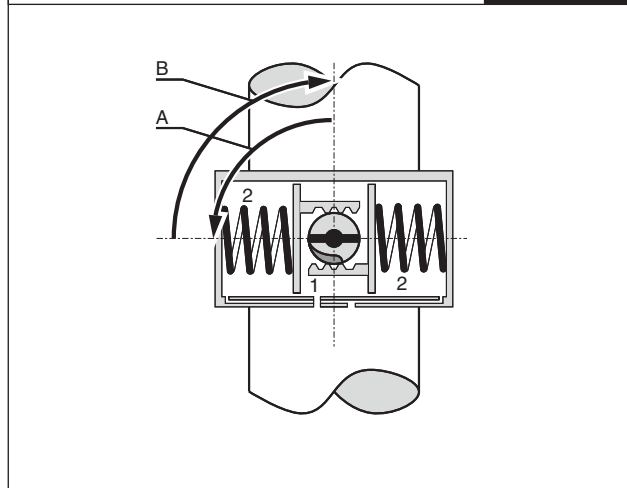
Optional assembly code: (= Counter Clock Wise Rotation/ Spring to Open)	CC
---	-----------

Visual indicator mounted: (= for In line position indication)	I
---	----------



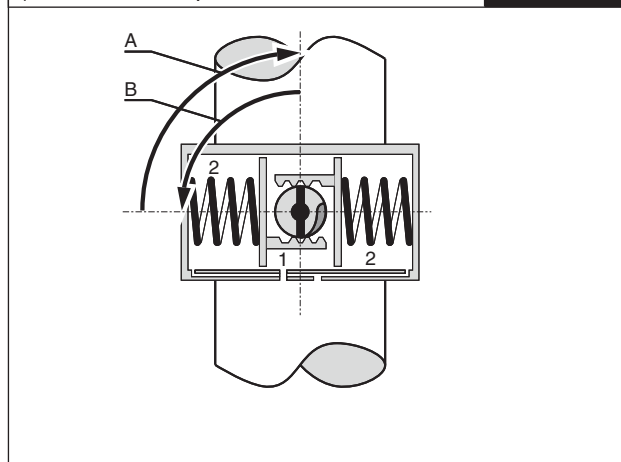
Optional assembly code: (= Clock Wise Rotation / Spring to Close)	CW
---	-----------

Visual indicator mounted: (= for Cross line position indication)	C
--	----------



Optional assembly code: (= Counter Clock Wise Rotation/ Spring to Open)	CC
---	-----------

Visual indicator mounted: (= for Cross line position indication)	C
--	----------



- A = Pilot valve operated in Control Module - Central air chamber (1) pressurized
 B = Pilot valve not operated in Control Module - Spring stroke (2)

All views are from above. Pistons are shown in inner position



www.FieldQ.com

Copyright © Emerson Process Management. The information in this document is subject to change without notice. Updated data sheets can be obtained from our web site www.Fieldq.com or from your nearest Valve Automation Center:

America's: +1 813 630 2255 (fax +1 630 9449) Europe: +31 74 256 10 10 (fax +31 74 291 09 38) Asia/Pacific: +65 626 24 515 (fax +65 626 80 028)



EMERSON
Process Management