

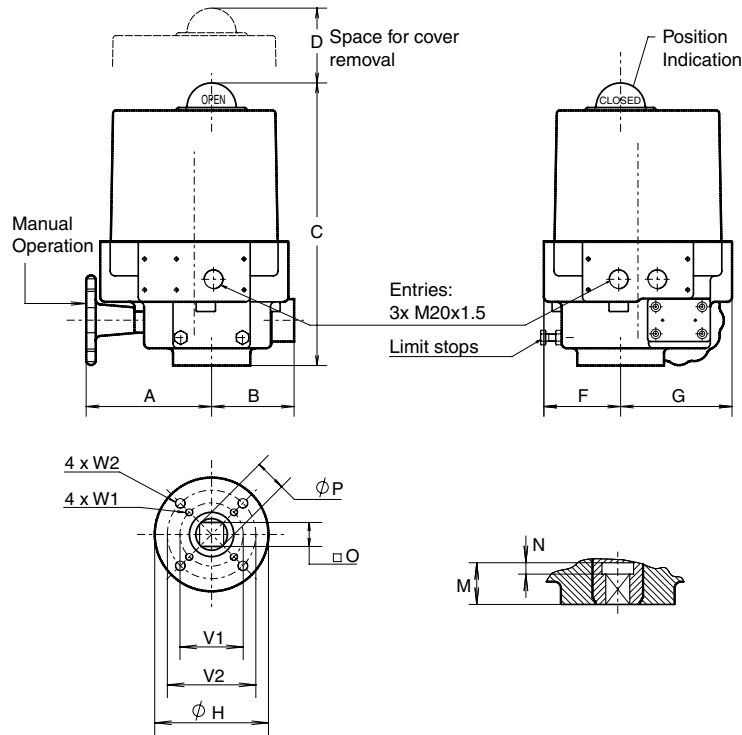
# Data sheet

Sheet No.: 5.103 Rev. C

Date: March 2013

## DIMENSIONS AND TECHNICAL DETAILS - ELECTRIC ACTUATOR

EL



### Description

Type EL electric actuators use worm and wormwheel reduction gearing to provide tight positioning control and the self locking feature necessary for controlling larger valves, in particular butterfly valves.

The housing consists of an aluminium base casting and a steel cover, this contains the drive motor and worm gear assembly, together with the anti-condensation heater and main terminal block.

EL actuators take the full range of control options, they have handwheel geared manual overrides, mechanical end position stops and position indication by a raised dome in the top cover.

### General Specification

- Nominal Rotation : 90° - factory set to  $\pm 3^\circ$
- : Adjustable by limit switches: 10° to 320°
- Enclosure : IP65 (IP67 optional)
- Temperature range : -20° to +70°C
- Electrical connection : By 12 and/or 16 point terminal block
- Finish : Two part polyurethane  
all steel parts zinc plated
- Life : 50,000 cycles minimum
- Limit switches : 4x SPDT V3 micro switches
- Torque switches : 2x SPDT V3 micro switches (Not on EL-55)
- Stall protection : By thermostat in motor windings
- Heater : 10 Watt
- Motor voltages and types
  - DC : 24VDC
  - AC Single phase : 24VAC 50/60Hz  
: 110-130VAC 50/60Hz  
: 220-280VAC 50/60Hz
  - AC Three phase : 380-460VAC 50/60Hz

### Materials

- Housing : Aluminium alloy
- Cover : Steel
- Drivesleeve : Bronze (Cast Iron)
- Fastenings : Stainless steel

**Minimum customer switch or contactor rating 16Amp.**

DIM. mm	EL35 & 55	EL100	EL150	EL200	EL350	EL500	EL800
A	130	135	135	170	170	195	195
B	60	82	82	109	109	128	128
C	265	292	292	315	315	318	356
D	145	165	165	165	165	165	190
3x E	M20x1.5	M20x1.5	M20x1.5	M20x1.5	M20x1.5	M20x1.5	M20x1.5
F	70	77	77	96	96	123	123
G	95	120	120	140.5	140.5	166	166
H	90	90	90	125	125	150	150
M	27.5	33	33	33	33	48	48
N	9	9	9	9	9	-	-
O max.	14.11	19.11	19.11	19.11	19.11	27.13	27.13
O min.	14.00	19.00	19.00	19.00	19.00	27.00	27.00
P	18	25	25	25	25	36	36
V1	50	50	50	70	70	102	125
V2	70	70	70	102	102	-	-
W1	M6x12	M6x12	M6x12	M8x15	M8x15	M10x18	M12x20
W2	M8x15	M8x15	M8x15	M10x18	M10x18	-	-

Performance		EL35	EL55	EL100	EL150	EL200	EL350	EL500	EL800
Torque (Nm)	Break	35	55	100	150	200	350	500	800
	Run	12.7	20	35	53	70	123	175	280
Speed (Sec.)	50Hz	6	6	7.5	9	13.5	22	25.5	25.5
	110V AC	1.1	-	2.9	2.9	2.9	2.9	2.9	4.5
	230V AC	-	0.6	1.7	1.7	1.7	1.7	1.7	2.3
Current (A) (Max.)	24V DC	-	5	8	8	8	8	8	-
	110V AC	100	-	225	225	225	225	225	315
	230V AC	-	72	200	200	200	200	200	305
Power (W)	24V DC	-	45	118	118	118	118	118	-
	Switches-Indication		4x16A	4x16A	4x16A	4x16A	4x16A	4x16A	4x16A
	Torque SPDT at 110/240VAC		-	-	2x16A	2x16A	2x16A	2x16A	2x16A
Weight (Kg.)		6	6	11	11	16.5	17	25.5	26
Duty rating		30%	30%	30%	30%	30%	30%	30%	30%

**EL-O-MATIC**

www.El-O-matic.com

Copyright © Emerson Process Management. The information in this document is subject to change without notice.

Updated data sheets can be obtained from our website [www.El-O-matic.com](http://www.El-O-matic.com) or from your nearest Valve Automation Center **USA: +1 813 319 0266 Europe: +31 74 256 10 10 Asia-Pacific: +65 6501 4600**



**EMERSON**  
Process Management