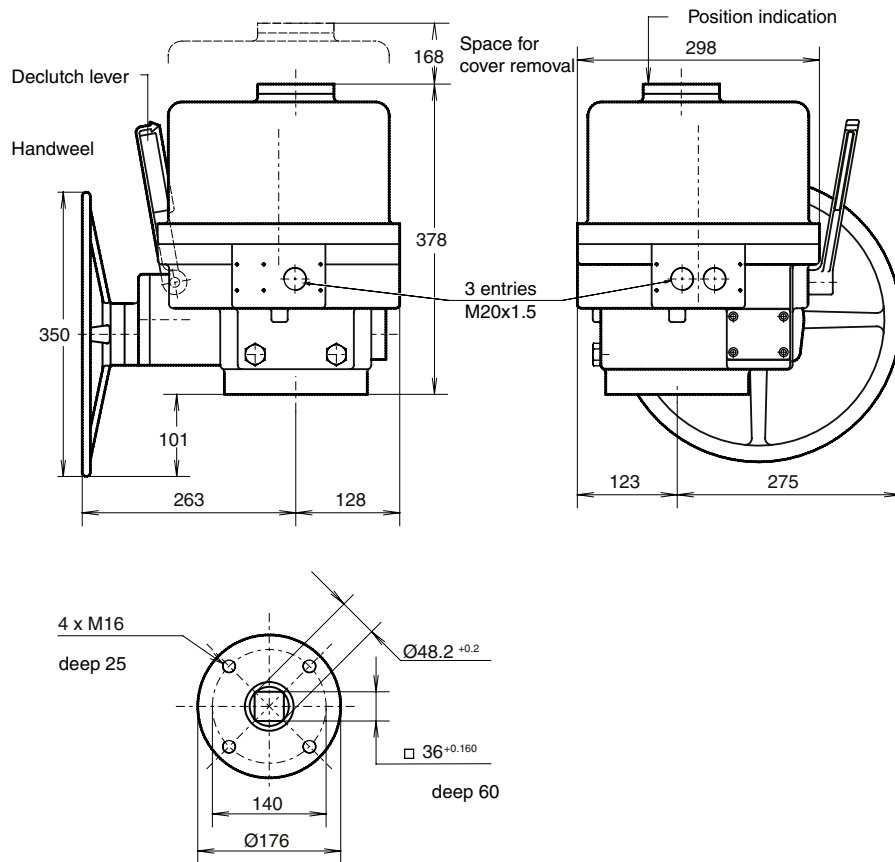


Data sheet

Sheet No.: 5.103.2 Rev. A

Date: November 2009

DIMENSIONS AND TECHNICAL DETAILS EL 1200/1600



Description

EL-1200 actuators use worm and wormwheel reduction gearing to provide tight positioning control and the self locking feature necessary for controlling larger valves, particularly butterfly types.

The housing is of two aluminium castings, it contains the drive motor and worm gear assembly, together with the anti-condensation heater and main terminal strip.

EL-1200 actuator takes the full range of control options, it has mechanical end position stops and torque switches. Visual position indication is by a window in the top cover.

A geared manual override is fitted as standard, it is engaged by means of a declutching lever. When the motor is energized the unit automatically returns to motor operation, thus ensuring operator safety.

General Specification

Nominal Rotation	: 90° - factory set to $\pm 3^\circ$
	: Adjustable by limit switches: 10° to 320°
Enclosure	: IP-67
Temperature range	: -20° to +70° C
Electrical connections	: By 12 and 16 point internal terminal strip
Cable entries	: 3x M20x1.5
Life	: 50.000 operations minimum
Heater	: 10 Watt
Voltages	
Single phase	: 110-130V 50Hz or 60Hz
	: 220-240V 50Hz or 240-280V 60Hz
Three phase	: 380-415V 50Hz or 415-460V 60Hz
Other voltages	: On request
Stall protection	: By torque switches and motor thermostat

Minimum customer switch or contactor rating 16Amp.

Materials

Housing	: Aluminium alloy
Cover	: Aluminium alloy
Fastenings	: Stainless steel
Finish	: Two part polyurethane

Voltage/phase/Hz.		120/1/60	230/1/50	380/3/50	460/3/60
Current (A)	break	14	7	2.8	1.1
	run	5.8	2.5	0.6	0.72
Power consumption (W)		535	450	220	266
Power factor		0.83	0.92	0.55	0.53
Operation time	(sec.)	21.5	25.5	25.5	21.5

Technical data		EL1200	EL1600
Torque (Nm)	Break	1200 Nm	1600 Nm
	Run	420 Nm	560 Nm
Limit switches	4x SPDT	16A	16A
Torque switches	2x SPDT	16A	16A
Weight Kg		37	37
Duty		30%	30%
Drive sleeve		Cast Iron	Bronze

EL-O-MATIC™

www.El-O-matic.com

Copyright © Emerson Process Management. The information in this document is subject to change without notice.

Updated data sheets can be obtained from our website www.El-O-matic.com or from your nearest Valve Automation Center **USA**: +1 813 319 0266 **Europe**: +31 74 256 10 10 **Asia-Pacific**: +65 6501 4600



EMERSON™
Process Management