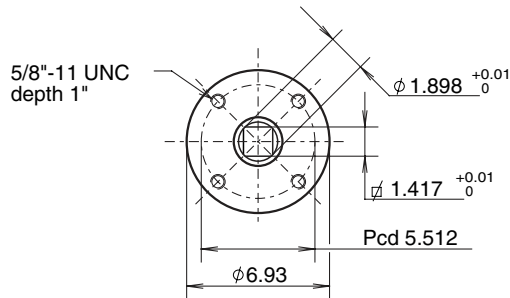
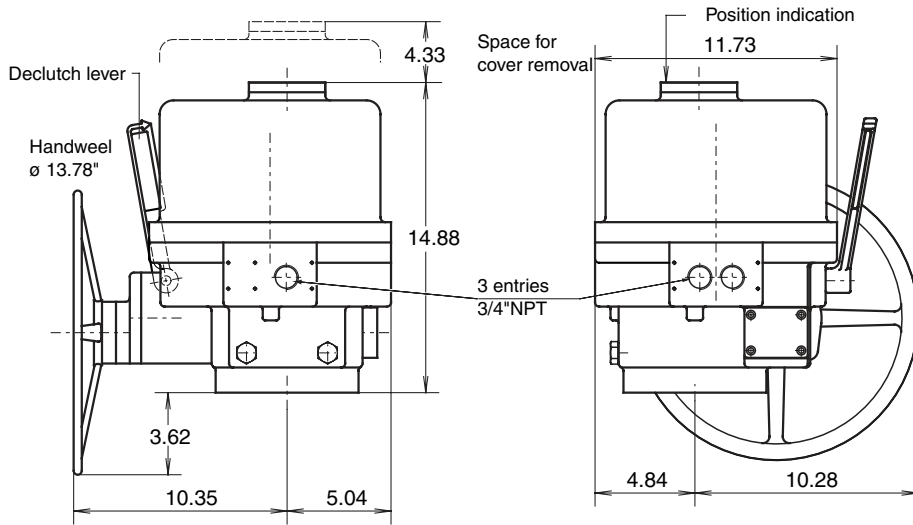


# Data sheet

Sheet No.: A5.103.2 Rev.A  
Date: November 2009

## DIMENSIONS AND TECHNICAL DETAILS EL 1200/1600



| Voltage/phase/Hz.     |        | 120/1/60 | 230/1/50 | 380/3/50 | 460/3/60 |
|-----------------------|--------|----------|----------|----------|----------|
| Current (A)           | break  | 14       | 7        | 2.8      | 1.1      |
|                       | run    | 5.8      | 2.5      | 0.6      | 0.72     |
| Power consumption (W) |        | 535      | 450      | 220      | 266      |
| Power factor          |        | 0.83     | 0.92     | 0.55     | 0.53     |
| Operation time        | (sec.) | 21.5     | 25.5     | 25.5     | 21.5     |

### Description

EL-1200 actuators use worm and wormwheel reduction gearing to provide tight positioning control and the self locking feature necessary for controlling larger valves, particularly butterfly types.

The housing is of two aluminum castings, it contains the drive motor and worm gear assembly, together with the anti-condensation heater and main terminal strip.

EL-1200 actuator takes the full range of control options, it has mechanical end position stops and torque switches. Visual position indication is by a window in the top cover.

A geared manual override is fitted as standard, it is engaged by means of a declutching lever. When the motor is energized the unit automatically returns to motor operation, thus ensuring operator safety.

### General Specification

|                        |  |
|------------------------|--|
| Nominal Rotation       | : 90° - factory set to $\pm 3^\circ$         |
|                        | : Adjustable by limit switches: 10° to 320°  |
| Enclosure              | : NEMA 4                                     |
| Temperature range      | : -4° to +158° F                             |
| Electrical connections | : By 12 and 16 point internal terminal strip |
| Cable entries          | : 3x 1" NPT (optional 3x M25 or 3x PG21)     |
| Life                   | : 50.000 operations minimum                  |
| Heater                 | : 10 Watt                                    |
| Voltages               |  |
| - Single phase         | : 110-130V 50Hz or 60Hz                      |
|                        | : 220-240V 50Hz or 240-280V 60Hz             |
| - Three phase          | : 380-415V 50Hz or 415-460V 60Hz             |
| Other voltages         | : On request                                 |
| Stall protection       | : By torque switches and motor thermostat    |

**Minimum customer switch or contactor rating 16Amp.**

### Materials

|            |                         |
|------------|-------------------------|
| Housing    | : Aluminum alloy        |
| Cover      | : Aluminum alloy        |
| Fastenings | : Stainless steel       |
| Finish     | : Two part polyurethane |

| Technical data  |         | EL1200       | EL1600        |
|-----------------|---------|--------------|---------------|
| Torque (Nm)     | Break   | 10621 in. lb | 14161 in. lb. |
|                 | Run     | 3717 in. lb. | 4956 in. lb.  |
| Limit switches  | 4x SPDT | 16A          | 16A           |
| Torque switches | 2x SPDT | 16A          | 16A           |
| Weight Kg       |         | 81.6         | 81.6          |
| Duty            |         | 30%          | 30%           |
| Drive sleeve    |         | Cast Iron    | Bronze        |

**EL-O-MATIC™**

www.El-O-matic.com

Copyright © Emerson Process Management. The information in this document is subject to change without notice.

Updated data sheets can be obtained from our website [www.El-O-Matic.com](http://www.El-O-Matic.com) or from your nearest Valve Automation Center **USA:** +1 813 319 0266 **Europe:** +31 74 256 10 10 **Asia-Pacific:** +65 6501 4600



**EMERSON™**  
Process Management