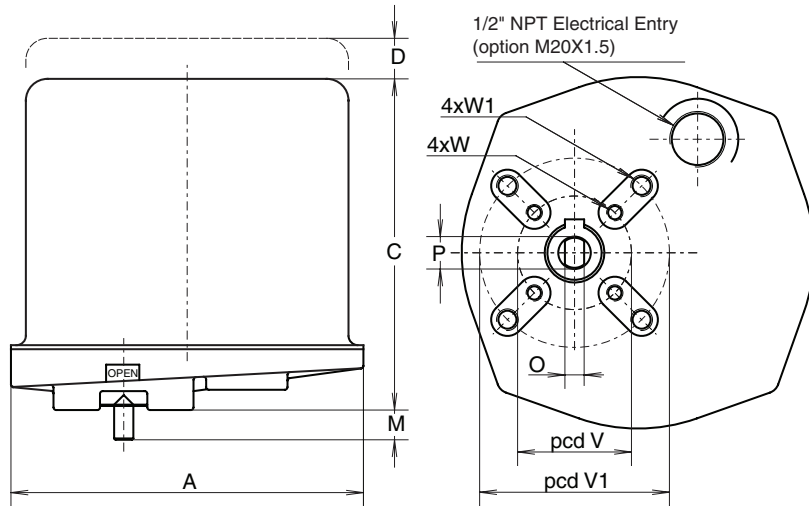


Data sheet

Sheet No.: A5.104 Rev. 0
Date: March 2013

DIMENSIONS AND TECHNICAL DETAILS - ELECTRIC ACTUATOR

ELS



Bottom view

Dim in inches	ELS18		ELS25	
A	5.12		6.18	
C	4.82		5.31	
D	3.35		3.94	
M	0.44		0.51	
O	0.279	+0,002 -0,000	0.394	+0,000 -0,004
P	0.437	+0,002 -0,000	0.472	+0,000 -0,004
Vstd	2.114		1.969	
V1	-		2.756	
W	10-24UNC x .43		10-24UNC x .47	
W1	-		5/16-18UNC x .59	
Performance				
Torque (lb-in.)	Break	159	221	
	Run	124	177	
Speed (sec.)	50Hz	5.5	7.5	
Current (A)	120V AC	0.55	0.6	
	230V AC	0.1	0.3	
Weight (lb.)	4.9		6.2	

Description

Compact electrical actuators, especially designed for small two and three way ball valves and similar drives requiring 90 or 180 degrees of rotation from a single phase or DC. electrical supply.

The water tight, aluminum alloy housing with steel cover, contains the drive motor and spur gear box assembly together with the anti-condensation heater and main terminal strip. Two limit switches provide for position limiting and remote position indication, space is allowed for two extra switches or a potentiometer for additional position feed back.

General Specification

Rotation	: 90°
	: Adjustable by limit switches: 10° to 320°
Enclosure	: NEMA 4 (CSA approved)
Temperature	: -4° to +158°F
Electrical connections	: By 8 point internal terminal strip
Voltages	: 24VDC or 24VAC
	Single phase
Duty rating	: 50%
Stroke limitation	: By limit switches
Visual indication	: By direction arrow on the drive spindle
Indication switches	: 2, at 10 or 16 Amp. (at 120/240V AC) SPDT
Stall protection	: By motor thermostat

Minimum Switch

Contactor Rating	: 16A
Materials	: Base plate : Aluminum alloy
	: Cover : Steel
	: Drive spindle : Stainless steel
	: Fastenings, etc. : Stainless steel

Finish

Life	: Two part polyurethane finish
Heater	: 100,000 operations minimum
Options	: 10 Watt (Option)
	: Extra switches, potentiometer

EL-O-MATIC™

www.El-O-matic.com

Copyright © Emerson Process Management. The information in this document is subject to change without notice.

Updated data sheets can be obtained from our website www.El-O-Matic.com or from your nearest Valve Automation Center **USA:** +1 813 319 0266 **Europe:** +31 74 256 10 10 **Asia-Pacific:** +65 6501 4600



EMERSON™
Process Management