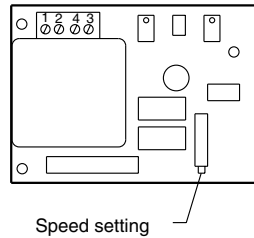
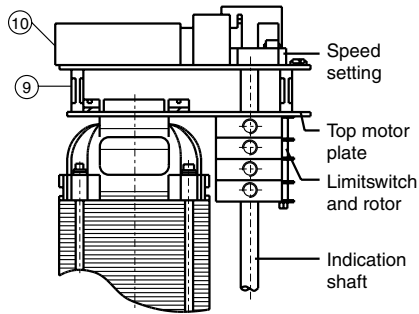


Data sheet

Sheet No.: A5.204 Rev.A
Date: November 2009

EL ACTUATOR WITH SPEED CONTROL TIMER - AC (Kit option)

SC



PC no	No req	Description	Used on
9	3	Print spacer	EL55
9	3	Spacer/screw	EL100/2500
10	1	Speed control board	EL55 EL100/2500

Description

This electric actuator variation has the addition of an electronic card, this is provided complete with a dual voltage (AC.) power supply, a trimmer for motor pulse adjustments and a triac for motor switching.

The circuit provides a timed ON/OFF switching cycle. The ON pulse is fixed at 0.5 sec and the OFF pulse is adjustable via the trimmer.

This adjustment is easily carried out with a small screwdriver, with the cover removed.

Construction

The circuit board is located on top of the motor plate and is wired directly to the terminal strip.

Specification

Voltage : 120 or 220V 50/60 Hz.

Temperature : -4°F to +158°F

Speed	Model	Min. sec.	Max. sec.
EL 55		11.5	255
EL 100		13.5	298
EL 150		17.0	383
EL 200		25.5	574
EL 350		41.5	936
EL 500		48.5	1085
EL 800		48.5	1085
EL 1200		48.5	1085
EL 1600		48.5	1085
EL 2500		53.0	1191

Identification

Factory Option : Add "+ SC" to the basic actuator size

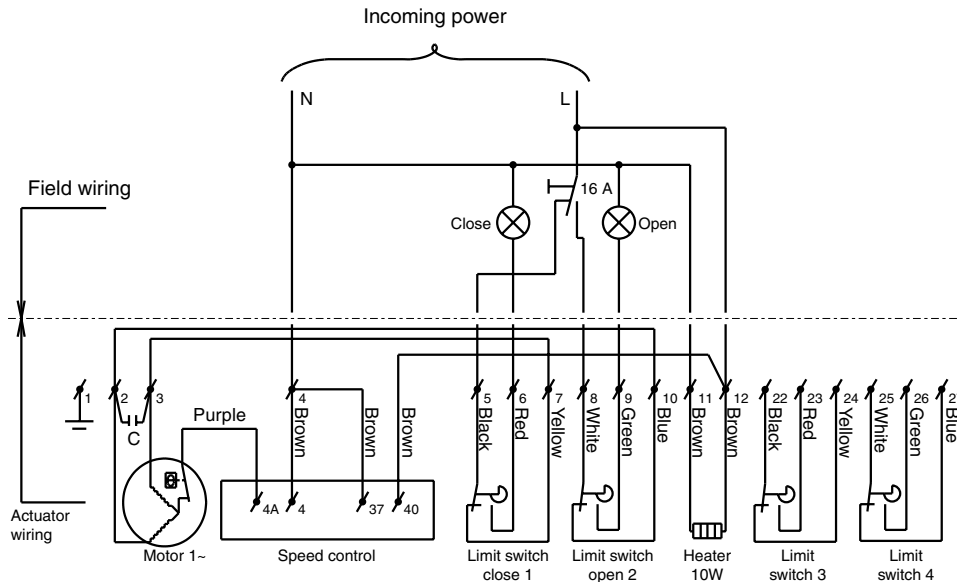
: eg. EL100 220/60 + SC

Kit Option

: Actuator size is added to: "Kit, SC"

: eg. Kit, SC/EL100 120/60

- Note**
- 1) When supplied as a kit option, all the components as shown are included, together with an instruction sheet
 - 2) Wiring diagram is shown with actuator in mid position
 - 3) Wiring diagram for EL55 120V/60Hz + SC



www.El-O-matic.com

Copyright © Emerson Process Management. The information in this document is subject to change without notice.

Updated data sheets can be obtained from our website www.El-O-Matic.com or from your nearest Valve Automation Center **USA:** +1 813 319 0266 **Europe:** +31 74 256 10 10 **Asia-Pacific:** +65 6501 4600



EMERSON
Process Management