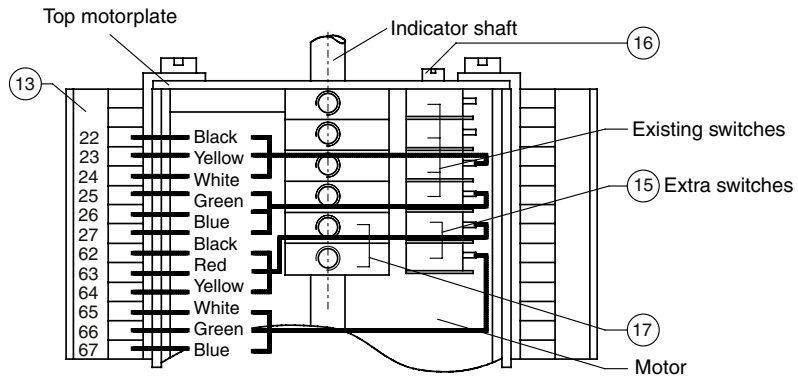


Data sheet

Sheet No.: 5.201 Rev. A
Date: November 2009

EL ACTUATOR WITH TWO EXTRA SWITCHES (Kit option)

XS



Description

This electric actuator variation has the addition of two extra switches, to obtain the total of 4 spare switches. This provides additional indication of the actuator (and therefore valve) position by means of a completely separate circuit.

Construction

The two new switches are fitted below the existing limit switches and are driven by their own cams on the indicator shaft.

The two new switches are wired to the terminal strip (13) and may be wired externally by one of the spare electrical entries. This is particularly important if the indication voltage is different from the power voltage.

Specification

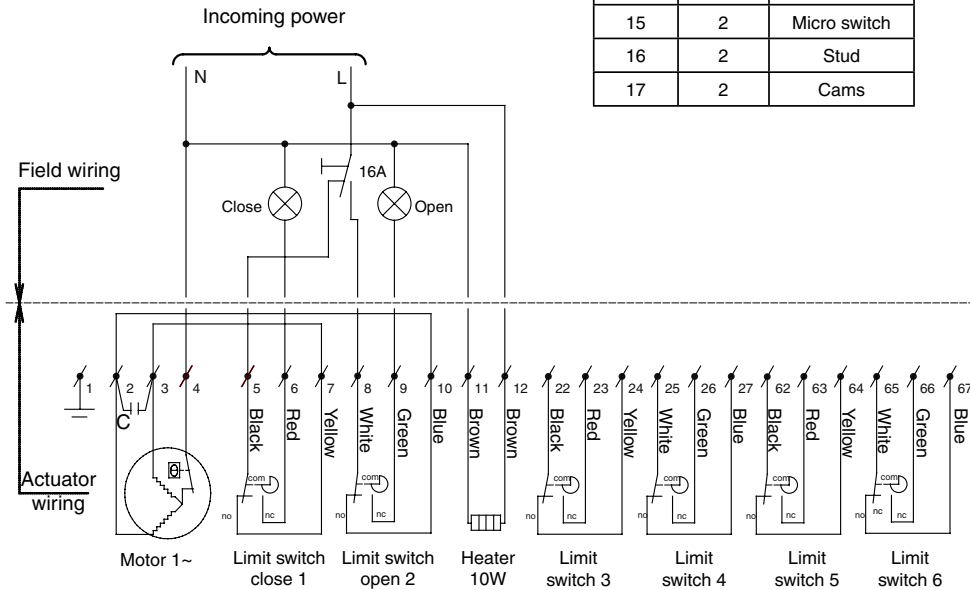
Switches	Type	: V3
	Model	: V-162-1A5
	Voltage	: Up to 250V
	Current	: 16A max.
	Temperature	: -25°C to +80°C

Identification

- Factory Option : Add "+ XS" to the basic actuator size
: eg. EL100 220/50 + XS
- Kit Option : Actuator size is added to: "Kit, XS"
: eg. Kit, XS/EL 55 220/50

- Note**
- 1) When supplied as a kit option, all the components as shown are included, together with an instruction sheet
 - 2) Wiring diagram is shown with actuator in mid position
 - 3) Wiring diagram for EL55 220V 50Hz + XS

PC no	No req	Description
13	1	Marking tag
15	2	Micro switch
16	2	Stud
17	2	Cams



EL-O-MATIC

www.El-O-matic.com

Copyright © Emerson Process Management. The information in this document is subject to change without notice.

Updated data sheets can be obtained from our website www.El-O-matic.com or from your nearest Valve Automation Center **USA**: +1 813 319 0266 **Europe**: +31 74 256 10 10 **Asia-Pacific**: +65 6501 4600



EMERSON
Process Management