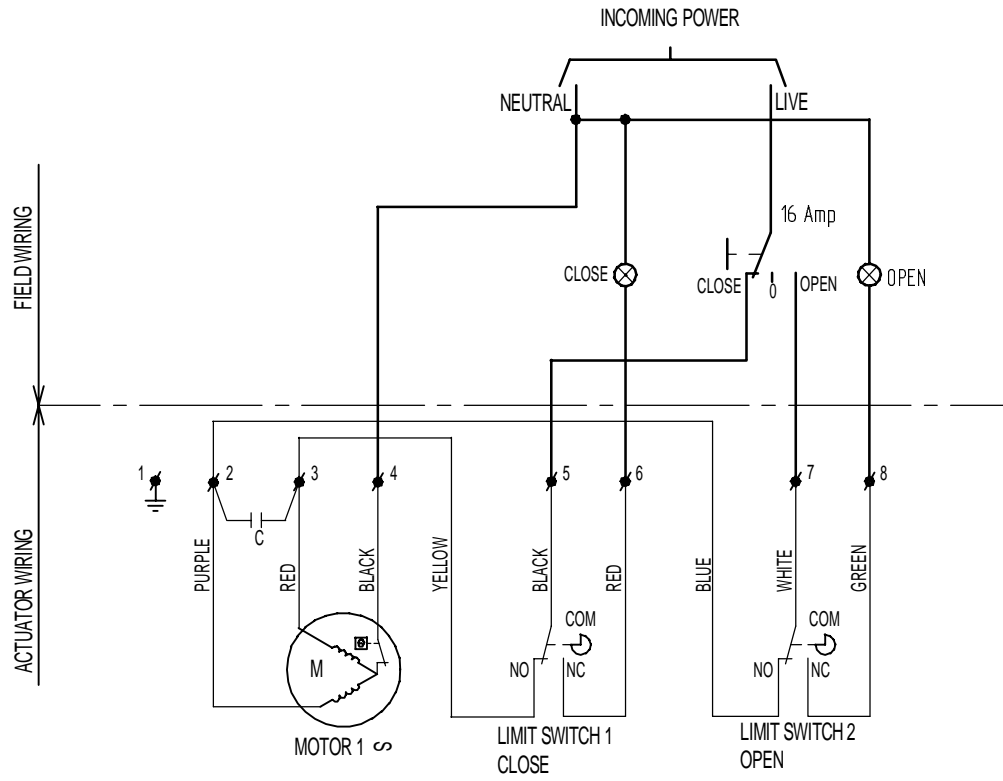


TOLERANCE LIMITS X = ± 0.5
 UNLESS OTHERWISE SPECIFIED XX = ± 0.25
 SPELLED XXX = ± 0.1
 ANGULAR = ± 1/2
 - UNLESS OTHERWISE SPECIFIED
 DIMENSIONS ARE IN MILLIMETERS
 - REPEAT ALL BUBBS AND
 SPARK CONNECTIONS



IMPORTANT
 Each actuator must be powered through its own individual switch or relay contacts to avoid cross feed between two or more actuators.

LIMIT SWITCHES SHOWN IN MID STROKE

EL-O-MATIC INTERNATIONAL LOCATION: HENGELD 101, THE NETHERLANDS		Format : A3	Drw. : AB	Scale : -	Date : 05/10/2000
		Title : Wiring diagram on/off control 1Phase, ELS18-25 WP			ENOC nr. : H-0747 / 18/01/2001 Date : State : Released
Treatment : -				Dr/wirt. : 990.40.021	