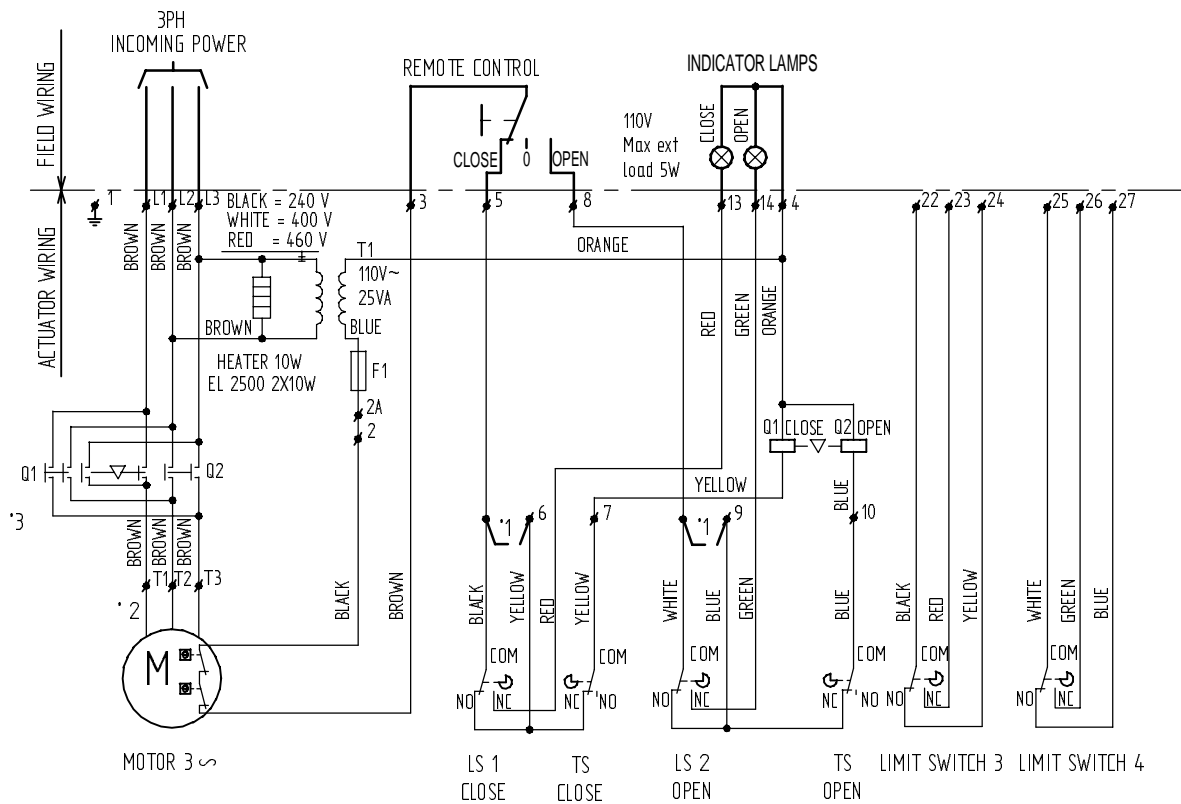


TOLERANCE LIMITS X = ± 0.5  
 XX = ± 0.25  
 XXX = ± 0.1  
 UNLESS OTHERWISE SPECIFIED  
 DIMENSIONS ARE IN MILLIMETERS  
 - REPEAT ALL BORDS AND  
 SPARE CONNECTIONS  
 ANGULAR = ± 0.2



- \*1 LINK FOR TORQUE SEATED VALVES
- \*2 MOTOR WIRING  
 EL 100/150    EL 200/2500  
 T1 = BLUE    T1 = BROWN  
 T2 = BLACK    T2 = BLACK  
 T3 = BROWN    T3 = BLUE
- \*3 EL 1200 - EL 2500  
 Q1/Q2: USE 16A RELAY CONTACTS

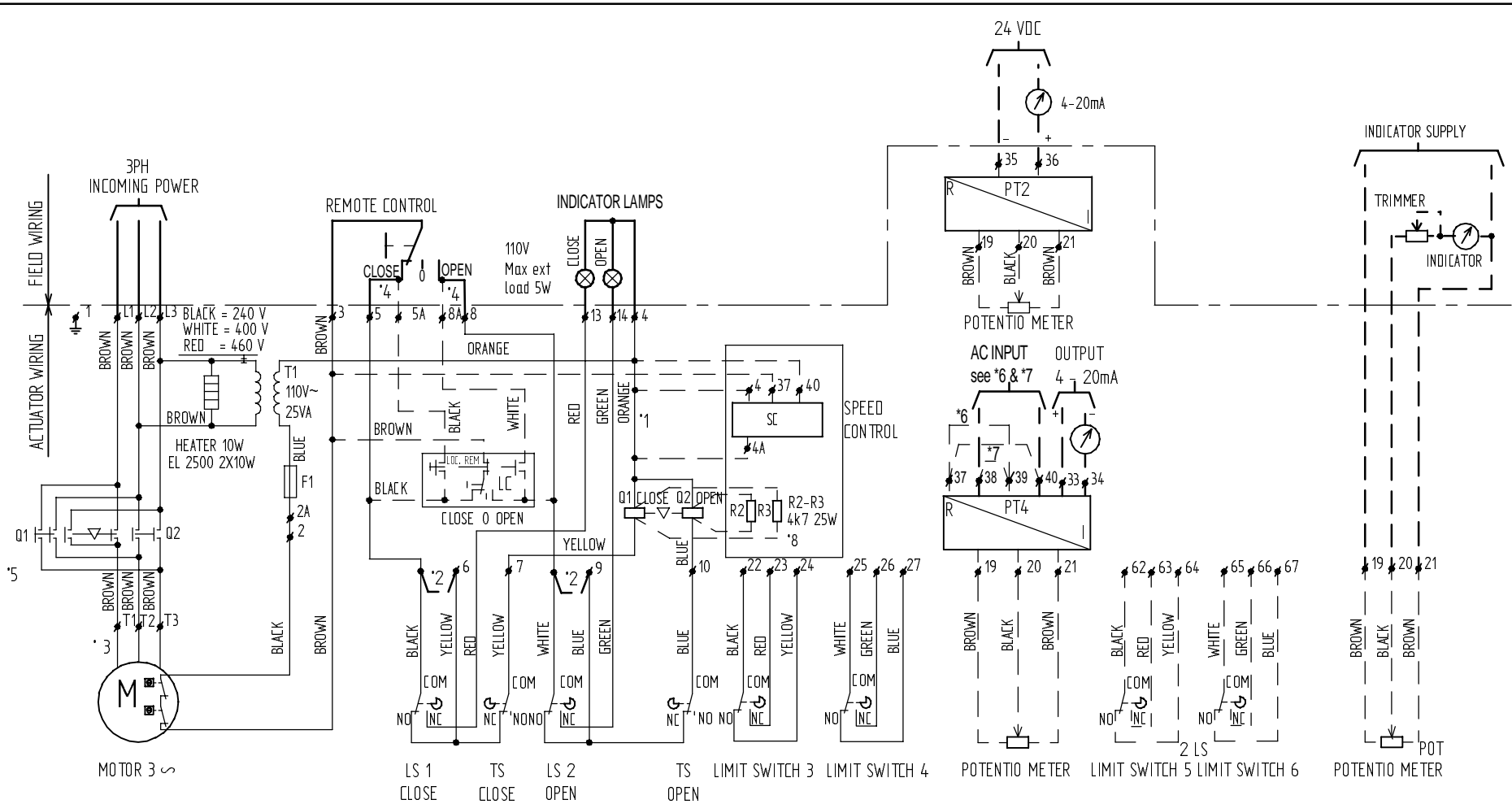
**LIMIT SWITCHES SHOWN IN MID STROKE**

**IMPORTANT**

Each actuator must be powered through its own individual switch or relay contacts to avoid cross feed between two or more actuators

<b>ELO-MATIC</b> INTERNATIONAL LOCATION: HENGELD 101, THE NETHERLANDS		Format : A3	Dir. : AB	Scale : -	Date : 05/10/2000
Material : -		Title : <b>Wiring diagram basic</b> motor 3PH, EL100-EL2500 + integral WP/XP			ENC nr. : H-0786 / 03/07/2001 Date : Par. : RS
Treatment : -		990.40.033 page 1 of 2			State : Released Rev. : B

TOLERANCE LIMITS X = ± 0.5  
 UNLESS OTHERWISE SPECIFIED  
 UNLESS OTHERWISE SPECIFIED  
 DIMENSIONS ARE IN MILLIMETERS  
 - REPEATED DIMENSIONS AND  
 SPELLED: SHOWN IN DOTTED LINES  
 ANGULAR = ± 0.2



- \*1 NO WIRE BY SPEED CONTROL SC
- \*2 LINK FOR TORQUE SEATED VALVES
- \*3 MOTOR WIRING  
 EL 100/150    EL 200/2500  
 T1 = BLUE    T1 = BROWN  
 T2 = BLACK    T2 = BLACK  
 T3 = BROWN    T3 = BLUE
- \*4 CLOSE TO 5A OPEN TO 8A BY LOCAL CONTROL LC
- \*5 EL 1200 - EL 2500  
 Q1/Q2: USE 16A RELAY CONTACTS
- \*6 LINK PT4 FOR 220V NR 37 & 39
- \*7 LINK PT4 FOR 110V NR 37& 40/ 38 & 39
- \*8 RESISTORS ONLY IN COMBINATION WITH SPEEDCONTROL

**LOCAL CONTROL EX**  
 IN EXPLOSION PROOF EXECUTION  
 BOTH LOCAL/REMOTE AND  
 CLOSE/STOP/OPEN SWITCHES ARE  
 COMBINED INTO ONE SWITCH

**LIMIT SWITCHES SHOWN IN MID STROKE**  
 KIT OPTIONS, LC\_POT\_2LS\_PT2\_PT4\_SC, ONLY ON ORDER  
 KIT OPTIONS ARE SHOWN IN DOTTED LINES

**IMPORTANT**  
 Each actuator must be powered through  
 its own individual switch or relay contacts  
 to avoid cross feed between two or more  
 actuators

<b>ELO-MATIC</b> INTERNATIONAL LOCATION: HENGELD 101, THE NETHERLANDS		Format : A3	Dra. : AB	Scale : -	Date : 05/10/2000
Material : -		Title : <b>Wiring diagram options</b> motor 3PH, EL100-EL2500 + integral WP/XP			ENOC nr. : H-0786 / 03/07/2001 Date : State : Released
Treatment : -		Dr/writ. : 990.40.033			page 2 of 2 Rev. : B