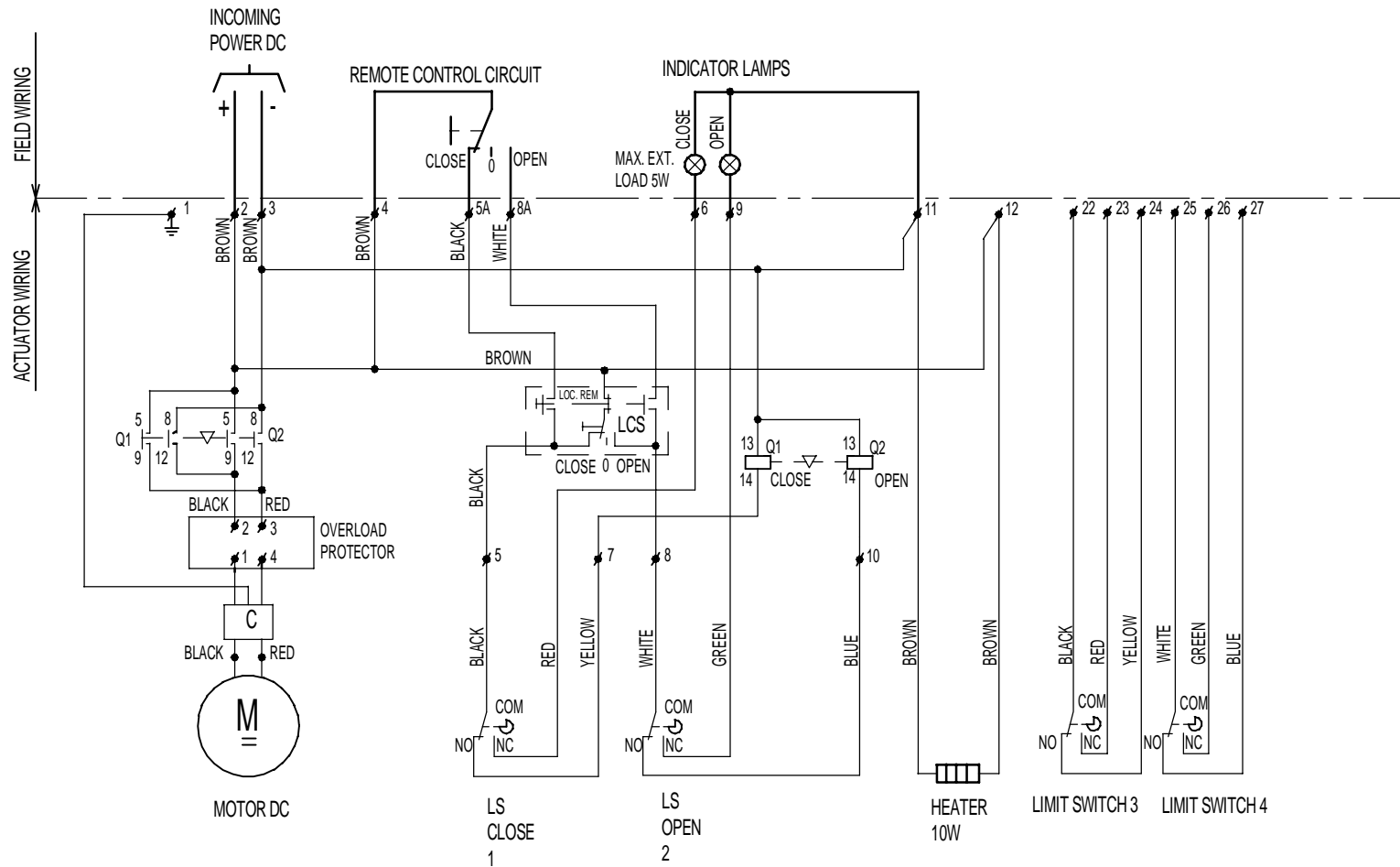


TOLERANCE LIMITS X = ± 0.5
 UNLESS OTHERWISE SPECIFIED
 DIMENSIONS ARE IN MILLIMETERS
 UNLESS OTHERWISE SPECIFIED
 - REPLACE ALL BOLTS AND NUTS WITH SHOCK COUPLERS
 XX = ± 0.25
 XXX = ± 0.1
 ANGULAR = ± 1/2



LOCAL CONTROL EX.
 IN EXPLOSION PROOF EXECUTION
 BOTH LOCAL/REMOTE AND
 CLOSE/STOP/OPEN SWITCHES
 ARE COMBINED INTO ONE SWITCH

LIMIT SWITCHES SHOWN IN MID STROKE

IMPORTANT
 Each actuator must be powered through its own individual switch or relay contacts to avoid cross feed between two or more actuators.

ELO-MATIC INTERNATIONAL LOCATION: HENGELD 101, THE NETHERLANDS		Format : A3	Drw. : AB	Scale : -	Date : 05/10/2000
Material : -		Title : Wiring diagram options motor DC+LC+4LS, EL55			ENOC nr. : H-0747 / 18/01/2001 Date : State : Released
Treatment : -		Drw/nr. : 990.40.034			Rev. : A