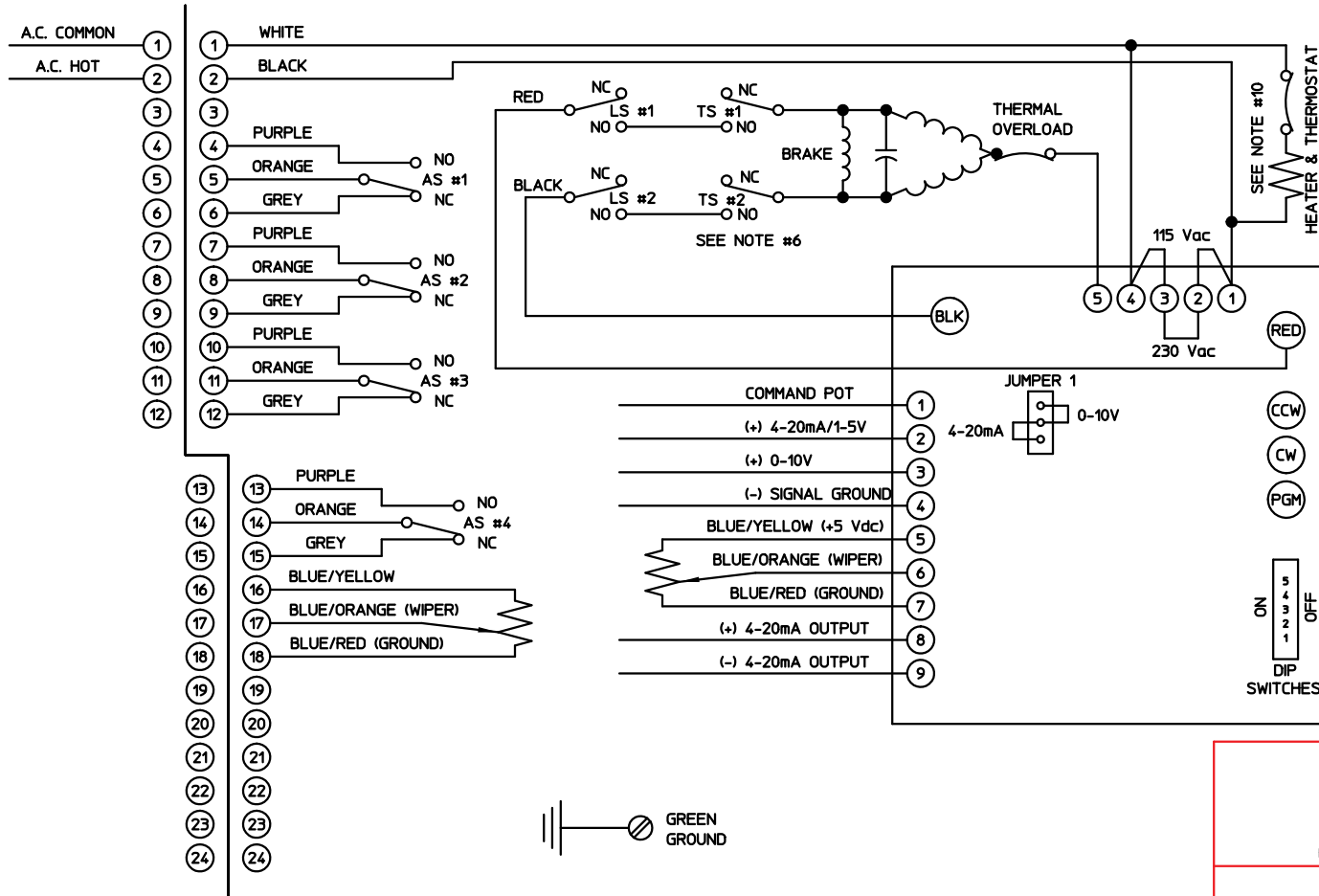


**FIELD WIRING**  
(REFERENCE ONLY - NOT SUPPLIED)

**ACTUATOR WIRING**



- NOTES:**
1. FIELD WIRING IS SHOWN FOR REFERENCE ONLY AND IS NOT SUPPLIED WITH THE ACTUATOR.
  2. ALWAYS VERIFY SPECIFIC ACTUATOR WIRING TO SPECIFICATION BEFORE INSTALLING.
  3. ROTATION IS VIEWED FROM ABOVE THE ACTUATOR.
  4. LS DEFINES LIMIT SWITCH OR END OF TRAVEL SWITCH.
  5. AS DEFINES AUXILIARY SWITCH AS #1 THROUGH #4 ARE OPTIONAL AND ARE SUPPLIED ONLY IF ORDERED WITH THE ACTUATOR OR AS A KIT.
  6. TS #1 AND TS #2 ARE TORQUE SWITCHES AND ARE PROVIDED ONLY ON THE 800 SERIES ACTUATORS
  7. THERMAL OVERLOAD SHOWN RESETS AUTOMATICALLY AND IS STANDARD ON ALL UNITS.
  8. CONTROL VOLTAGE OF 4-20 mA OR 0-10 V, NOT BOTH.
  9. SWITCHES ARE CONFIGURED FROM BOTTOM TO TOP (i.e. SWITCH 1 IS ON THE BOTTOM, SWITCH 2 IS THE NEXT ONE UP, etc.) LIMIT SWITCHES ARE MOUNTED BELOW THE AUXILIARY SWITCHES.
  10. ELECTRIC BRAKE, HEATER, AND THERMOSTAT ARE OPTIONAL ON SOME EQUIPMENT. CONSULT FACTORY LITERATURE FOR AVAILABLE OPTIONS.
  11. FOR 15 Vac SIGNALS, TERMINAL BLOCK TB1 MUST HAVE TWO JUMPERS BETWEEN 1 AND 2 AND BETWEEN 3 AND 4. FOR 230 Vac SIGNALS, TB1 MUST HAVE 1 JUMPER BETWEEN 2 AND 3.
  12. REFERENCE BETTIS BULLITEN 0597 FOR PROGRAMMING DIRECTIONS.
  13. DUE TO SPACE CONSTRAINTS, ALL COMMAND SIGNALS WILL BE DIRECTLY FIELD WIRED TO THE BOARD FOR THE 100 SERIES.
  14. SECOND POTENTIOMETER IS OPTIONAL. CONSULT FACTORY LITERATURE FOR AVAILABLE OPTIONS.



Electric Division, Mansfield, Ohio

**MODULATING**  
**ACv/1Ph WITH C1397**  
**ELECTRONIC PROPORTIONAL POSITIONER**

**REVISIONS**  
R-1) REMOVED JUMPER WIRES FROM BOARD TO TERMINALS 19 THRU 24. CUSTOMER NOW WIRES TO BOARD.  
05/07/04 JMK

THIS DOCUMENT IS THE PROPERTY OF BETTIS AND MAY NOT BE USED, REPRODUCED, PUBLISHED, OR DISCLOSED TO OTHERS WITHOUT EXPRESS AUTHORIZATION OF BETTIS

SCALE NONE	JOB NO	FILE	DRAWING NO.
DATE 10/28/98	DR. BY DK	2	WD-0007
APPD BY TG	ASSY	REV. 1	2 3 4 5 6
APPD BY			NO. 7 8 9 10