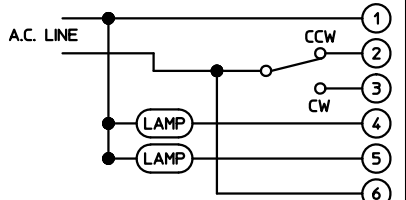
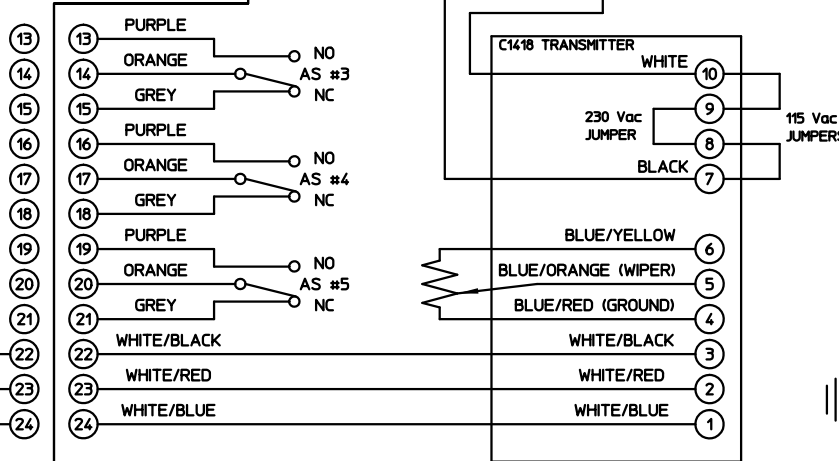
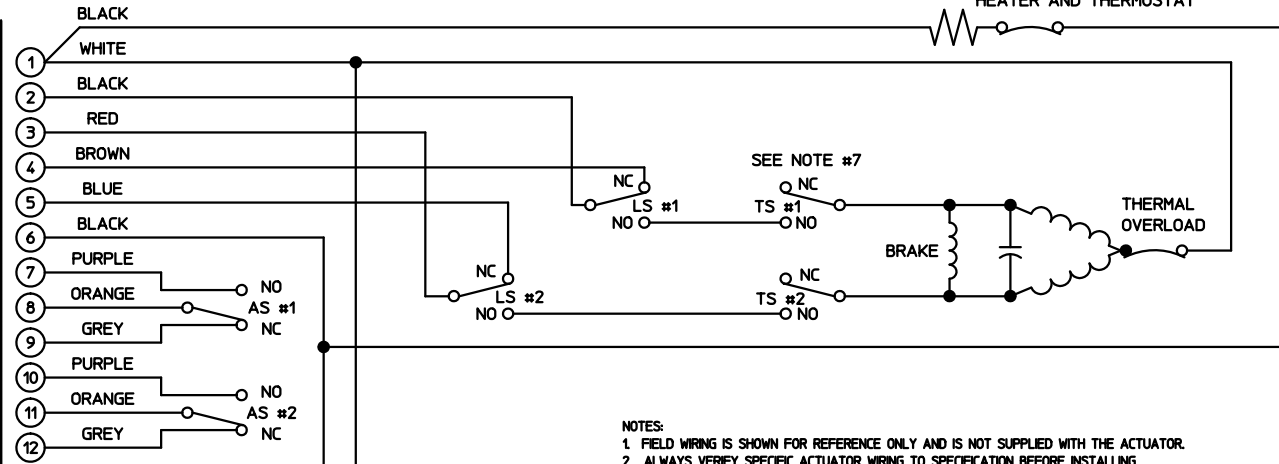


OPTIONAL FIELD WIRING  
(REFERENCE ONLY - NOT SUPPLIED)



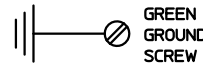
ACTUATOR WIRING



- (-) SIGNAL GROUND
- (+) 4-20 mA
- (+) 0-10 Vdc

NOTES:

1. FIELD WIRING IS SHOWN FOR REFERENCE ONLY AND IS NOT SUPPLIED WITH THE ACTUATOR.
2. ALWAYS VERIFY SPECIFIC ACTUATOR WIRING TO SPECIFICATION BEFORE INSTALLING.
3. ROTATION IS VIEWED FROM ABOVE THE ACTUATOR.
4. THERMAL OVERLOAD SHOWN RESETS AUTOMATICALLY AND IS STANDARD ON ALL UNITS.
5. SWITCHES ARE CONFIGURED FROM BOTTOM TO TOP (i.e. SWITCH 1 IS ON THE BOTTOM, SWITCH 2 IS THE NEXT ONE UP, etc.). LIMIT SWITCHES ARE ALWAYS MOUNTED BELOW AUXILIARY SWITCHES.
6. AS DEFINES AUXILIARY SWITCH. AS 1 THROUGH 6 ARE OPTIONAL AND ARE SUPPLIED ONLY IF ORDERED WITH THE ACTUATOR OR AS A KIT.
7. TS #1 AND TS #2 ARE TORQUE SWITCHES AND ARE PROVIDED ONLY ON THE 800 SERIES ACTUATORS.
8. CAUTION: ELECTRICAL OPERATION OF THE ACTUATOR MUST BE MADE THROUGH AN INDIVIDUAL SINGLE POLE CONTROL SWITCH IN ORDER TO ISOLATE THE UNUSED MOTOR WINDINGS.
9. LS DEFINES LIMIT SWITCH OR END OF TRAVEL SWITCH.
10. ELECTRICAL BRAKE, HEATER, AND THERMOSTAT ARE OPTIONAL ON SOME EQUIPMENT. CONSULT FACTORY LITERATURE FOR AVAILABLE OPTIONS.
11. 115 Vac UNITS MUST HAVE TWO JUMPERS BETWEEN 7 AND 8 AND BETWEEN 8 AND 9. 230 Vac UNITS MUST HAVE ONE JUMPER BETWEEN 8 AND 9.
12. REFERENCE BETTIS BULLITEN 01418 FOR OPERATING INSTRUCTIONS.



SEE NOTE #11  
HEATER AND THERMOSTAT

SEE NOTE #7

BRAKE

THERMAL OVERLOAD

**BETTIS**  
Actuators & Controls

Electric Division, Mansfield, Ohio

REVERSIBLE, 2 POSITION  
ACv/1Ph, WITH TRANSMITTER

REVISIONS

THIS DOCUMENT IS THE PROPERTY OF BETTIS AND MAY NOT BE USED, REPRODUCED, PUBLISHED, OR DISCLOSED TO OTHERS WITHOUT EXPRESS AUTHORIZATION OF BETTIS

SCALE	NONE	JOB NO	FILE	DRAWING NO.
DATE	05/10/99	DR.	BY DK	2 WD-0017
APPD BY	TG	ASSY	REV.	1 □ 2 □ 3 □ 4 □ 5 □ 6 □
APPD BY			NO.	7 □ 8 □ 9 □ 10 □