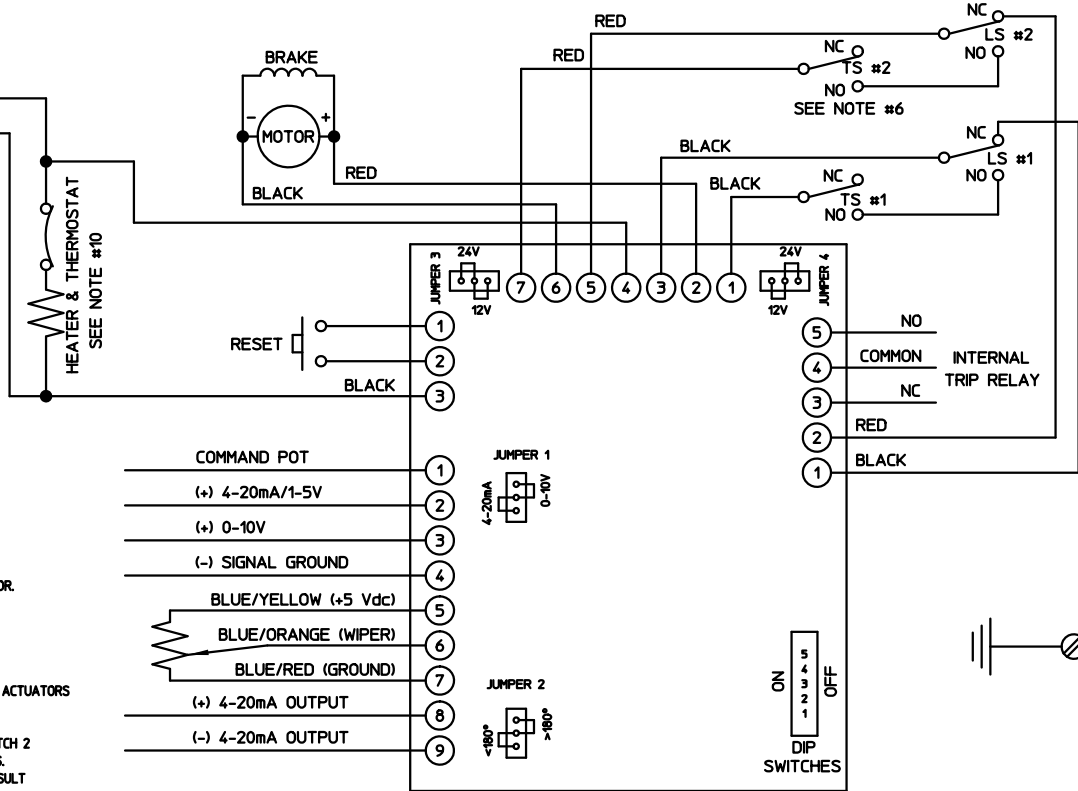
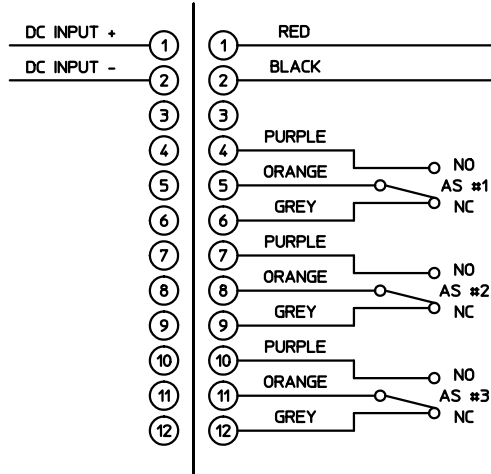


FIELD WIRING
(REFERENCE ONLY - NOT SUPPLIED)

ACTUATOR WIRING



1. FIELD WIRING IS SHOWN FOR REFERENCE ONLY AND IS NOT SUPPLIED WITH THE ACTUATOR.
2. ALWAYS VERIFY SPECIFIC ACTUATOR WIRING TO SPECIFICATION BEFORE INSTALLING.
3. ROTATION IS VIEWED FROM ABOVE THE ACTUATOR.
4. LS DEFINES LIMIT SWITCH OR END OF TRAVEL SWITCH.
5. AS DEFINES AUXILIARY SWITCH. AS #1 THROUGH #3 ARE OPTIONAL AND ARE SUPPLIED ONLY IF ORDERED WITH THE ACTUATOR OR AS A KIT.
6. TS #1 AND TS #2 ARE TORQUE SWITCHES AND ARE PROVIDED ONLY ON THE 800 SERIES ACTUATORS
8. CONTROL VOLTAGE OF 4-20 mA OR 0-10 V, NOT BOTH.
9. SWITCHES ARE CONFIGURED FROM BOTTOM TO TOP (i.e. SWITCH 1 IS ON THE BOTTOM, SWITCH 2 IS THE NEXT ONE UP, etc.) LIMIT SWITCHES ARE MOUNTED BELOW THE AUXILIARY SWITCHES.
10. ELECTRIC BRAKE, HEATER, AND THERMOSTAT ARE OPTIONAL ON SOME EQUIPMENT. CONSULT FACTORY LITERATURE FOR AVAILABLE OPTIONS.
11. REFERENCE BETTIS BULLITEN C1415 FOR PROGRAMMING DIRECTIONS.

REVISIONS
R-01 REMOVED TB2 (03-24) AND JUMPER WIRES TO BOARD.
CUSTOMER NOW WIRES TO BOARD.
REMOVED NOTE 7 ABOUT THERMAL OVERLOAD AND 12 ABOUT CAN CONNECT TO BOARD FOR EMI/DUE TO CONSTRAINTS.
05/10/04 JHK

THIS DOCUMENT IS THE PROPERTY OF BETTIS AND MAY NOT BE USED, REPRODUCED, PUBLISHED, OR DISCLOSED TO OTHERS WITHOUT EXPRESS AUTHORIZATION OF BETTIS

SCALE	NONE	JOB NO	FILE	DRAWING NO.
DATE	03/17/00	DR.	BY LK	2 WD-0028
APPD BY	DK	ASSY	REV. 1	2 3 4 5 6
APPD BY				NO. 7 8 9 10

BETTIS
Actuators & Controls

Electric Division, Mansfield, Ohio

MODULATING
VDC W/C1415
ELECTRONIC PROPORTIONAL POSITIONER