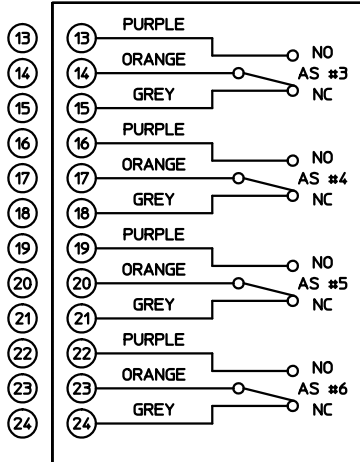
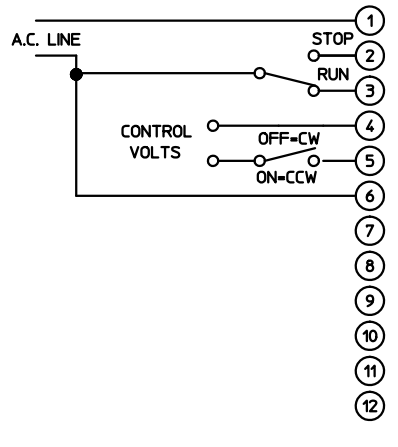
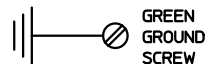
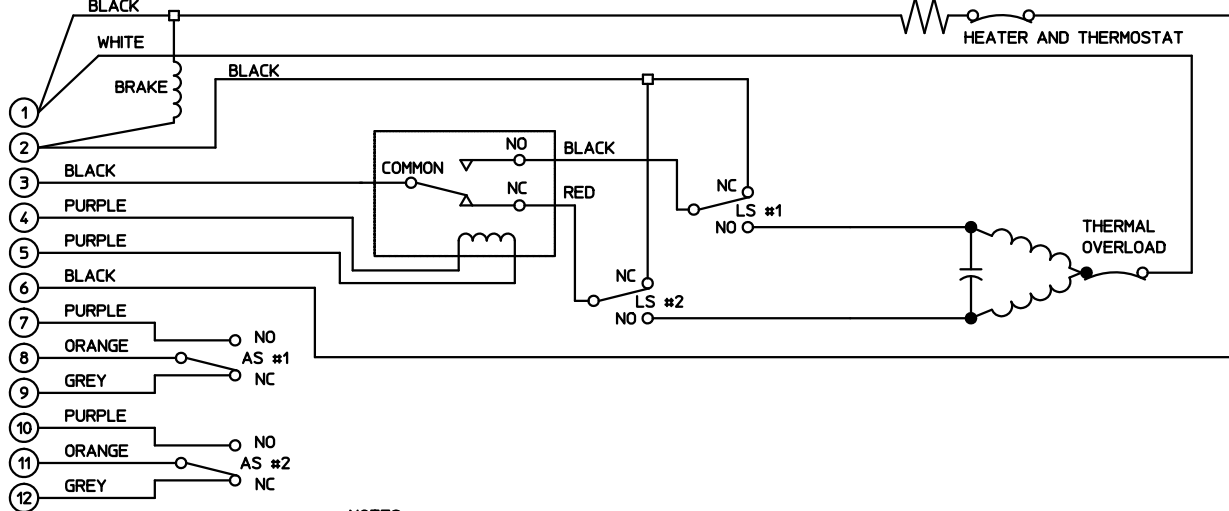


OPTIONAL FIELD WIRING
(REFERENCE ONLY - NOT SUPPLIED)



ACTUATOR WIRING



NOTES:

1. FIELD WIRING IS SHOWN FOR REFERENCE ONLY AND IS NOT SUPPLIED WITH THE ACTUATOR.
2. ALWAYS VERIFY SPECIFIC ACTUATOR WIRING TO SPECIFICATION BEFORE INSTALLING.
3. ROTATION IS VIEWED FROM ABOVE THE ACTUATOR
4. THERMAL OVERLOAD SHOWN RESETS AUTOMATICALLY AND IS STANDARD ON ALL UNITS.
5. SWITCHES ARE CONFIGURED FROM BOTTOM TO TOP (i.e. SWITCH 1 IS ON THE BOTTOM, SWITCH 2 IS THE NEXT ONE UP, etc.). LIMIT SWITCHES ARE ALWAYS MOUNTED BELOW AUXILIARY SWITCHES.
6. AS DEFINES AUXILIARY SWITCH. AS 1 THROUGH 6 ARE OPTIONAL AND ARE SUPPLIED ONLY IF ORDERED WITH THE ACTUATOR OR AS A KIT.
7. TERMINALS 13-24 WILL BE SUPPLIED ONLY WHEN REQUIRED.
8. CAUTION: ELECTRICAL OPERATION OF THE ACTUATOR MUST BE MADE THROUGH AN INDIVIDUAL SINGLE POLE CONTROL SWITCH IN ORDER TO ISOLATE THE UNUSED MOTOR WINDINGS.
9. LS DEFINES LIMIT SWITCH OR END OF TRAVEL SWITCH.

BETTS
Actuators & Controls

Electric Division, Mansfield, Ohio

REVERSIBLE, 2-POSITION, SPRING
RETURN, CW/CCW FAIL, Vac/1Ph,
WITH CONTROL RELAY

REVISIONS

THIS DOCUMENT IS THE PROPERTY
OF BETTIS AND MAY NOT
BE USED, REPRODUCED,
PUBLISHED, OR DISCLOSED TO
OTHERS WITHOUT EXPRESS
AUTHORIZATION OF BETTIS

SCALE NONE	JOB NO	FILE	DRAWING NO.
DATE 07/18/01			
DR. BY JMK		2	WD-0043
APPD BY JJF	ASSY	REV. 1	2 3 4 5 6
APPD BY	-309	NO. 7	8 9 10