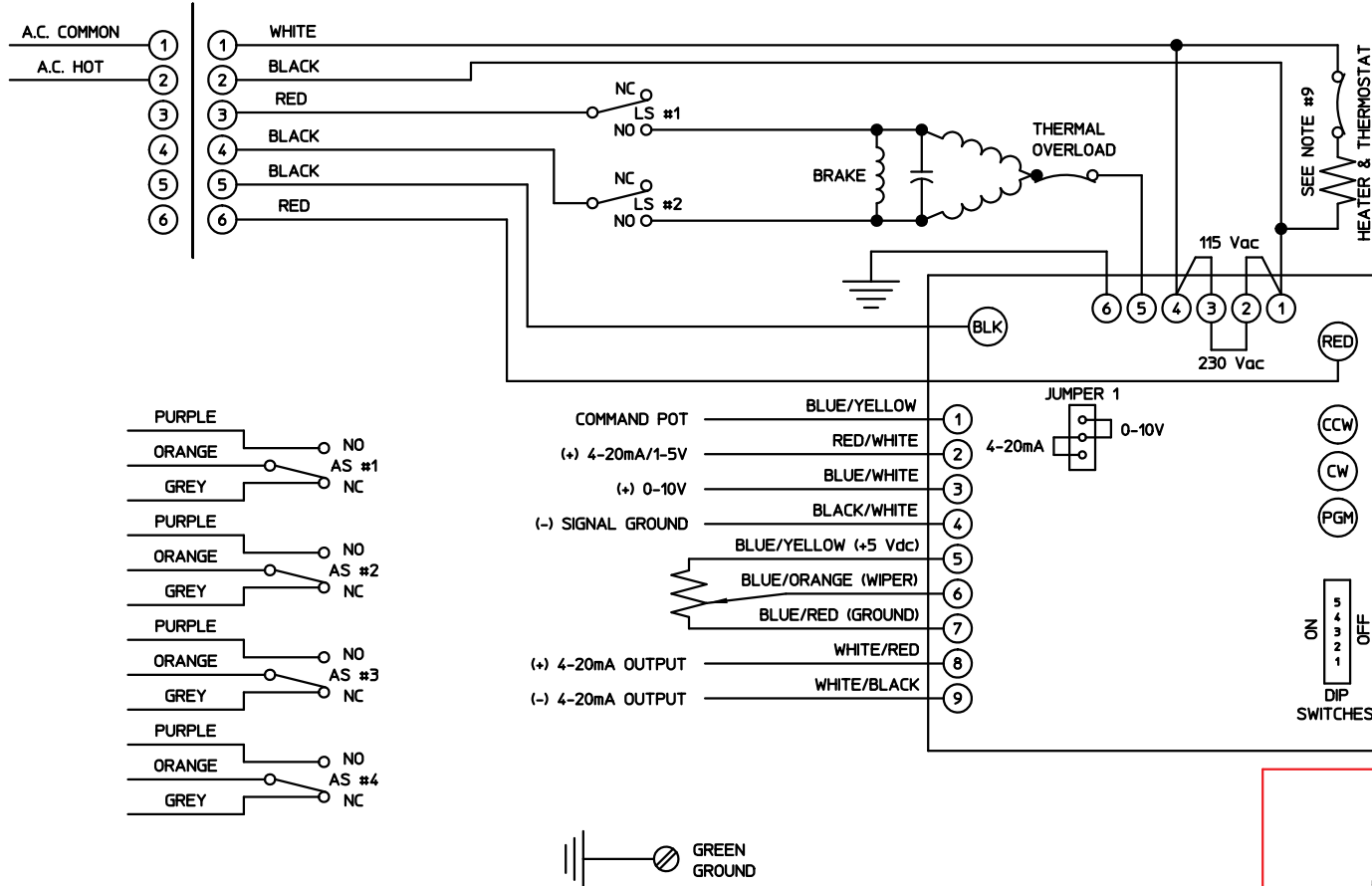


**FIELD WIRING**  
(REFERENCE ONLY - NOT SUPPLIED)

**ACTUATOR WIRING**



- NOTES:**
1. FIELD WIRING IS SHOWN FOR REFERENCE ONLY AND IS NOT SUPPLIED WITH THE ACTUATOR.
  2. ALWAYS VERIFY SPECIFIC ACTUATOR WIRING TO SPECIFICATION BEFORE INSTALLING.
  3. ROTATION IS VIEWED FROM ABOVE THE ACTUATOR.
  4. LS DEFINES LIMIT SWITCH OR END OF TRAVEL SWITCH.
  5. AS DEFINES AUXILIARY SWITCH AS #1 THROUGH #2 ARE OPTIONAL AND ARE SUPPLIED ONLY IF ORDERED WITH THE ACTUATOR OR AS A KIT.
  6. THERMAL OVERLOAD SHOWN RESETS AUTOMATICALLY AND IS STANDARD ON ALL UNITS.
  7. CONTROL SIGNAL OF 4-20 mA OR 0-10 V, NOT BOTH.
  8. SWITCHES ARE CONFIGURED FROM BOTTOM TO TOP (i.e. SWITCH 1 IS ON THE BOTTOM, SWITCH 2 IS THE NEXT ONE UP, etc.) LIMIT SWITCHES ARE MOUNTED BELOW THE AUXILIARY SWITCHES.
  9. ELECTRIC BRAKE, HEATER, AND THERMOSTAT ARE OPTIONAL ON SOME EQUIPMENT. CONSULT FACTORY LITERATURE FOR AVAILABLE OPTIONS.
  10. FOR 115 Vac SIGNALS, TERMINAL BLOCK TB1 MUST HAVE TWO JUMPERS BETWEEN 1 AND 2 AND BETWEEN 3 AND 4. FOR 230 Vac SIGNALS, TB1 MUST HAVE 1 JUMPER BETWEEN 2 AND 3. TB1 IS ON MOD BOARD.
  11. REFERENCE BETTIS BULLITEN 01597 FOR PROGRAMMING DIRECTIONS.
  12. DUE TO SPACE CONSTRAINTS, ALL COMMAND SIGNALS WILL BE DIRECTLY FIELD WIRED TO THE BOARD FOR THE 100 & 300 SERIES. SAME FOR AUX SWITCHES WHERE APPLICABLE.



Electric Division, Mansfield, Ohio

**300 SERIES MODULATING**  
**ACv/1Ph WITH C1397**  
**ELECTRONIC PROPORTIONAL POSITIONER**

REVISIONS
R-1) REMOVED TERM. STRIP 13-24, 1-6
WAS 1-12.
07/20/06 LK

THIS DOCUMENT IS THE PROPERTY OF BETTIS AND MAY NOT BE USED, REPRODUCED, PUBLISHED, OR DISCLOSED TO OTHERS WITHOUT EXPRESS AUTHORIZATION OF BETTIS

SCALE NONE	JOB NO	FILE	DRAWING NO.
DATE			
DR. BY DK			2 WD-0106
APPD BY MC	ASSY	REV. 1	2 3 4 5 6
APPD BY			NO. 7 8 9 10