

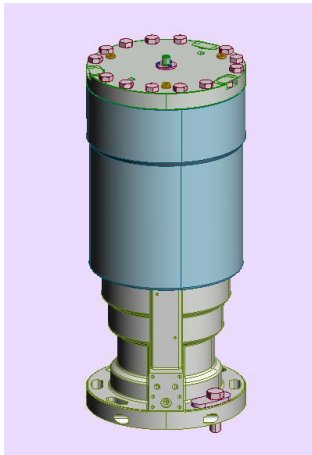
Data sheet

Sheet No.: BHHF8000.01 RevB

Date: March 2015

BHHF 8000

Hydraulic single-acting balanced rotary actuator 90° (Quarter-turn) fail-safe



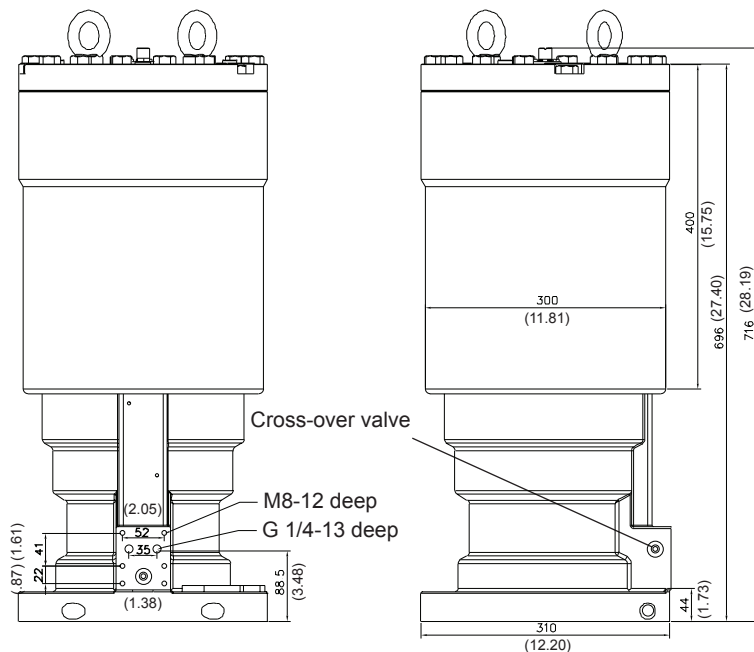
Main data:

Working pressure:	135 bar	(1958 psi)
Burst test:	675 bar	(9788 psi)
Total dry wt. incl. 26.9 kg. (59.2 lbs.) mounting set	290 kg	(639.3 lbs.)
Oil displacement:	1.61 l	(98.2 cu. in.)
Temperature range:	-20°C to +80°C	(-5° F to +180° F)
Rotation:	90°±1°	
Hydraulic media and viscosities:	We recommend acid-free hydraulic oil. Viscosity range: 15-200 cSt. For recommended brands and for other media than oil please refer to separate data sheet.	

Main dimensions:

Actuator shown in closed (fail safe) position.

Dimensions in inches shown in parentheses.



BETTIS™

www.emerson.com/bettis

Copyright © Emerson. The information in this document is subject to change without notice.

Updated data sheets can be obtained from our website www.emerson.com/bettis or from your nearest Actuation Technologies Center:

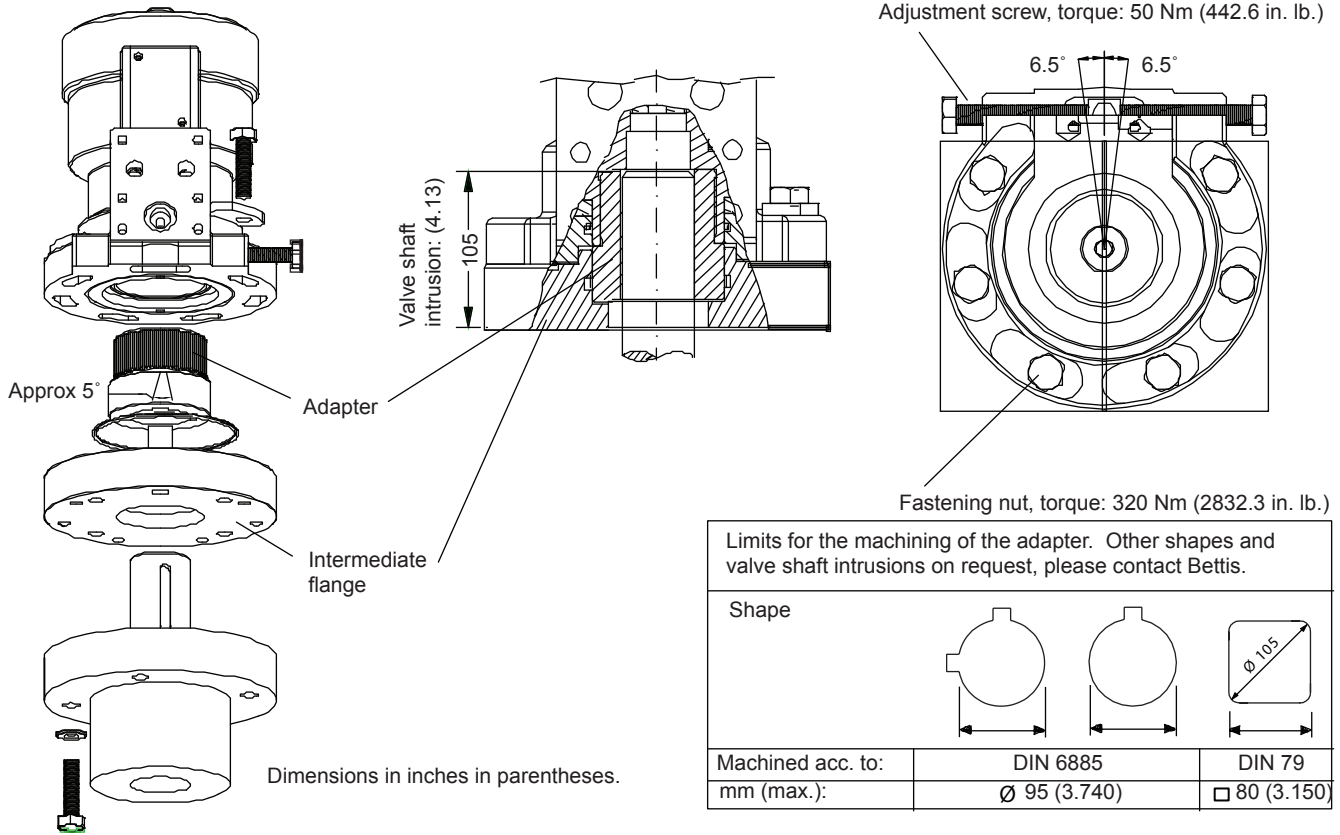
America's: +1 281 477 4100 (fax 477 2809) Europe: +36 22 53 09 50 (fax +36 22 54 37 00) Asia/Pacific: +65 650 14 600 (fax +65 626 80 028)

Data sheet

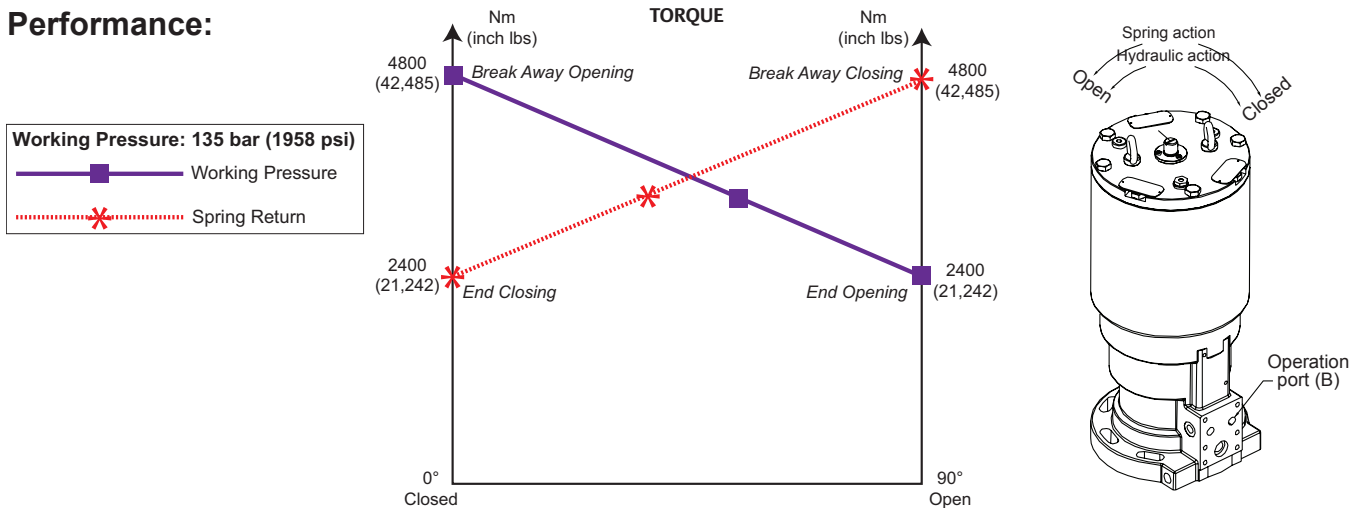
Sheet No.: BHHF8000.02 RevB
Date: March 2015

BHHF 8000

Valve adaptation:



Performance:



Note: Not Certified dimensional drawings. Such drawings are available on request. Contact factory with correct model designation and serial number.
Important: Due to Emerson's continuing commitment to engineered product advancement, data presented herein is subject to change.

The contents of the publication are presented for information purposes only, and while effort has been made to ensure their accuracy, they are not to be construed as warranties or guarantees, express or implied, regarding the products or services described herein or their use or applicability. All sales are governed by our terms and conditions, which are available on request. We reserve the right to modify or improve the designs or specifications of our products at any time without notice.

BETTIS™

EMERSON