

## Data sheet

Sheet No.: PHSP3.01 RevA

Date: October 2010

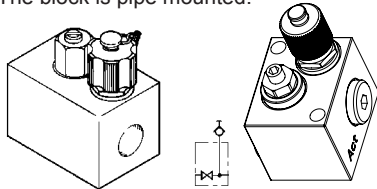
PHS P3

# PHS-P3, Accessories for Valve/Actuator Area

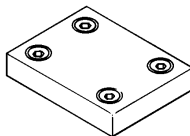
## Application:

## Description:

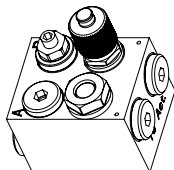
**PHS Pipe Block:** For emergency operation of 1-line actuators (spring return) by means of portable hand pump. The block is pipe mounted.



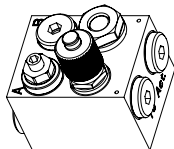
**P3: Cross-over plate:** Whenever a Cetop-3/NG 6 mounting block is used for mounting of control equipment on the actuator, a P3 plate is necessary to close the Cetop-3 "sandwich".



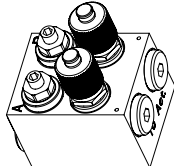
**PHS – bleeder fail close:** For emergency operation of 1-line submerged actuator (fail close) by means of portable hand pump. The block is pipe mounted.



**PHS – bleeder fail open:** For emergency operation of 1-line submerged actuator (fail open) by means of portable hand pump. The block is pipe mounted.



**DPHS – pipe block:** For emergency operation of 2-line actuator or system consisting LPU, both S and D, by means of portable hand pump.



**PHS Pipe Block:**

Block with single quick connection and stop valve. The block has connection tread G 3/8.

**PHS Pipe Block:**

Block with single quick connection and stop valve. The block has connection tread G1/4.

**P3: Cross-over plate:**

Plate for cross - connecting ports P and A, respectively B and T of a Cetop-3/NG 6 stack.

**PHS – bleeder fail close:**

Bleed pipe from actuator can be connected to block.

**PHS – bleeder fail open, submerged:**

Bleed pipe from actuator can be connected to block.

**DPHS – pipe block, submerged:**

For emergency operation of 2-line actuator by means of portable hand pump. The block is pipe mounted.

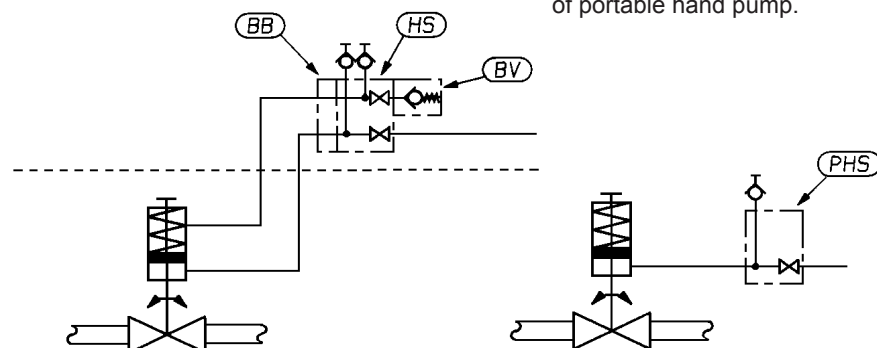
## Main data:

	PHS	P3	PHS-bleed fail close	PHS-bleed fail open	DPHS
Max. operation pressure:	135 bar/2000 PSI				
Max test pressure:	225 bar/3250 PSI				
Flow rate at 100 bar, (50 cSt visc.) l/min.	6	20	6	6	6
Weight approx.: kg/lb	0.6/1.3	0.2/0.4	1.1/2.4	1.1/2.4	1.1/2.4
Materials:	Brass				

## Application examples:

Remote breathing from actuator spring cavity.

Emergency operation by means of portable hand pump.



**BETTIS™**

www.Bettis.com

Copyright © Emerson Process Management. The information in this document is subject to change without notice. Updated data sheets can be obtained from our website [www.bettis.com](http://www.bettis.com) or from your nearest Valve Automation Center. USA: +1 281 727 5300 Europe: +31 74 256 1010 Asia-Pacific: +65 6501 4600

**EMERSON™**  
Process Management

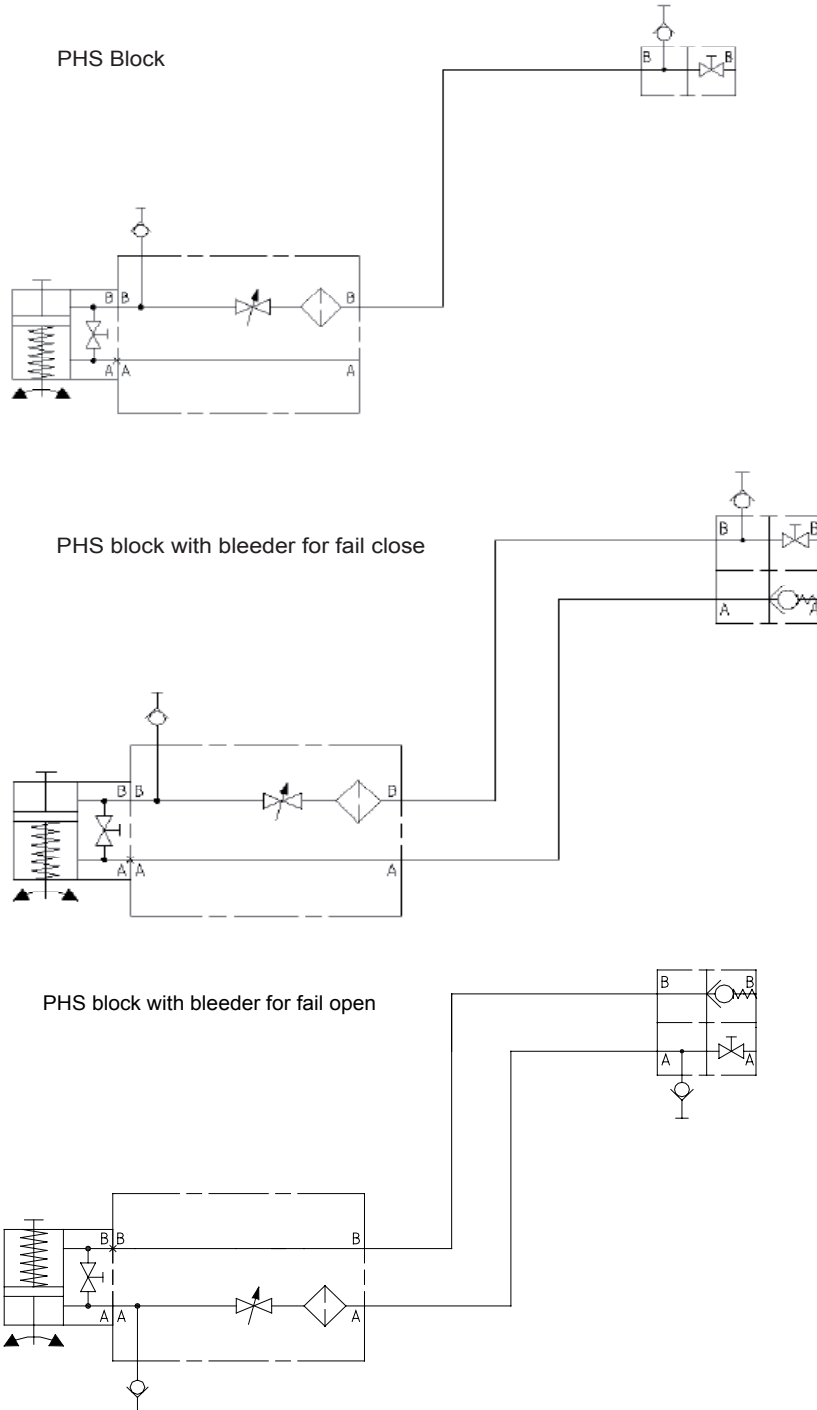
# Data sheet

Sheet No.: PHSP3.02 RevA

Date: October 2010

# PHS P3

## Hydraulic diagram:



www.Bettis.com

Copyright © Emerson Process Management. The information in this document is subject to change without notice. Updated data sheets can be obtained from our website [www.bettis.com](http://www.bettis.com) or from your nearest Valve Automation Center. USA: +1 281 727 5300 Europe: +31 74 256 1010 Asia-Pacific: +65 6501 4600



# Data sheet

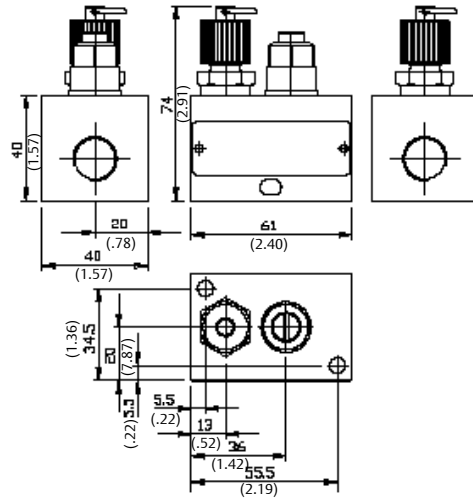
Sheet No.: PHSP3.03 RevA

Date: October 2010

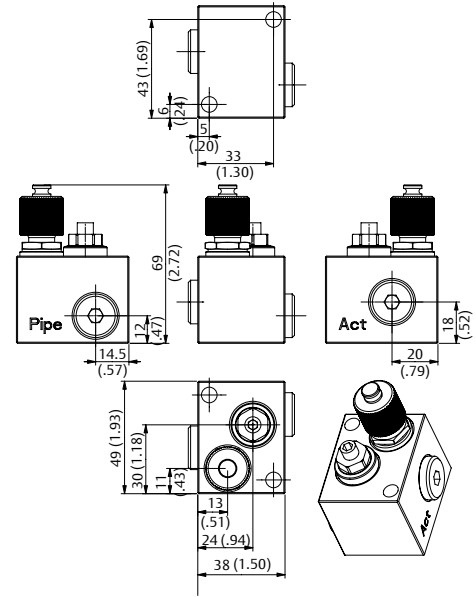
# PHS P3

## Main dimensions:

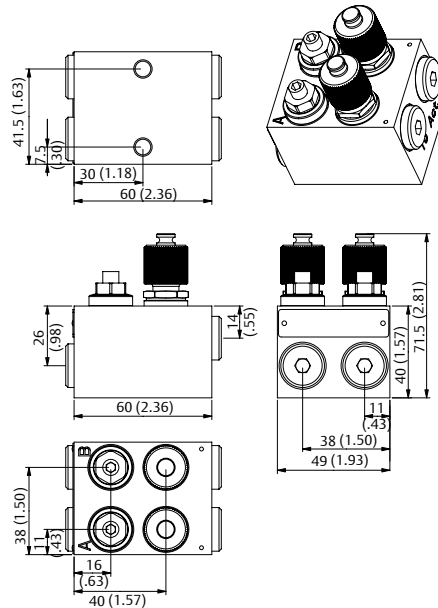
### PHS Pipe Block G3/8"



### PHS Pipe Block G1/4"



### DPHS Block



www.Bettis.com

Copyright © Emerson Process Management. The information in this document is subject to change without notice.

Updated data sheets can be obtained from our website [www.bettis.com](http://www.bettis.com) or from your nearest Valve Automation Center.

USA: +1 281 727 5300 Europe: +31 74 256 1010 Asia-Pacific: +65 6501 4600



# Data sheet

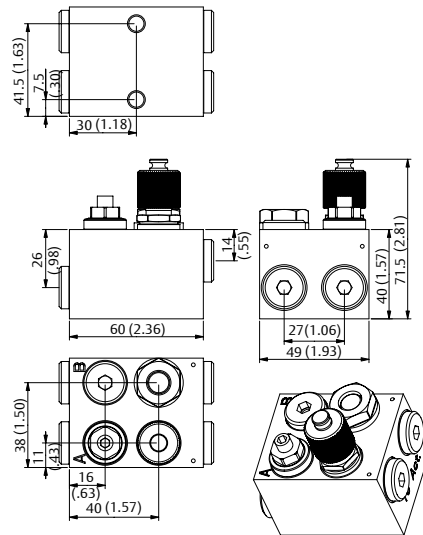
Sheet No.: PHSP3.04 RevA

Date: October 2010

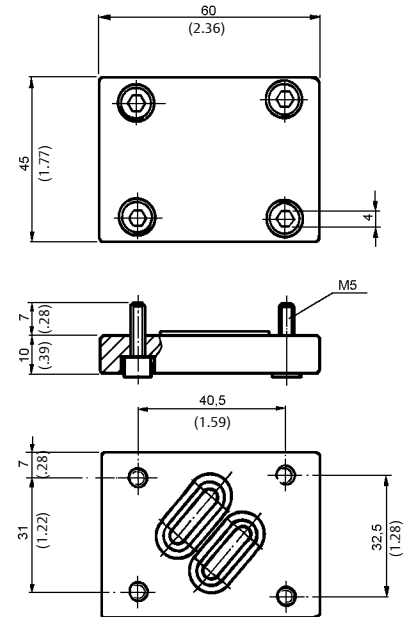
# PHS P3

## Main dimensions (continued):

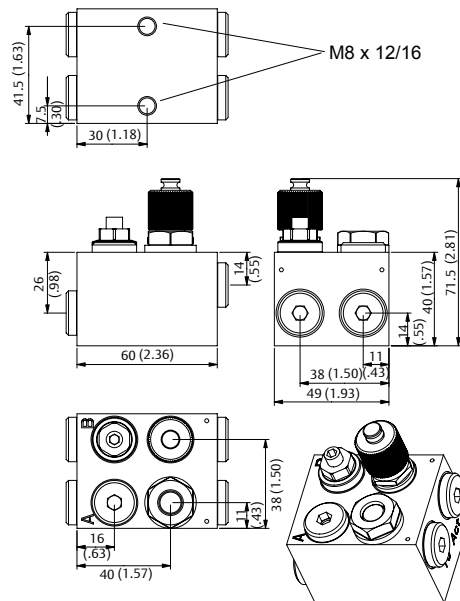
### PHS Bleeder Fail Open



### P3



### PHS Bleeder Fail Closed



Note: Not Certified dimensional drawings. Such drawings are available on request. Contact factory with correct model designation and serial number.  
Important: Due to Emerson's continuing commitment to engineered product advancement, data presented herein is subject to change.

The contents of the publication are presented for information purposes only, and while effort has been made to ensure their accuracy, they are not to be construed as warranties or guarantees, express or implied, regarding the products or services described herein or their use or applicability. All sales are governed by our terms and conditions, which are available on request.

We reserve the right to modify or improve the designs or specifications of our products at any time without notice.

# BETTIS™

www.Bettis.com

Copyright © Emerson Process Management. The information in this document is subject to change without notice.

Updated data sheets can be obtained from our website [www.bettis.com](http://www.bettis.com) or from your nearest Valve Automation Center.

USA: +1 281 727 5300 Europe: +31 74 256 1010 Asia-Pacific: +65 6501 4600

**EMERSON™**  
Process Management