

Shaft cover for BHH/BHHF Actuators

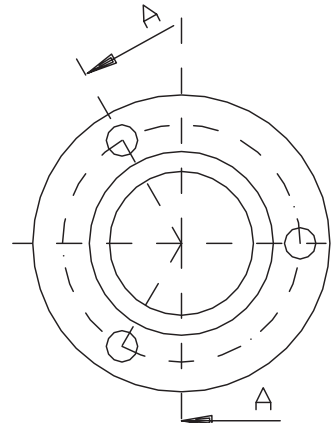
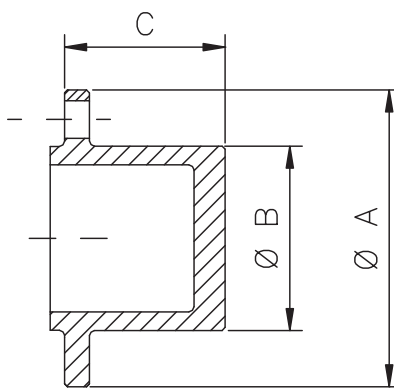
Description:

This cover series protects against intrusion of fluids in indicator shaft area when the actuator is submerged.

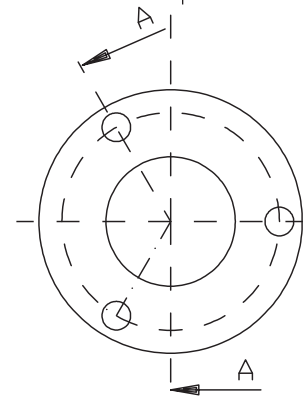
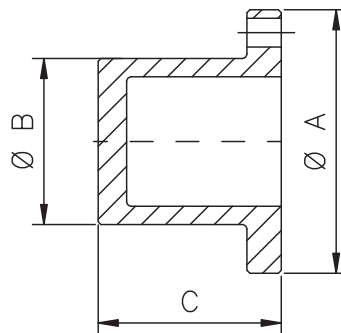
Note: Is to be mounted on actuator before coating.

Dimensions: (Inches in parenthesis)

	ØA	ØB	ØC
BHH 125	39.0 (1.53)	22.5 (.89)	24.7 (.97)
BHH 250	47.5 (1.87)	29.5 (1.16)	25.7 (1.01)
BHH 500	55.0 (2.17)	36.5 (1.43)	27.7 (1.09)
BHHF 125-4000	39.0 (1.53)	22.5 (.89)	24.7 (.97)



	ØA	ØB	ØC
BHH 1000-4000	46.0 (1.81)	29.0 (1.14)	32.0 (1.26)



Note: Not Certified dimensional drawings. Such drawings are available on request. Contact factory with correct model designation and serial number.
Important: Due to Emerson's continuing commitment to engineered product advancement, data presented herein is subject to change.

The contents of the publication are presented for information purposes only, and while effort has been made to ensure their accuracy, they are not to be construed as warranties or guarantees, express or implied, regarding the products or services described herein or their use or applicability. All sales are governed by our terms and conditions, which are available on request.

We reserve the right to modify or improve the designs or specifications of our products at any time without notice.



www.Bettis.com

Copyright © Emerson Process Management. The information in this document is subject to change without notice.
Updated data sheets can be obtained from our website www.bettis.com or from your nearest Valve Automation Center.
USA: +1 281 727 5300 Europe: +31 74 256 1010 Asia-Pacific: +65 6501 4600

