

CBA-Series Pneumatic Dimension Data Metric



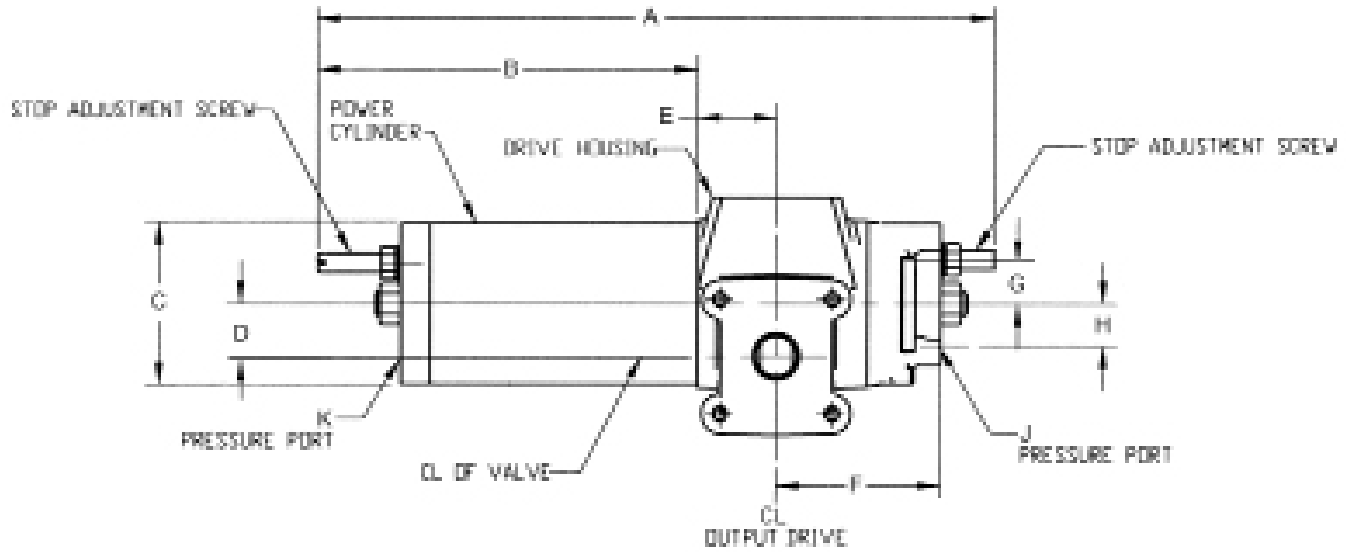
HD-Series pneumatic actuators are compact, lightweight and ideally suited for automating ball, butterfly and non-lubricated plug valves, or any quarter- turn (90 degree) rotating mechanism. These efficient, low maintenance actuators, with optional controls, provide a reliable method of operating and confirming valve position for a fully automated process. The HD-Series, available in double-acting and spring-return models, are independently certified to BS 5490: 1977 - IP66 and IP67M for water ingress protection.

- PED 97/23/EC Compliant
- Xylan™ Coated Cylinder
- Water Ingress Protected – IP66 and IP67M
- Low Maintenance
- Economical
- Jackscrew Option
- Five-Year Warranty
- Dual Mounting Interface
- Suitable for SIL 2 or SIL 3
- Bi-directional Travel Adjustment

Dimensions - (Pneumatic) Mm.

Double-Acting Actuators

CBAXXX



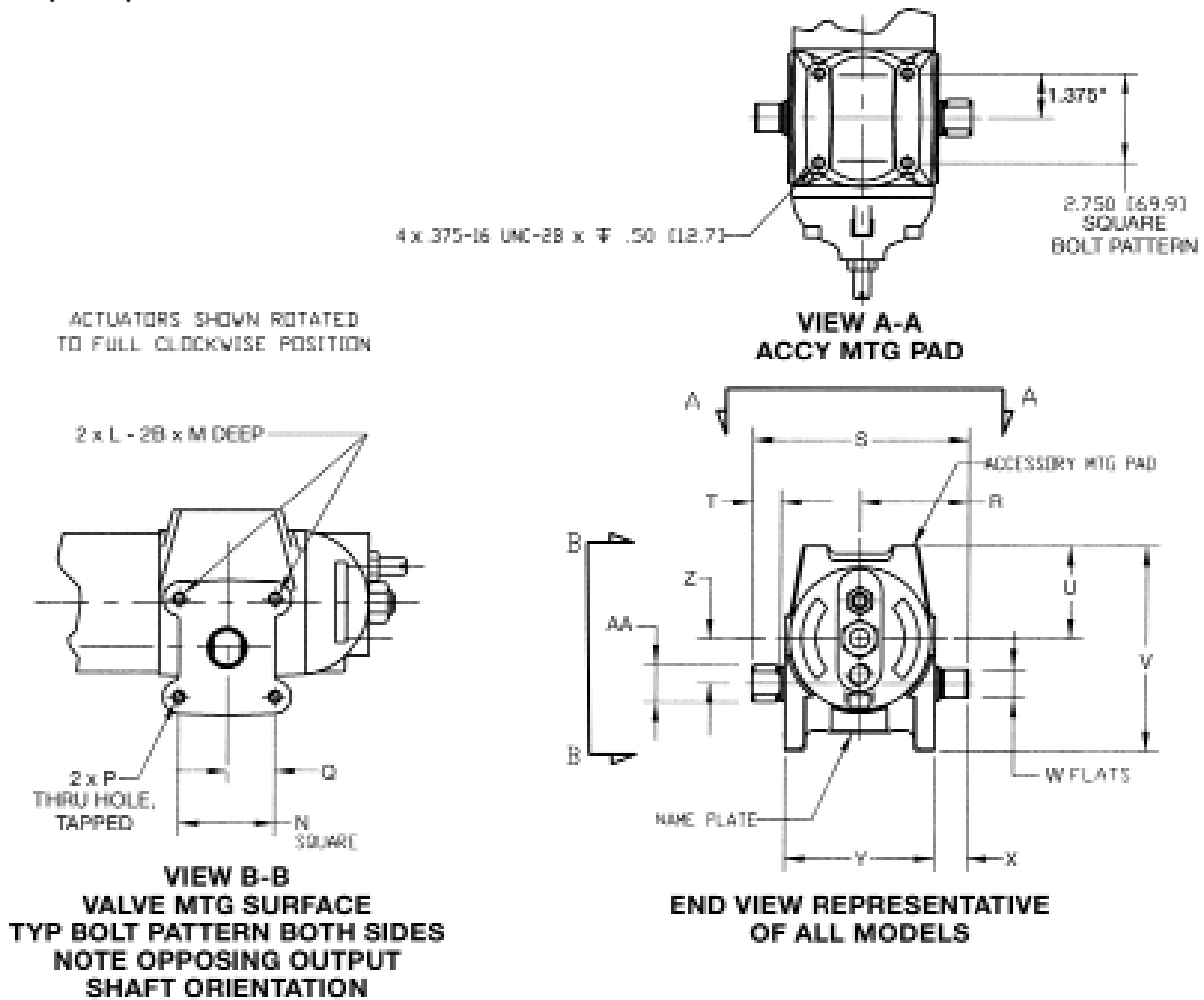
Actuator Model	A	B	C	D	E	F	G	H	J/K
CBA315	359.8	187.5	82.6	27.8	47.8	87.8	23.8	23.9	1/4" NPT
CBA420	417.3	217.6	108.0	34.9	54.1	111.0	27.9	27.9	3/8" NPT
CBA520	418.1	219.2	136.7	34.9	53.5	111.0	27.9	27.9	3/8" NPT
CBA520	488.1	250.9	136.7	42.9	65.0	127.0	31.8	28.4	3/8" NPT
CBA725	492.7	260.1	190.5	42.9	64.2	127.0	31.8	28.4	3/8" NPT

Note:

Not Certified dimensional drawings. Such drawings available on request.
Contact factory with correct model designation and serial number.
All dimensions are expressed in inches.

Dimensions - (Pneumatic) Mm.

Double-Acting Actuators CBAXXX (cont.)



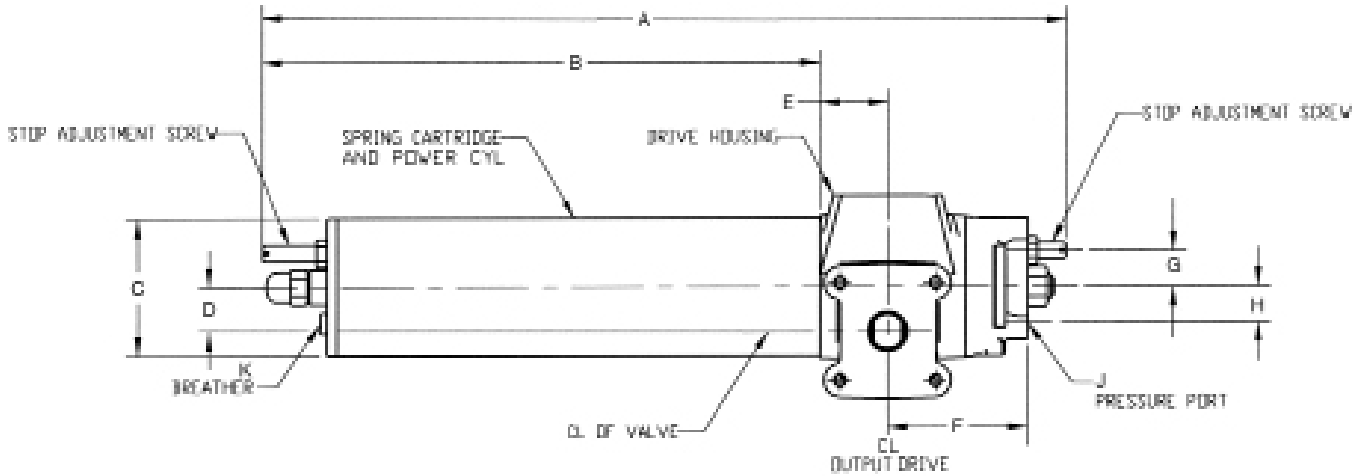
Actuator Model	L	M	N	P	Q	R	S	T	U	V	W	X	Y	Z	AA
CBA315	.313-18 UNC	9.7	57.2	.313-18 UNC	28.6	73.8	147.6	19.1	56.4	131.5	15.6 15.74	26.2	95.3	27.8	22.15 22.25
CBA420	.375-16 UNC	12.7	76.2	.375-16 UNC	38.1	85.1	169.9	19.1	71.3	158.9	22.09 21.95	26.2	v117.5	35.1	28.5 28.6
CBA520	.375-16 UNC	12.7	76.2	.375-16 UNC	38.1	85.1	169.9	19.1	71.3	158.9	22.09 21.95	26.2	117.5	35.1	28.5 28.6
CBA520	.500-13 UNC	12.7	88.9	.500-13 UNC	44.5	111.1	222.3	28.4	88.9	192.6	28.33 28.47	38.1	146.1	42.9	38.02 38.12
CBA725	.500-13 UNC	12.7	88.9	.500-13 UNC	44.5	111.1	222.3	28.4	88.9	192.6	28.33 28.47	38.1	146.1	42.9	38.02 38.12

Note:
 Not Certified dimensional drawings. Such drawings available on request.
 Contact factory with correct model designation and serial number.
 All dimensions are expressed in inches.

Dimensions - (Pneumatic) Mm.

Spring-Return Actuators

CBA XXX-SRX



Actuator Model	A	B	C	D	E	F	G	H	J/K	L
CBA315-SRX	511.2	347.0	82.6	27.8	47.8	87.8	23.8	23.9	1/4" NPT	.313-18 UNC
CBA415-SRX	513.3	348.2	108.0	27.8	47.8	87.8	23.9	23.9	1/4" NPT	.313-18 UNC
CBA420-SRX	623.3	433.5	108.0	34.9	54.1	111.0	27.9	27.9	3/8" NPT	.375-16 UNC
CBA520-SRX	631.9	442.9	136.7	34.9	52.2	111.0	27.9	27.9	3/8" NPT	.375-16 UNC
CBA525-SRX	716.6	457.4	136.7	42.9	65.0	127.0	31.8	28.4	3/8" NPT	.500-13 UNC
CBA725-SRX	713.6	466.7	190.5	42.9	64.2	127.0	31.8	28.4	3/8" NPT	.500-13 UNC

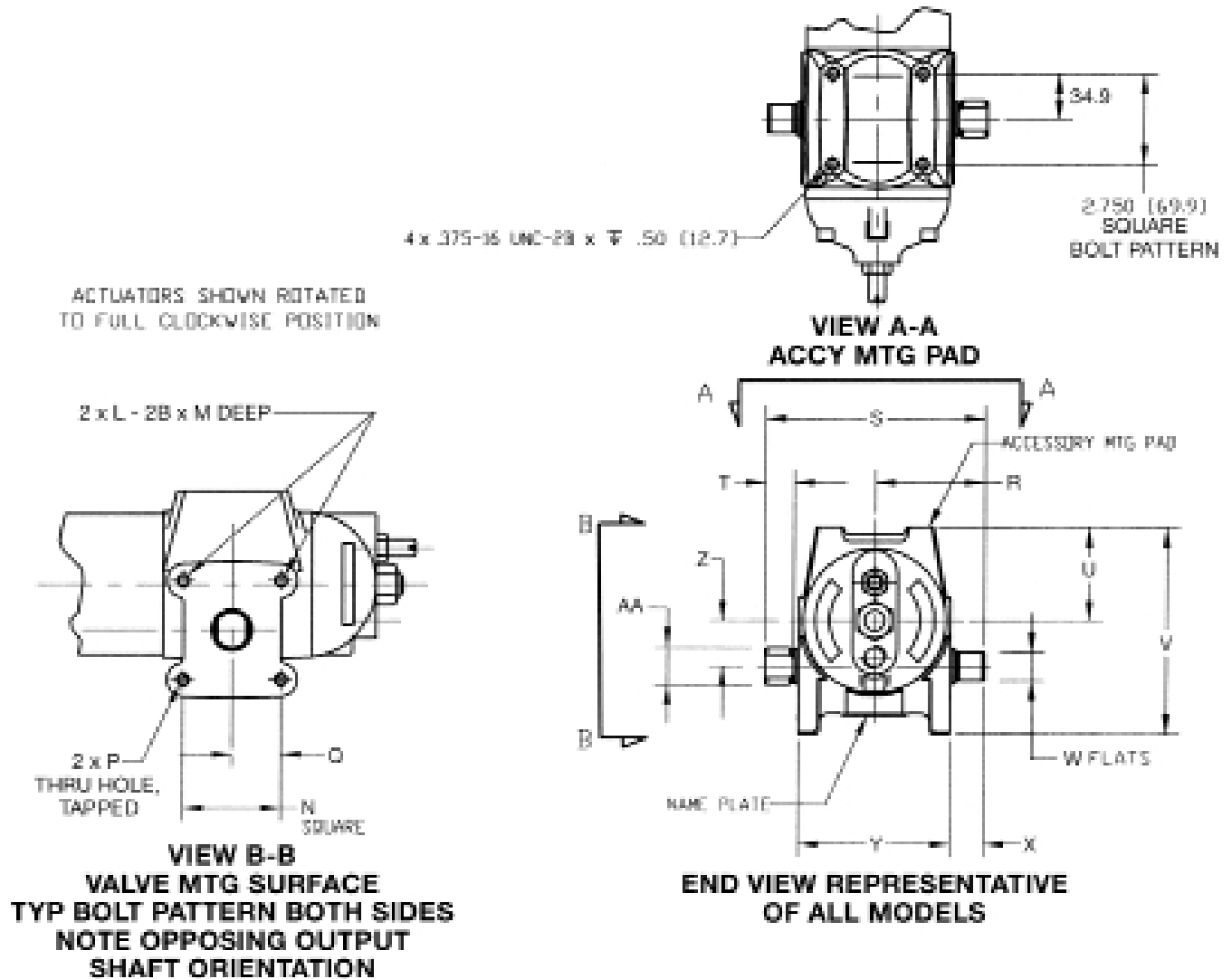
Actuator Model	M	N	P	Q	R	S	T	U	V	W	X	Y	Z	AA
CBA315-SRX	9.7	57.2	.313-18 UNC	28.6	73.8	147.6	19.1	56.4	131.5	15.6 15.73	26.2	95.3	27.8	22.15 22.25
CBA415-SRX	9.7	57.2	.313-18 UNC	28.6	73.8	147.6	19.1	56.4	131.5	15.59 15.75	26.2	95.3	27.8	22.12 22.22
CBA420-SRX	12.7	76.2	.375-16 UNC	38.1	85.1	169.9	19.1	71.3	158.9	22.09 21.09	26.2	117.5	35.1	28.5 28.6
CBA520-SRX	12.7	76.2	.375-16 UNC	38.1	85.1	169.9	19.1	71.3	158.9	22.09 21.09	26.2	117.5	35.1	28.5 28.6
CBA525-SRX	12.7	88.9	.500-13 UNC	44.5	111.1	222.3	28.4	88.9	192.6	28.33 24.47	38.1	146.1	42.9	38.02 38.12
CBA725-SRX	12.7	88.9	.500-13 UNC	44.5	111.1	222.3	28.4	88.9	192.6	28.32 28.48	38.1	146.1	42.9	38.02 38.12

Note:

Not Certified dimensional drawings. Such drawings available on request.
Contact factory with correct model designation and serial number.
All dimensions are expressed in inches.

Dimensions - (Pneumatic) Mm.

Spring-Return Actuators CBAXXX (cont.)



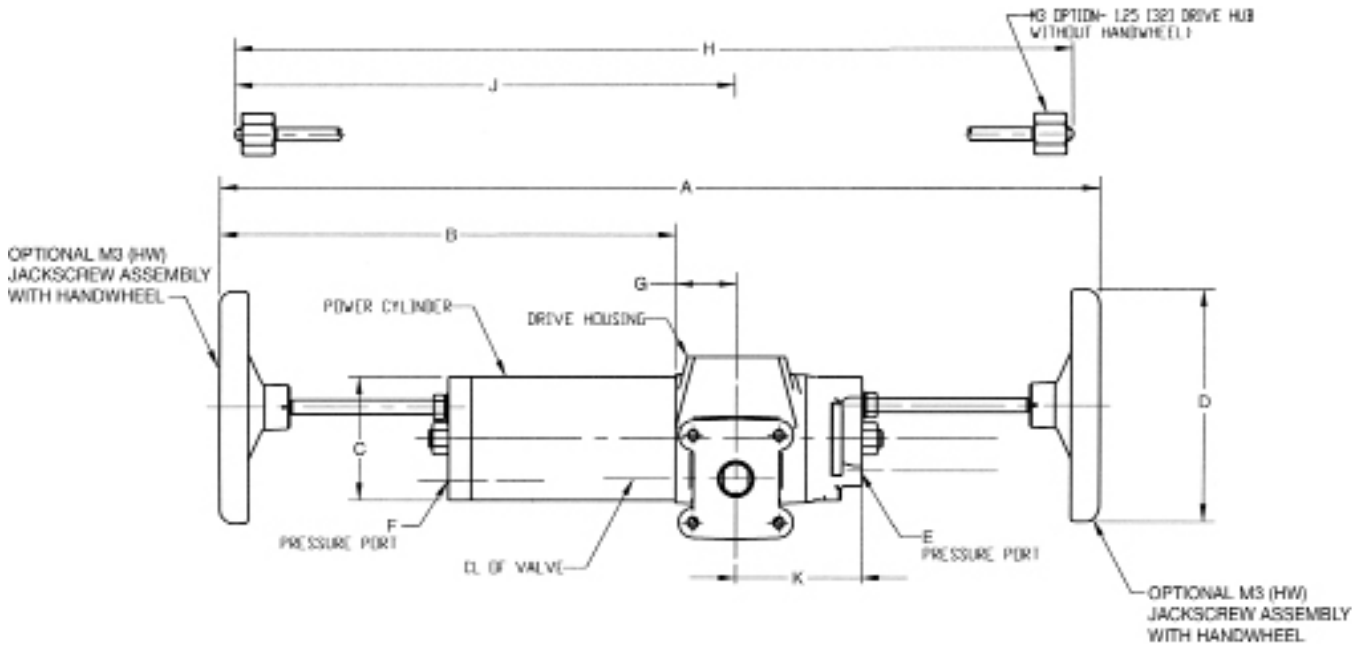
Note:
 Not Certified dimensional drawings. Such drawings available on request.
 Contact factory with correct model designation and serial number.
 All dimensions are expressed in inches.

Dimensions - (Pneumatic) Mm.

M3(HW) Override

Double-Acting Actuators

CBA XXX-M3(HW)



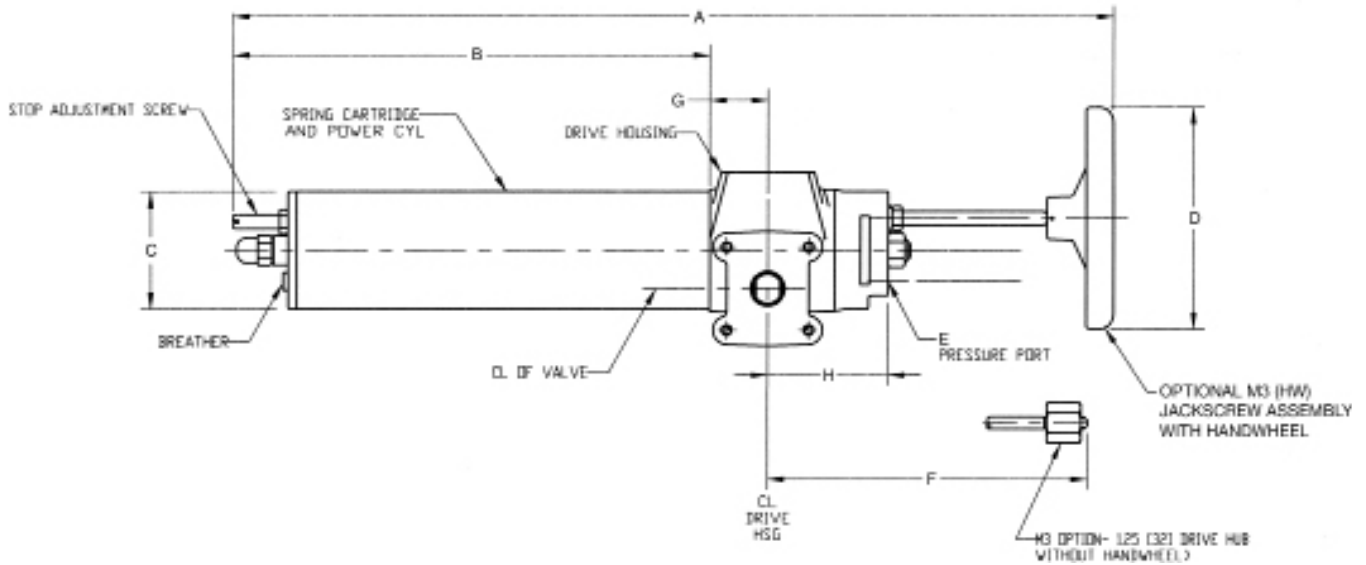
Actuator Model	A	B	C	D	E	F	G	H	J	K
CBA315-M3HW	640.8	365.0	82.6	152.4	1/4" NPT	1/4" NPT	47.6	614.9	365.0	88.2
CBA420-M3HW	776.8	401.8	108.0	203.2	3/8" NPT	3/8" NPT	54.0	739.6	441.1	111.1
CBA520-M3HW	776.8	402.5	133.4	203.2	3/8" NPT	3/8" NPT	53.2	738.0	441.1	111.1
CBA525-M3HW	927.5	480.5	133.4	254.0	3/8" NPT	3/8" NPT	65.0	867.9	515.8	127.0
CBA725-M3HW	930.8	484.6	190.5	254.0	3/8" NPT	3/8" NPT	64.2	867.9	515.8	127.0

Note:

Not Certified dimensional drawings. Such drawings available on request. Contact factory with correct model designation and serial number. All dimensions are expressed in inches.

Dimensions - (Pneumatic) Mm.

Spring-Return Actuators CBAXXX (cont.)



Actuator Model	A	B	C	D	E	F	G	H
CBA315-SR-M3HW	677.1	366.5	82.6	152.4	1/4" NPT	249.9	47.6	88.2
CBA415-SR-M3HW	679.1	368.6	108.0	152.4	1/4" NPT	249.9	47.6	88.2
CBA420-SR-M3HW	816.2	441.3	108.0	203.2	3/8" NPT	297.0	54.0	111.1
CBA420-SR-M3HW	816.8	442.7	136.7	203.2	3/8" NPT	297.0	53.2	111.1
CBA525-SR-M3HW	937.9	491.0	136.7	254.0	3/8" NPT	351.9	65.0	127.0
CBA725-SR-M3HW	939.2	493.1	190.5	254.0	3/8" NPT	352.1	64.2	127.0

Note:

Not Certified dimensional drawings. Such drawings available on request.
Contact factory with correct model designation and serial number.
All dimensions are expressed in inches.

World Area Configuration Centers (WACC) offer sales support, service, inventory and commissioning to our global customers. Choose the WACC or sales office nearest you:

NORTH & SOUTH AMERICA

19200 Northwest Freeway
Houston TX 77065
USA
T +1 281 477 4100
F +1 281 477 2809

Av. Hollingsworth
325 Iporanga Sorocaba
SP 18087-105
Brazil
T +55 15 3238 3788
F +55 15 3228 3300

ASIA PACIFIC

No. 9 Gul Road
#01-02 Singapore 629361
T +65 6777 8211
F +65 6268 0028

No. 1 Lai Yuan Road
Wuqing Development Area
Tianjin 301700
P. R. China
T +86 22 8212 3300
F +86 22 8212 3308

MIDDLE EAST & AFRICA

P. O. Box 17033
Dubai
United Arab Emirates
T +971 4 811 8100
F +971 4 886 5465

P. O. Box 10305
Jubail 31961
Saudi Arabia
T +966 3 340 8650
F +966 3 340 8790

24 Angus Crescent
Longmeadow Business Estate East
P.O. Box 6908 Greenstone
1616 Modderfontein Extension 5
South Africa
T +27 11 451 3700
F +27 11 451 3800

EUROPE

Berenyi u. 72- 100
Videoton Industry Park
Building #230
Székesfehérvár 8000
Hungary
T +36 22 53 09 50
F +36 22 54 37 00

For complete list of sales and manufacturing sites, please visit www.emerson.com/actuationtechnologieslocations or contact us at info.actuationtechnologies@emerson.com

www.emerson.com/bettis

©2017 Emerson. All rights reserved.

The Emerson logo is a trademark and service mark of Emerson Electric Co. Bettis™ is a mark of one of the Emerson family of companies. All other marks are property of their respective owners.

The contents of this publication are presented for information purposes only, and while every effort has been made to ensure their accuracy, they are not to be construed as warranties or guarantees, express or implied, regarding the products or services described herein or their use or applicability. All sales are governed by our terms and conditions, which are available on request. We reserve the right to modify or improve the designs or specifications of our products at any time without notice.