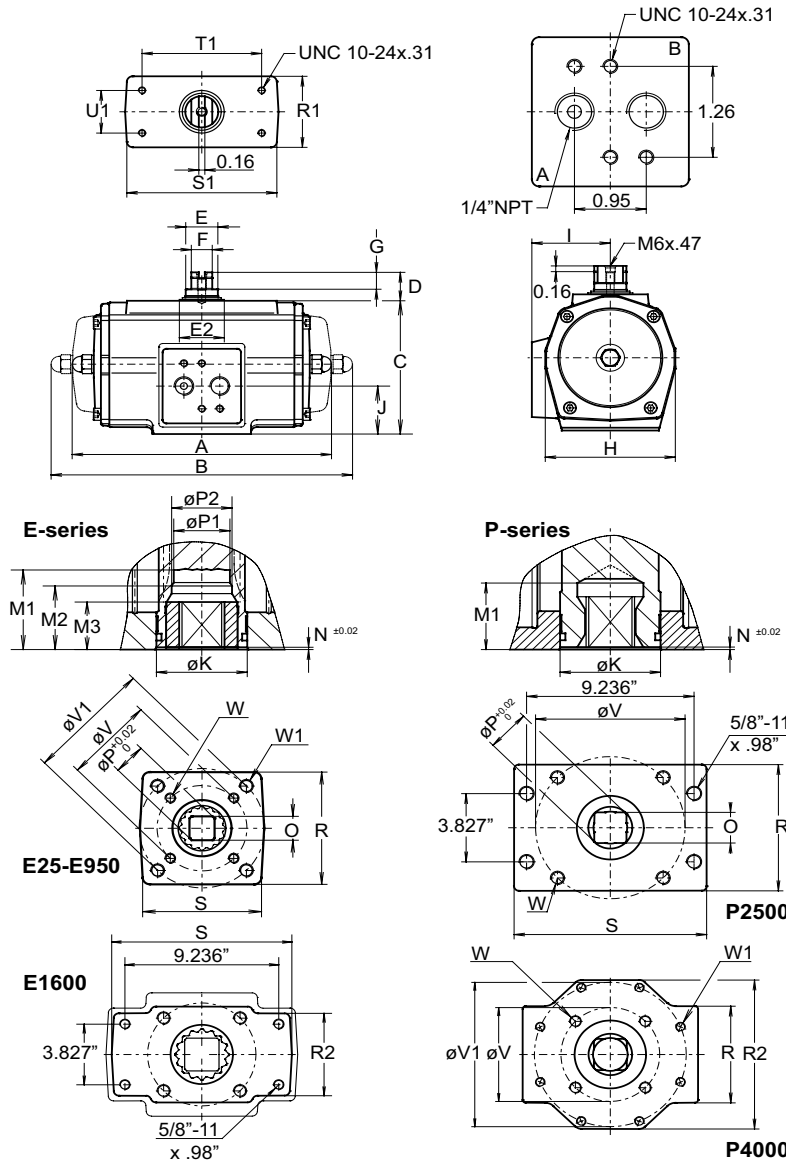


# Data sheet

Sheet No.: A1.103.106 Rev. F  
Date: September 2013

## DIMENSION SHEET STANDARD ACTUATOR - ISO

E/P



Dim. in inch	Actuators E-series										P-series	
	E 12	E 25	E 40	E 65	E100	E150	E200	E 350	E600	E950	E1600	P2500
A DA	6.26	7.09	7.83	8.70	10.00	11.14	12.01	15.24	16.69	20.31	14.88	19.76
B SR	6.77	8.03	9.80	10.51	12.20	14.17	15.24	18.78	20.35	25.08	22.44	32.83
C	3.15	3.66	4.13	4.65	5.51	5.63	7.13	8.66	10.20	11.69	14.02	14.96
D	0.79	0.79	0.79	0.79	0.79	0.79	0.79	1.18	1.18	1.18	1.18	1.18
E	0.63	0.87	0.87	0.87	1.42	1.42	1.42	2.17	2.17	2.52	2.17	2.52
E2	0.91	1.18	1.18	1.18	1.77	1.77	1.77	2.56	2.56	2.95	2.56	3.15
F	0.39	0.55	0.55	0.55	0.75	0.75	0.75	1.42	1.42	1.42	1.42	1.42
G	0.47	0.47	0.47	0.47	0.47	0.47	0.47	0.39	0.39	0.39	0.39	0.39
H	2.91	3.39	3.86	4.25	4.76	5.04	6.81	8.15	9.09	10.43	13.78	14.96
I	1.81	2.09	2.26	2.48	2.76	2.87	3.71	4.45	4.96	5.59	7.28	7.87
J	1.26	1.32	1.54	1.59	1.59	1.99	2.85	3.33	4.15	4.74	7.01	7.48
K	0.94	1.30	1.30	1.50	2.17	2.17	2.17	2.68	2.95	3.74	3.35	4.72
M1	1.36	1.36	1.36	1.36	1.97	1.97	1.97	2.05	2.52	3.23	2.60	3.03
M2	-	-	-	1.06	-	1.46	1.46	-	-	-	-	-
M3	0.669	0.669	0.669	0.787	0.787	1.161	1.161	1.161	1.949	2.303	-	-
N	0.04	0.04	0.04	0.06	0.04	0.06	0.06	0.06	0.06	0.06	0.12	0.06
O max.	0.437	0.556	0.556	0.753	0.753	0.871	1.068	1.068	1.424	1.817	1.817	2.173
O min.	0.433	0.551	0.551	0.748	0.748	0.866	1.063	1.063	1.417	1.811	1.811	2.165
P	0.555	0.713	0.713	0.992	1.110	1.110	1.425	1.425	1.898	2.370	2.370	2.843
P1	0.555	0.713	0.831	0.909	1.303	1.303	1.303	1.437	1.909	2.382	-	-
P2	-	-	-	0.988	1.264	1.264	-	-	-	-	-	-
R	2.05	2.56	2.76	2.76	3.39	3.54	4.49	4.88	5.12	6.06	6.69	6.69
R1	1.97	1.97	1.97	2.36	2.36	2.36	2.36	3.54	3.54	4.92	6.30	6.30
R2	-	-	-	-	-	-	-	-	-	5.20	-	10.31
S	2.05	2.56	2.76	2.76	3.62	3.54	4.49	4.88	5.59	11.02	11.42	11.42
S1	3.94	3.94	3.94	3.94	3.94	3.94	3.94	6.69	6.69	8.27	9.65	9.65
T1	3.150	3.150	3.150	3.150	3.150	3.150	3.150	5.118	5.118	5.118	5.118	5.118
U1	1.181	1.181	1.181	1.181	1.181	1.181	1.181	1.181	1.181	1.181	1.181	1.181
F03	F05	F05	F05	F05	F07	F07	F07	F10	F10	F16	F16	F16
V	1.417	1.969	1.969	1.969	2.756	2.756	2.756	4.016	4.016	6.496	6.496	6.496
W	10-24 x.31"	1/4"-20 x.39"	1/4"-20 x.39"	1/4"-20 x.39"	5/16"-18 x.39"	5/16"-18 x.39"	5/16"-18 x.39"	3/8"-16 x.63"	3/8"-16 x.63"	3/4"-10 x1.14"	3/4"-10 x1.14"	3/4"-10 x1.14"
V1	1.969	2.756	2.756	2.756	4.016	4.016	4.016	4.921	5.512	-	-	10.000
W1	1/4"-20 x.39"	5/16"-18 x.39"	5/16"-18 x.39"	5/16"-18 x.39"	3/8"-16 x.63"	3/8"-16 x.63"	3/8"-16 x.63"	1/2"-13 x.79"	5/8"-11 x.98"	-	-	5/8"-11 x.98"

For E12 dimensions see data sheet A1.103.102

- Note**
1. Flange and square drive to ISO 5211
  2. Top and solenoid flange to VDI/VE 3845 (NAMUR)
  3. For P-series actuators with limit stops see A1.501.01



www.El-O-matic.com

Copyright © Emerson Process Management. The information in this document is subject to change without notice.

Updated data sheets can be obtained from our website [www.El-O-Matic.com](http://www.El-O-Matic.com) or from your nearest Valve Automation Center **USA:** +1 281 477 4100 **Europe:** +31 74 256 10 10 **Asia-Pacific:** +65 6501 4600



**EMERSON**  
Process Management