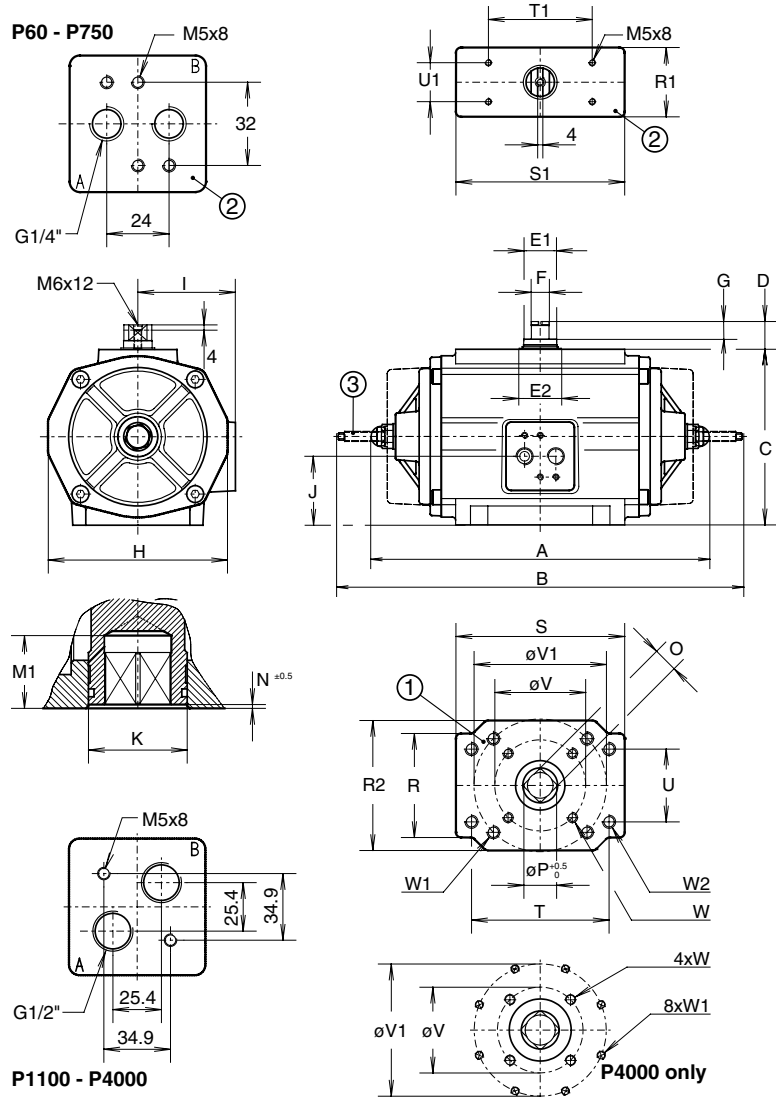


Data sheet

Sheet No.: 1.203.011 Rev. A
Date: November 2009

DIMENSION SHEET STANDARD 180° ACTUATOR

180°



Dim. in mm.	ACTUATOR TYPE								
	E12	P60	P150	P280	P500	P750	P1100	P2500	P4000
A DA	233	295	354	414	447	502	633	752	
B SR	256	332	434	497	553	641	817	1091	
C	101	135	160	190	234	247	356	380	
D	20	20	20	30	30	30	30	30	
E1	16	22	26	36	36	45	55	64	
E2	23	30	35	45	45	55	65	80	
F	10	14	14	19	19	30	36	36	
G	12	12	12	19	19	10	10	10	
H	101	138	168	192	239	250	344	372	
I	58	75	89	109	134	135	183	200	
J	43	53	69	95	116	125	178	190	
K	28	38	48	56	56	75	85	120	
M1	27	27	31	38	38	51	66	77	
N	1	1	1.5	1.5	2	2.5	3	1.5	
O max.	14.11	17.11	22.13	27.13	27.13	36.16	46.16	55.19	
O min.	14.00	17.00	22.00	27.00	27.00	36.00	46.00	55.00	
P	18.1	25.2	28.2	36.2	36.2	48.2	60.2	72.2	
R	60	80	101	111	140	140	170	170	
R1	51	60	71	81	100	120	160	160	
R2	70	100	-	-	-	-	-	262	
S	111	130	141	161	210	210	290	290	
S1	111	130	141	141	160	210	245	245	
T	-	-	-	-	-	-	234.6	-	
T1	80	80	80	130	130	130	130	130	
U	-	-	-	-	-	-	97.2	-	
U1	30	30	30	30	30	30	30	30	
V	F05	F07	F07	F10	F10	F14	F16	F16	
W	M6x9	M8x13	M8x13	M10x16	M10x16	M16x20	M20x30	M20x30	
V1	F07	F10	F10	F12	F12	-	-	F25	
W1	70	102	102	125	125	-	-	254	
W2	M8x13	M10x16	M10x16	M12x16	M12x16	-	-	M16x25	
	-	-	-	-	-	-	M16x25	-	

For E12 dimensions see 1.103.102

Note

- Flange to ISO 5211, square drive to DIN 3337
- Top and Solenoid flange to VDI/VDE 3845 (NAMUR).
P1100 P2500 and P4000 have a non-NAMUR solenoid flange with 1/2" entries.
- 180° actuators are standard equipped with "L1" limit stops. 120° or 135° rotation is possible with optional LF-option (See data sheet 1.503.01)



www.El-O-matic.com

Copyright © Emerson Process Management. The information in this document is subject to change without notice.

Updated data sheets can be obtained from our website www.El-O-matic.com or from your nearest Valve Automation Center **USA:** +1 813 319 0266 **Europe:** +31 74 256 10 10 **Asia-Pacific:** +65 6501 4600



EMERSON
Process Management