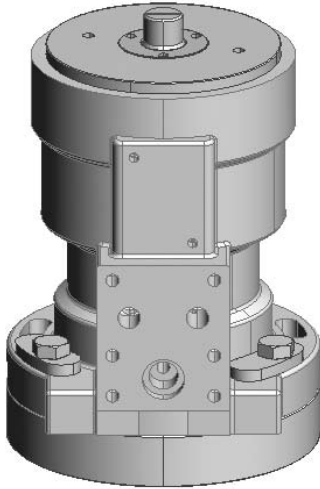


## Hydraulic Double-acting Balanced Rotary Actuator 90° Quarter-turn

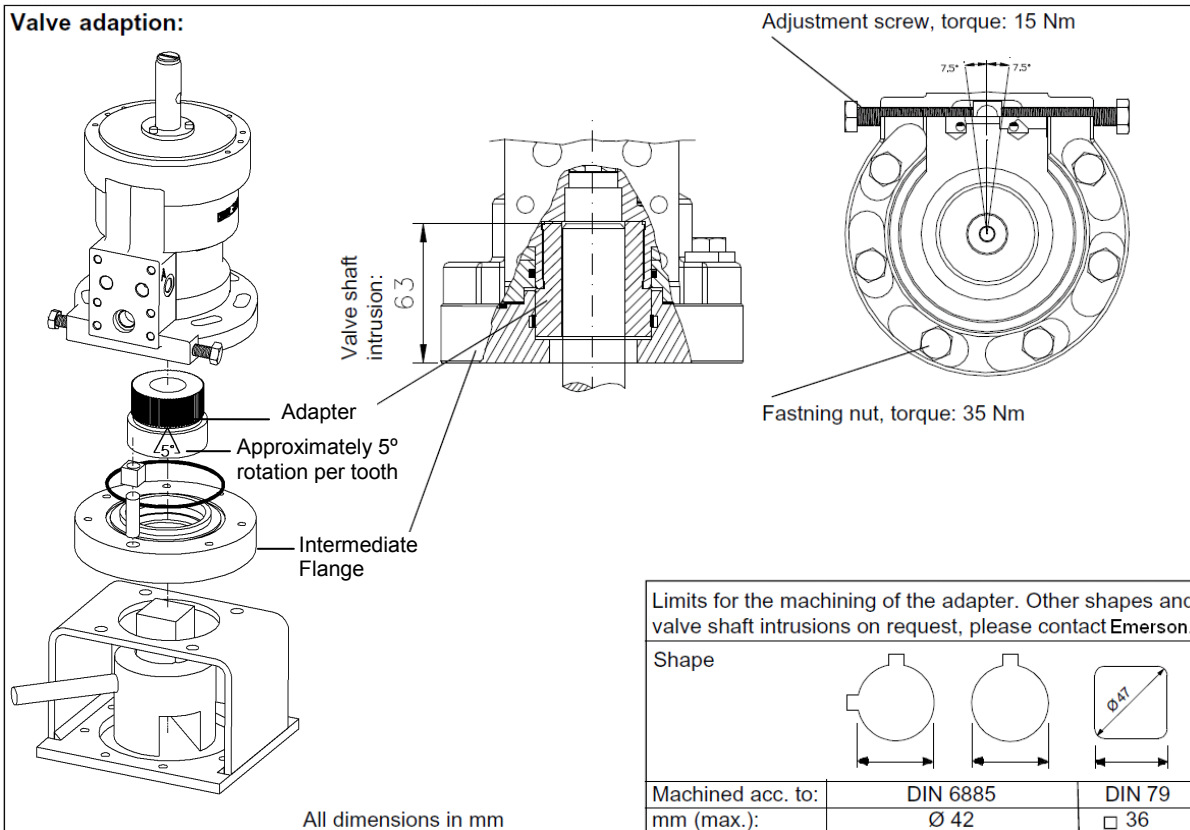
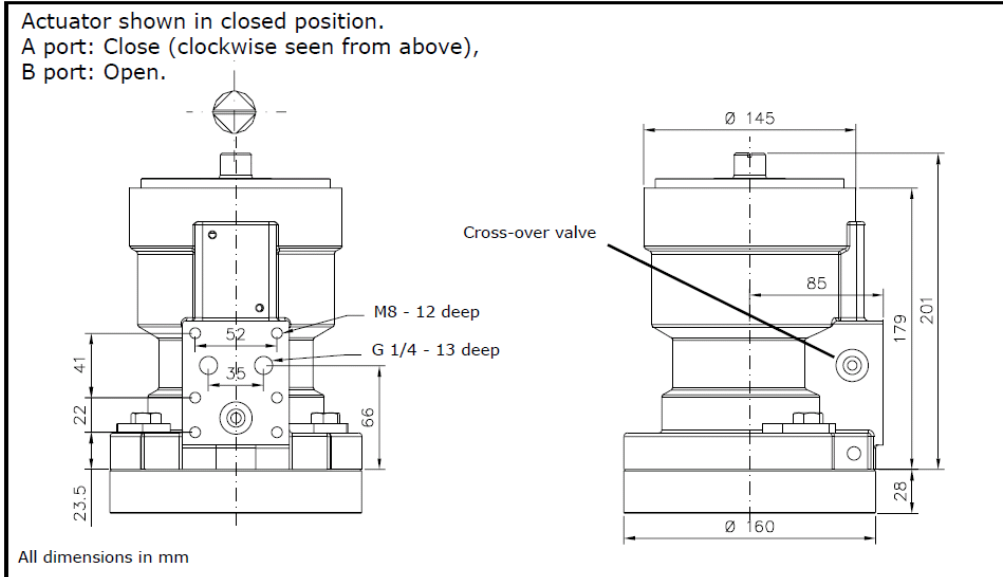


### Technical Specifications

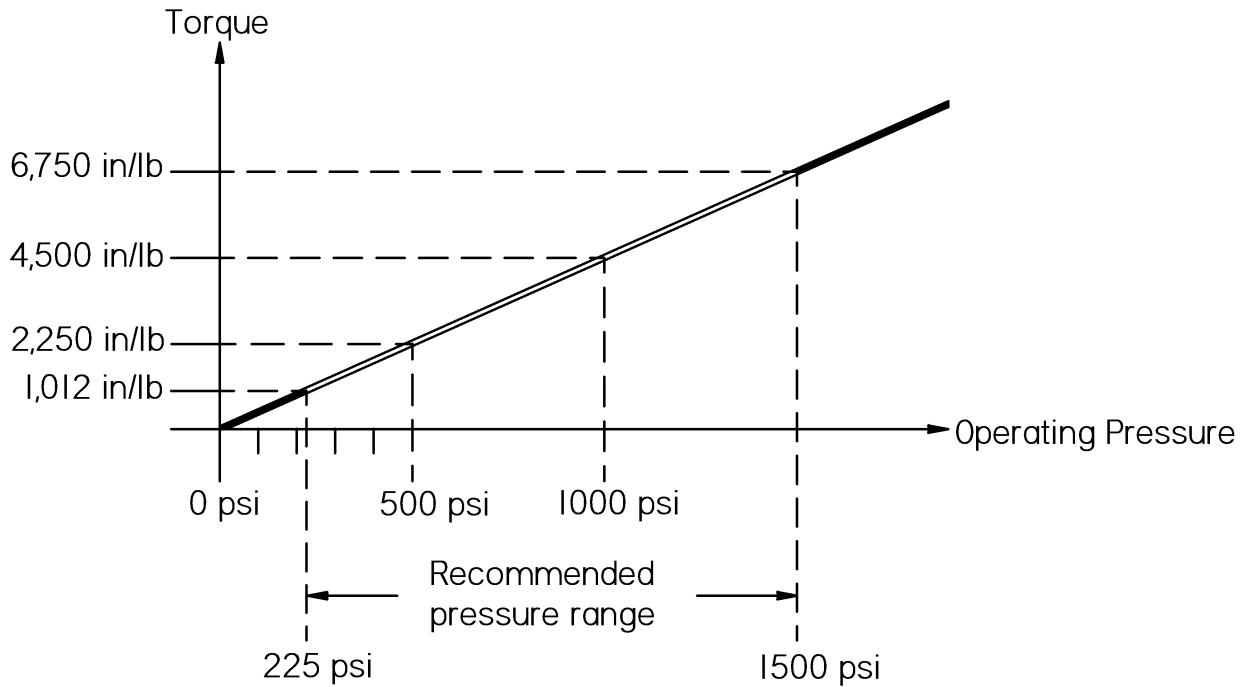
Pressure range:	225 psig to 1,500 psig
Burst test:	9790 psig
Total dry weight including mounting hardware	44 lb
Oil volume	0.06 gal
Temperature range:	-20°F to 120°F
Rotation:	90°±1°
Hydraulic fluid and viscosity	We recommend acid-free hydraulic oil. Viscosity range 13-35 cSt @ 40°C (85-120 SUS @ 104°F). For recommended brands and other types of fluid, please refer to separate data sheet.

# Shafer SH 4.5

## Main Dimensions



## Performance



The Emerson logo is a trademark and service mark of Emerson Electric Co. Shafer and the Shafer logo are registered trademarks of Shafer Valve. All rights reserved. The contents of this publication are presented for information purposes only, and while effort has been made to ensure their accuracy, they are not to be construed as warranties or guarantees, expressed or implied, regarding the products or services described herein or their use or applicability. All sales are governed by our terms and conditions, which are available upon request. We reserve the right to modify or improve the designs and specifications of our products at any time without notice. Emerson accepts no responsibility for any errors that may appear in this publication.

**Emerson Process Management**

**Valve Automation Inc.**

2500 Park Avenue West

Mansfield, Ohio 44906

T 1 (419) 529-4311

F 1 (419) 529-3688

[www.EmersonProcess.com/ValveAutomation/Shafer](http://www.EmersonProcess.com/ValveAutomation/Shafer)