

Installation Instructions

SH/Install/072109

October 27, 2009

Shafer SH-Series

Installation Instructions



Shafer SH-Series

Installation Instructions

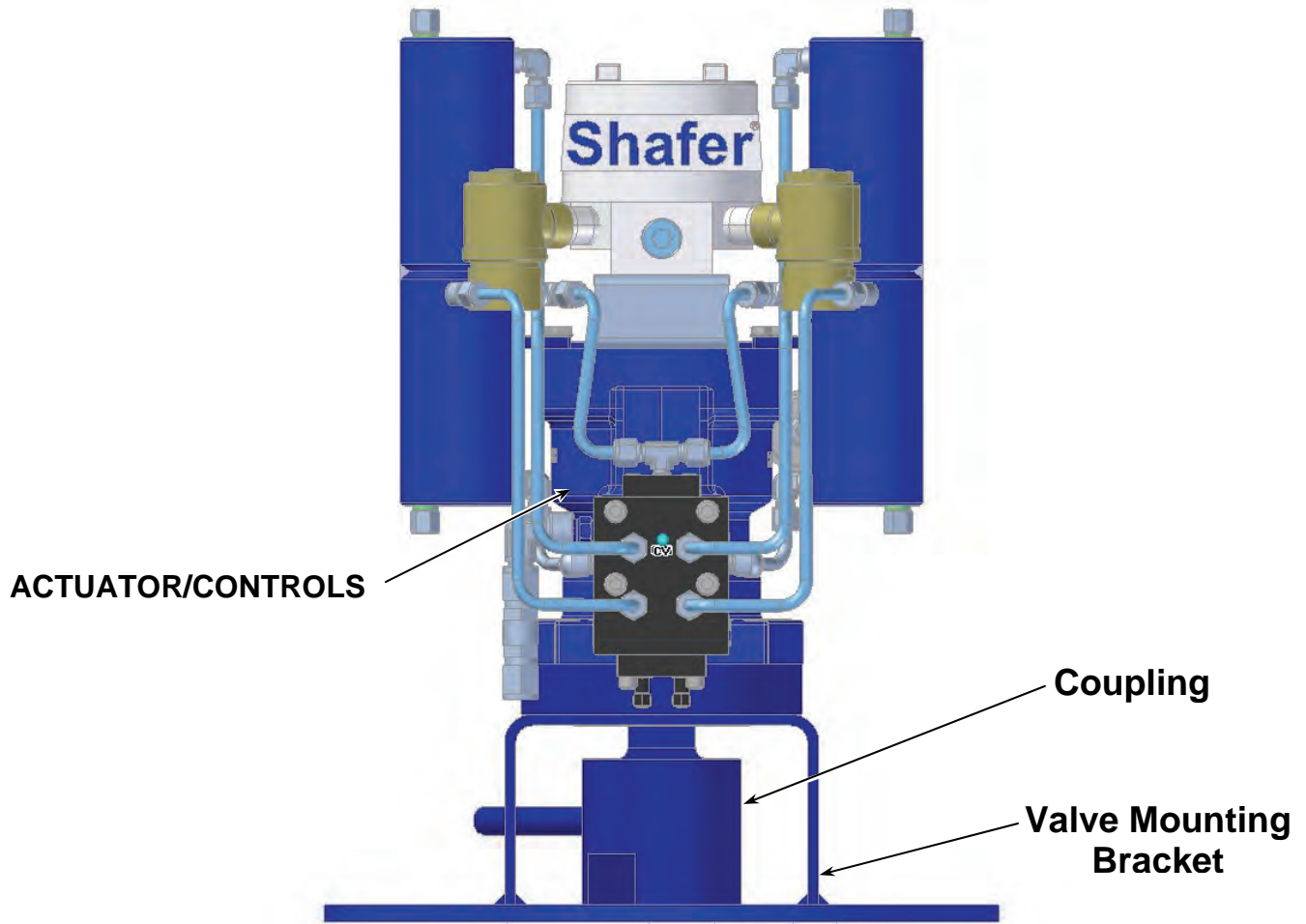
SH/Install/072109

July 28, 2009

Installation Instructions

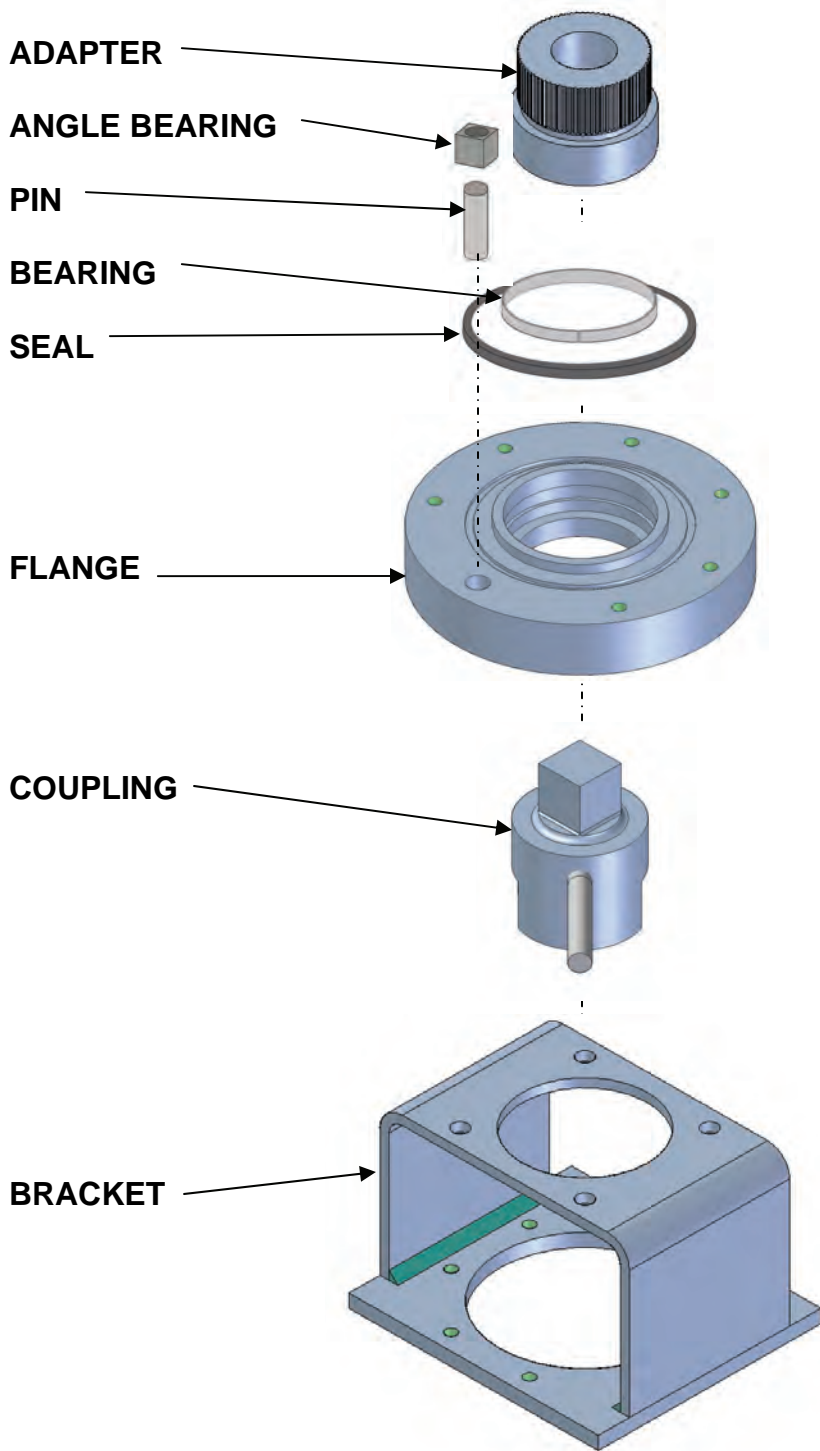
SH/Install/072109
July 28, 2009

Shafer SH-Series



**SH-SERIES
INSTALLED ON VALVE**

Shafer SH-Series



ADAPTION PARTS

Installation Instructions

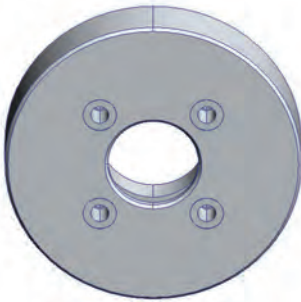
SH/Install/072109

July 28, 2009

Shafer SH-Series



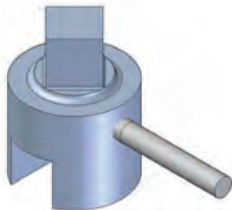
FLANGE TOP
machined to fit
actuator



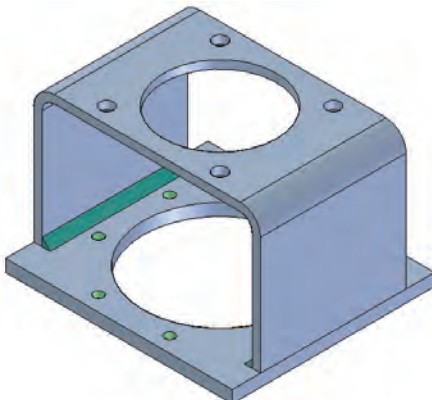
FLANGE BOTTOM
machined to fit
bracket



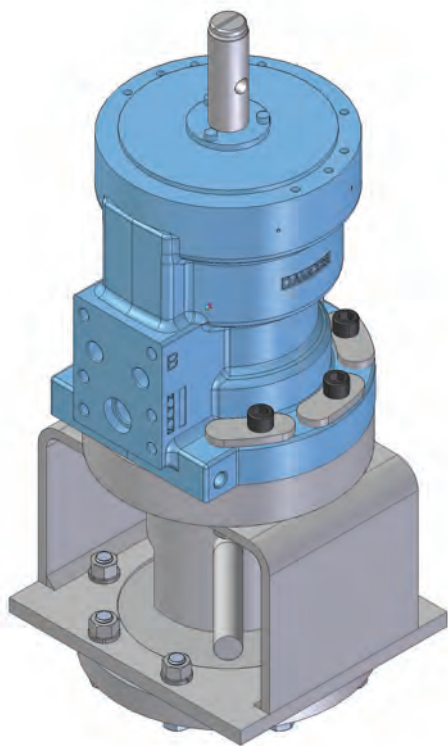
ADAPTER
machined to fit
top of coupling



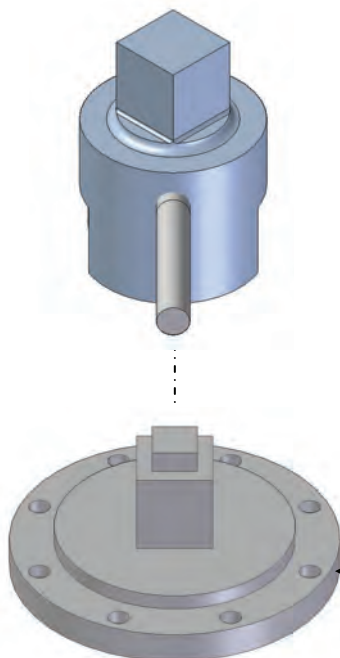
COUPLING
top machined to fit
bottom of adapter
bottom machined to fit
valve stem



Bracket:
top machined to fit bottom
of flange, bottom machined
to fit valve



STEP BY STEP INSTALLATION OF AN SH-SERIES ACTUATOR ON VALVE



1. Determine orientation and mount the coupling on the valve stem

NOTE: Valve shown in open position.

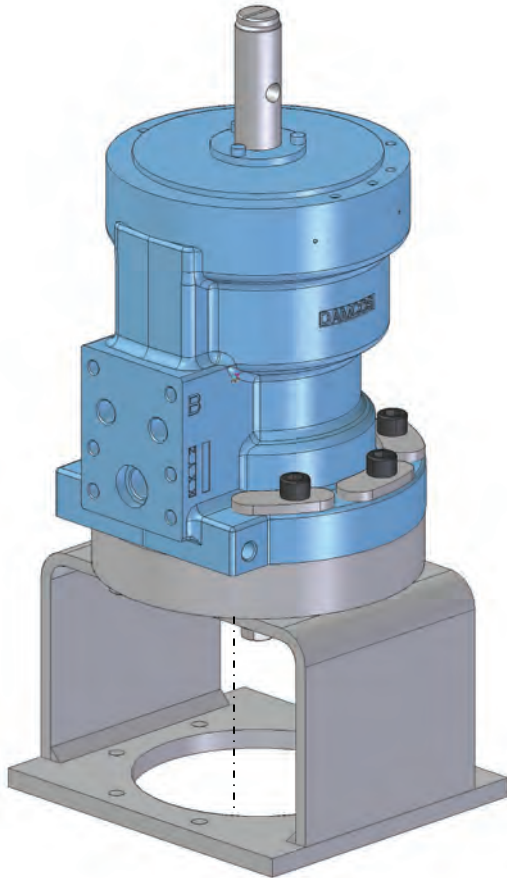
Simulated valve stem
and mounting surface

Installation Instructions

SH/Install/072109

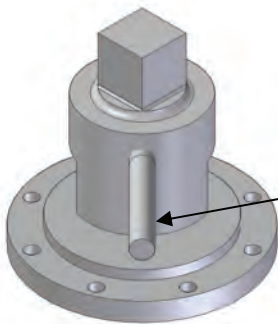
July 28, 2009

Shafer SH-Series

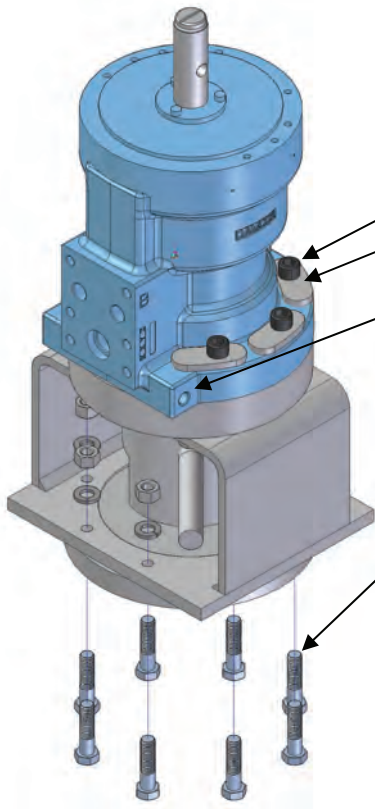


2. With the Actuator Assembly supported by a proper means, work the Bracket down over the handle until the Bracket rests on the valve. (NOTE: Handle may be removed for clearance. Replace and tighten after the Bracket is seated.)

Actuator shown without controls for clarity. It will ship fully assembled

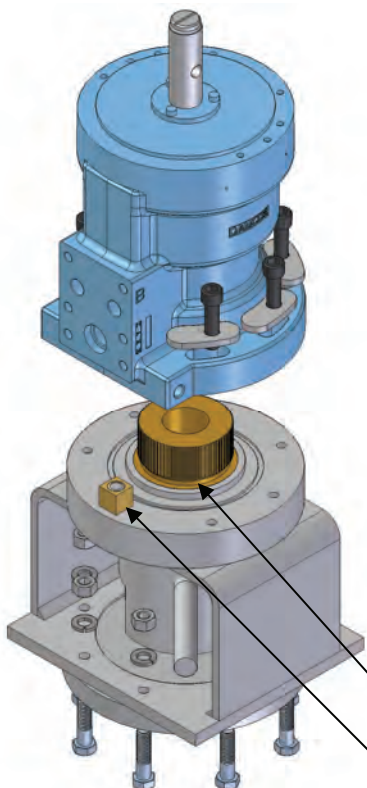


Handle is threaded so it can be removed for ease of assbly.



- Socket Head Cap screws
 - Banana Washers
 - Adjusting Screws, one each side (not shown)
 - 3/8" Dia. Hex Head Screws
- 3. Fasten the Bracket to the valve using the 3/8" dia. hex head cap screws, lock washers and hex nuts supplied. It may be necessary to loosen the socket head cap screws retaining the banana washers and turn the bracket using the adjusting screws to line up the bolt holes.**

If unable to achieve alignment, the adapter will have to be turned one tooth in the required direction, see Step 4.



- 4. Remove the 3/8" socket head cap screws and banana washers. Lift the actuator off the adapter, see illustration at the left. Now turn the bracket to line up the bolt holes and install the 3/8" hex head cap screws, lockwashers and nuts.**

Loosen the adjusting screws to allow them to pass angle bearing and lower the actuator back onto the adapter. Use care aligning the spline in the adapter with the one on the actuator.

Replace the 3/8" socket head cap screws and banana washers and tighten. Tighten the Hex head cap screws and nuts. Tighten the adjusting screws against the angle bearing

Adapter
Angle Bearing

Installation Instructions

SH/Install/072109

July 28, 2009

Shafer SH-Series

Adjustment Available		
Size	Angle adj.+/- With Screws	With Adapter
SH-4.5	7,5°	5°/tooth
SH-9.0	7,5°	5°/tooth
SH-18.0	7,5°	5°/tooth

North & South America

18703 GH Circle
PO Box 508
Waller, Texas 77484
USA
T +1 281 727 5300
F +1 281 727 5353

2500 Park Avenue West
Mansfield, Ohio 44906
USA
T +1 419 529 4311
F +1 419 529 3688

9009 King Palm Drive
Tampa, Florida 33619
USA
T +1 813 630 2255
F +1 813 630 9449

4112-91A Street
Edmonton, Alberta T6E5V2
Canada
T +1 780 450 3600
F +1 789 450 1400

AV. Hollingsworth, 325
Iporanga
Sorocaba, SP 18087-105
Brazil
T +55 15 3238 3788
F +55 15 3228 3300

Europe

Asveldweg 11
7556 BT Hengelo (O)
The Netherlands
T +31 74 256 1010
F +31 74 291 0938

Siemensring 112
D47877 Willich
Germany
T +49 2154 499 660
F +49 2154 499 6313

30/36 Allee du Plateau
93250 Villemomble
France
T +331 48 122610
F +331 48 122619

6 Bracken Hill
South West Industrial Estate
Peterlee, Co Durham
SR82LS, United Kingdom
T +44 191 518 0020
F +44 191 518 0032

3 Furze Court
114 Wickham, Hampshire
Fareham, Hampshire
PO167SH, United Kingdom
T +44 132 984 8900
F +44 132 984 8901

Middle East & Africa

2 Monteer Road, Isando
Kempton Park, 1600
South Africa
T +27 11 974 3336
F +27 11 974 7005

PO Box 17033
Jebel Ali Free Zone
Dubai,
United Arab Emirates
T +971 4883 5235
F +971 4883 5312

Asia Pacific

19, Kian Teck Crecent,
Singapore 628885
T +65 6501 4600
F +65 6268 0028

9/F Gateway Building
No. 10 Ya Bao Road
Chaoyang District
Beijing, P.R. China
T +86 10 5821 1188
F +86 10 5821 1100

No 15 Xing Wang Road
Wuqing Development Area
Tianjin 301700
P.R. China
T +86 22 8212 3300
F +86 22 8212 3308

Lot 13112, Mukim Labu,
Kawasan Perindustrian Nilai
71807 Nilai, Negeri Sembilan
Malaysia
T +60 6 799 2323
F +60 6 799 9942

471 Mountain Highway
Bayswater, Victoria 3153
Australia
T +61 3 9721 0200
F +61 3 9720 0588

Delphi B-Wing, 601-602, 6th
Floor, Central Avenue,
Hiranandani Business Park,
Powai Mumbai-400093,
Maharashtra India
T +91 22 6694 2711
F +91 22 2825 3394

NOF Shinagawa Konan Building
1-2-5, Higashi-shinagawa
Shinagawa-Ku, Tokyo
140-0002 Japan
T +81 3 5769 6873
F +81 3 5769 6902

Please visit our website for up to date product data. www.shafervalve.com

All Rights Reserved

We reserve the right to modify or improve the designs or specifications of the products mentioned in this manual at any time without notice. Emerson Process Management does not assume responsibility for the selection, use or maintenance of any product. Responsibility for proper selection, use and maintenance of any Emerson Process Management product remains solely with the purchaser.

©2007 Emerson Electric Co.

Shafer™

www.ShaferValve.com



EMERSON™
Process Management