

**1** 1.50-11.5 NPT (2 places) is preferred wire entry. **CAUTION** Conduit must enter at lowest point to prevent water from entering electrical enclosure due to condensation. If hazardous location, conduit seal required at electrical enclosure entrances.

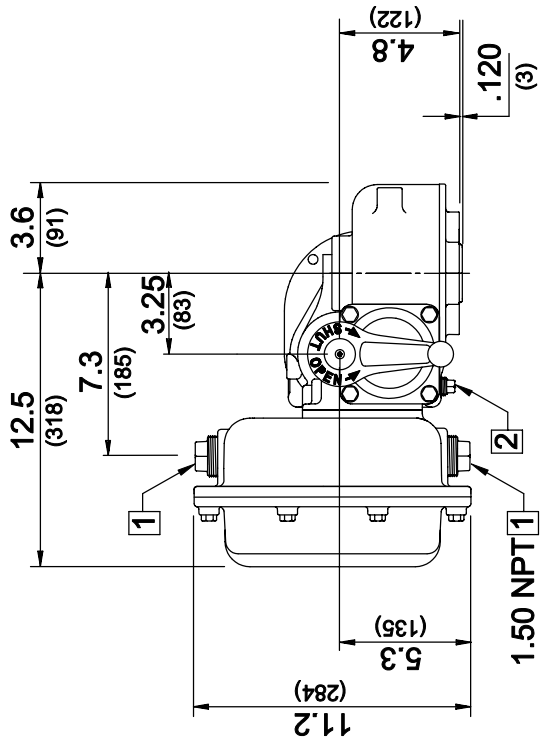
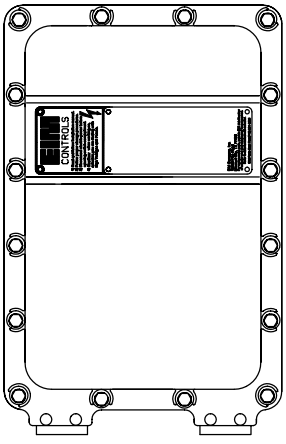
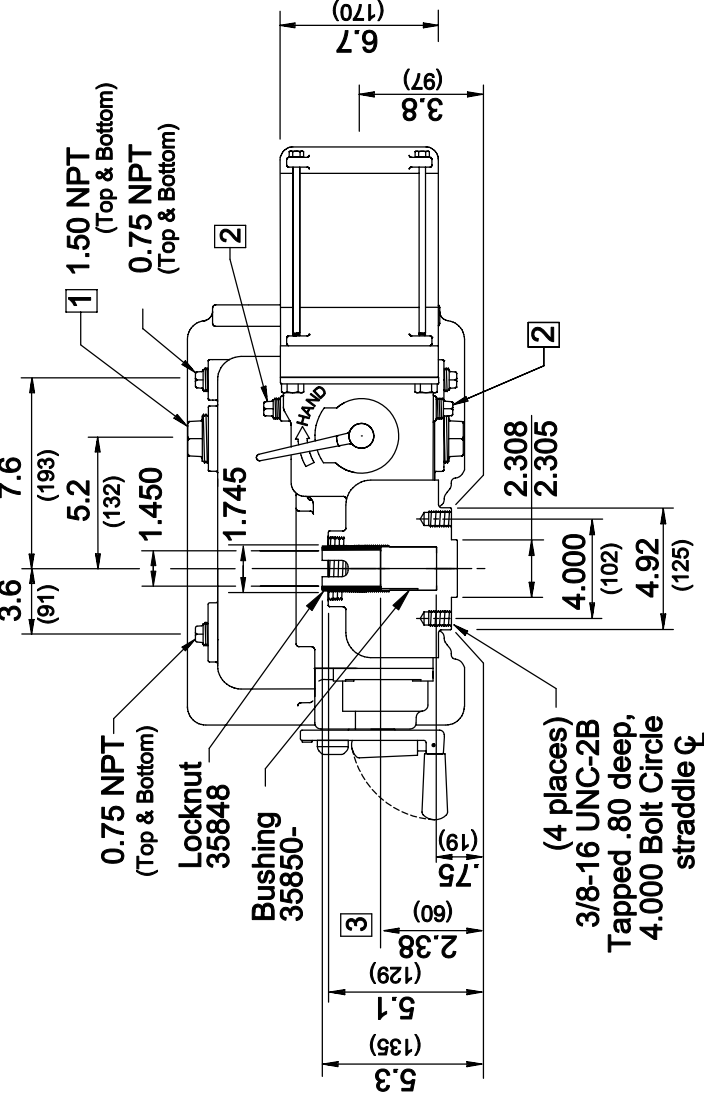
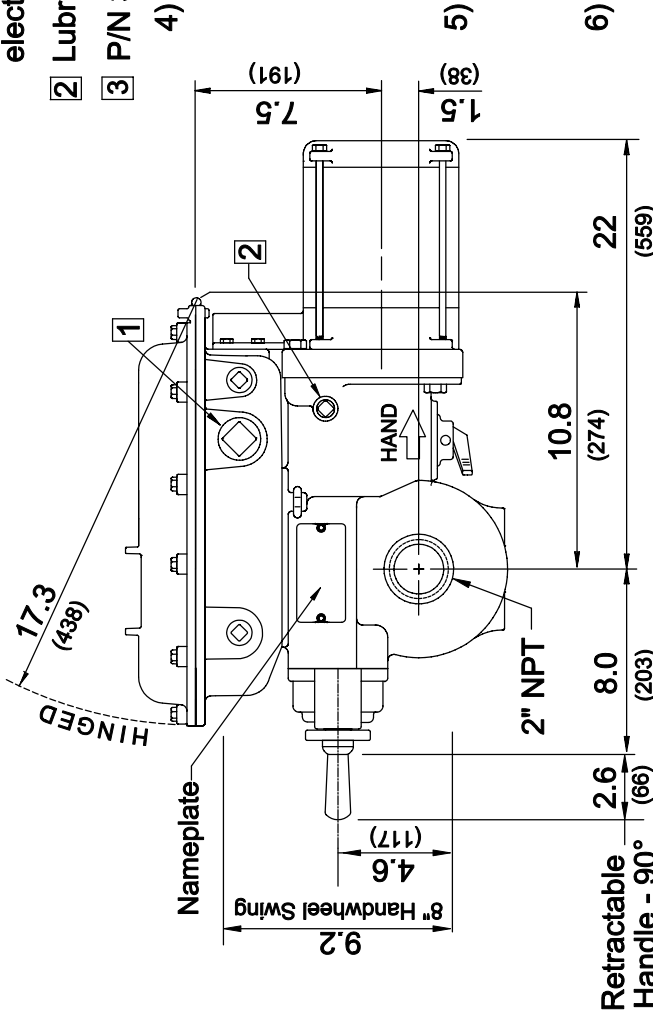
**2** Lubrication 0.50-14 NPT plugs.

**3** P/N 35850 Bushing. Maximum bore stem size is 1.25" (1/4" Sq Key)

**4** For electrical control pilot device elements mounted on actuator control cover, see EIM Job Spec Sheet & Wiring Diagram furnished for each specific Job No.

**5) WARNING:** The installation and servicing instructions are for use by qualified personnel only. To avoid injury and electric shock, do not perform any service on EIM equipment unless qualified.

**6) Installation** shall be in accordance with current edition of National Electrical Code.



INCHES .XXX ± .005"  
(MILLIMETERS) .XX ± .020"  
.X APPROX.

**EIM COMPANY, INC.**  
13840 PIKE ROAD  
CONTROLS MISSOURI CITY, TX 77489

TITLE **Type D M/T 4.00**

B	10/24/05	14227	CML
A	7/18/97		/CML
REV	DATE	ERO	BY

OUTLINE NO. **D-0001/10G B**