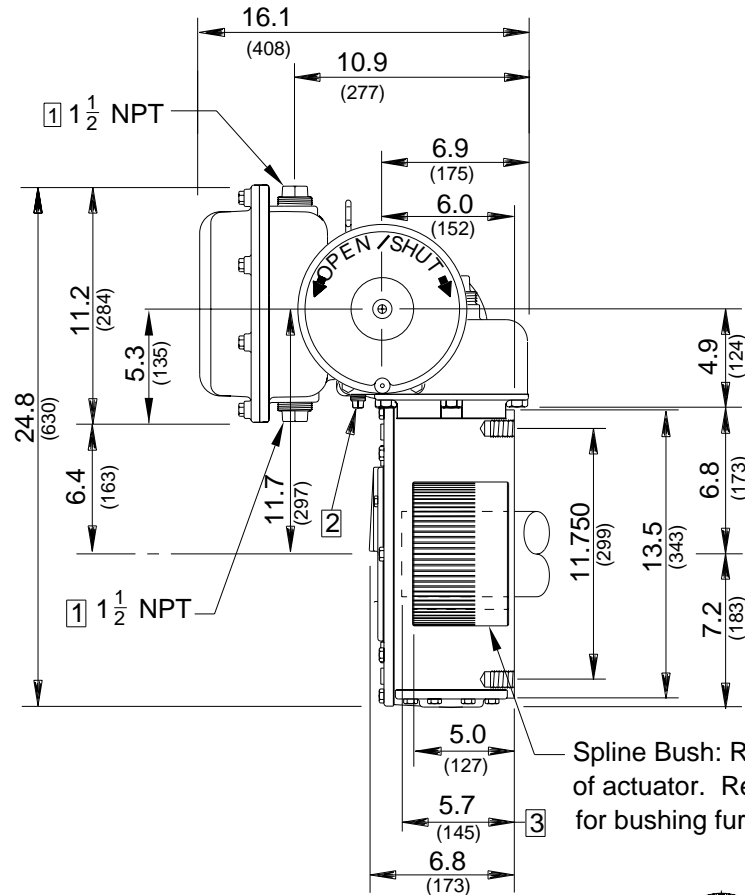
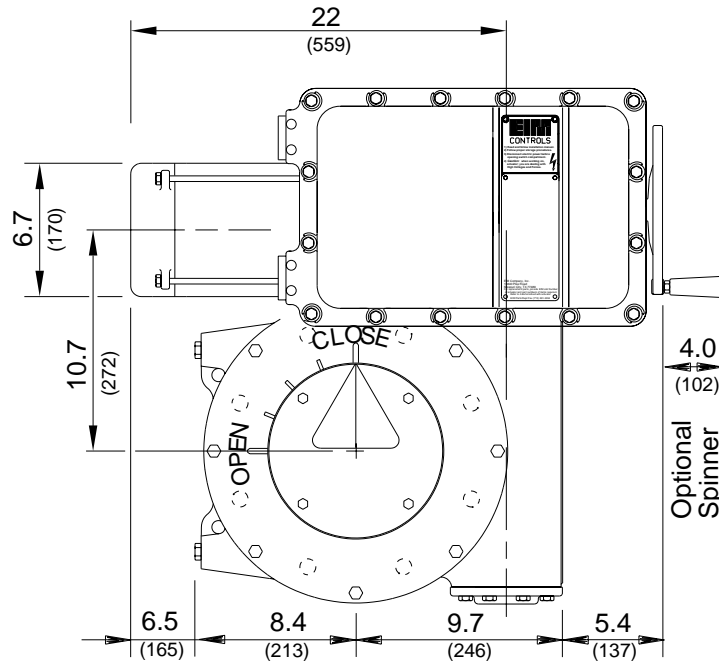
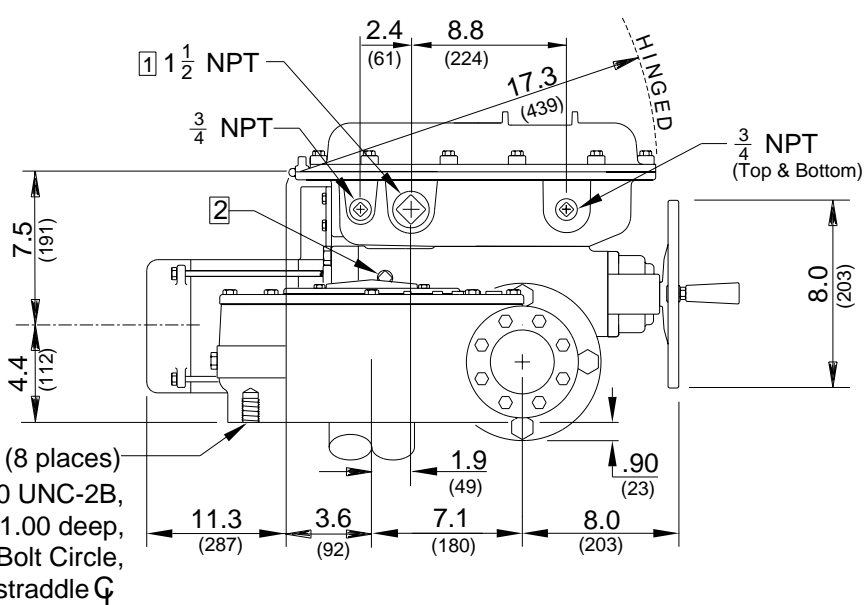
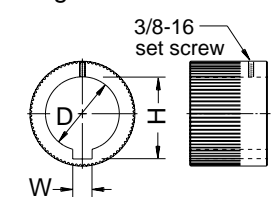


FOR REFERENCE ONLY - DRAWING NOT TO SCALE



Spline Bush: Removable from the bottom of actuator. Refer to EIM Job Spec Sheet for bushing furnished.



(8 places)
3/4-10 UNC-2B,
Tapped 1.00 deep,
11.750 Bolt Circle,
straddle \mathcal{C}_L

- ① 1 1/2 NPT is preferred wire entry. **CAUTION** Conduit must enter actuator at lowest point. If hazardous location conduit must be sealed with drain type fitting.
- ② Lubrication 1/2 -14 NPT plugs.
- ③ Maximum valve stem length into actuator.

INCHES .XXX ± .005"
(MILLIMETERS) .XX ± .020"
.X APPROX.

EIM EIM COMPANY, INC.
13840 PIKE ROAD
CONTROLS MISSOURI CITY, TX 77489

TITLE **M / MG03 1/4 T 11.75"**

A	9/15/95	9803	/CML
REV	DATE	ERO	BY

OUTLINE NO. **M-3001/30G** A

EIM 88862C