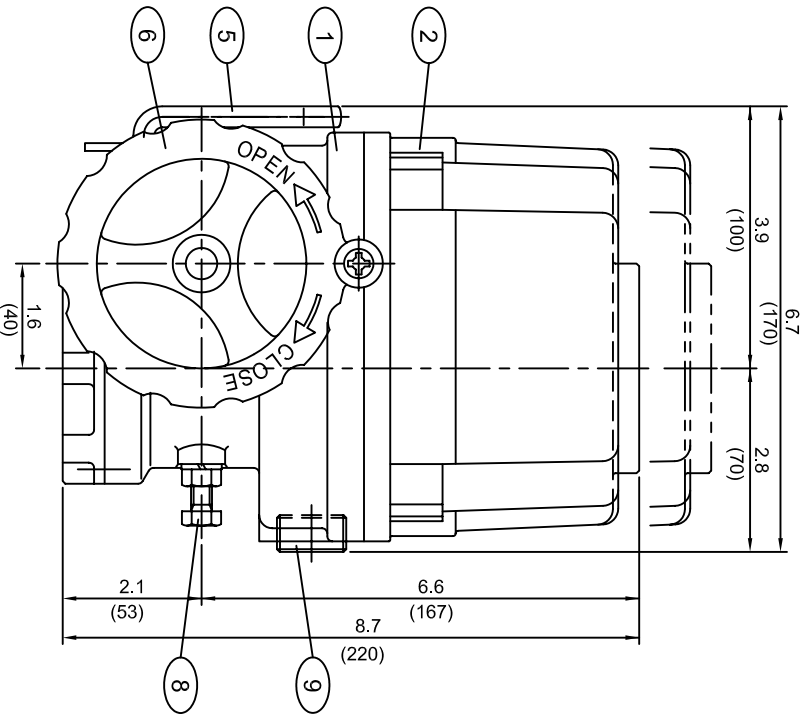
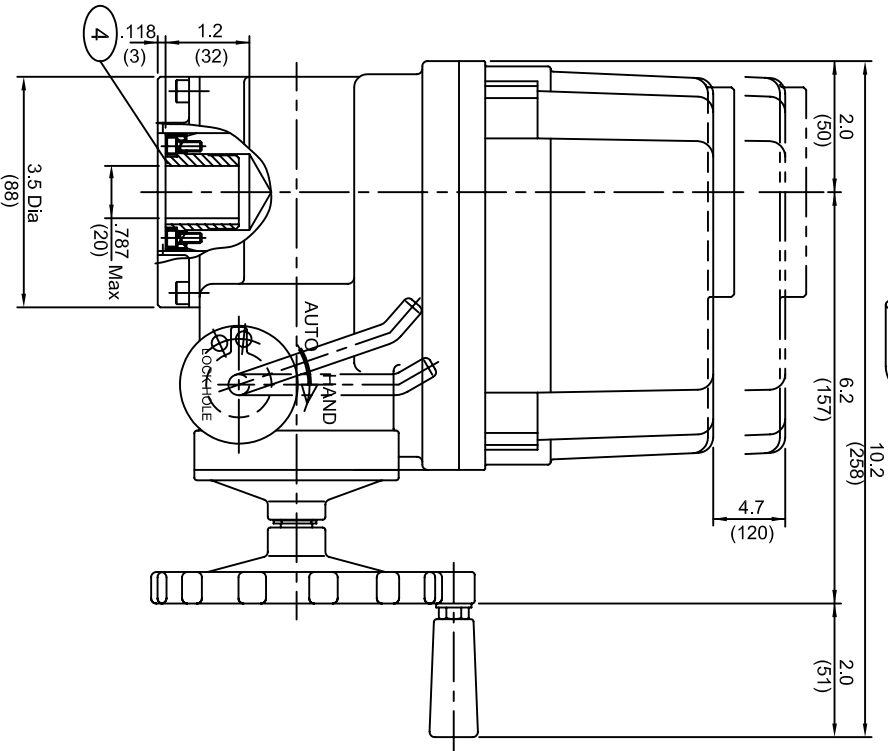



NO	PART NAME	QTY	REMARK
1	BODY	1	
2	TOP COVER	1	
3	BASE	1	
4	DRIVE BUSHING	1	
5	LEVER	1	
6	HANDLE	1	
7	INDICATOR	1	
8	STOPPER BOLTS	2	
9	CONDUIT ENTRIES	2	3/4" NPT
10			
11			
12			



Q008-501-A

INCHES .XXX ± .005"
(MILLIMETERS) .XX ± .020"
.X APPROX.

REV	DATE	ERO	BY	CL
C	03/14/05	14040	CL	CL
B	02/07/05	13977	CL	CL
A	12/16/03	13977	CL	CL


EIM COMPANY, INC.
 13840 PIKE ROAD
 CONTROLS MISSOURI CITY, TX 77489
 TITLE: **HQ-008**
 OUTLINE NO. **HQ-72587**