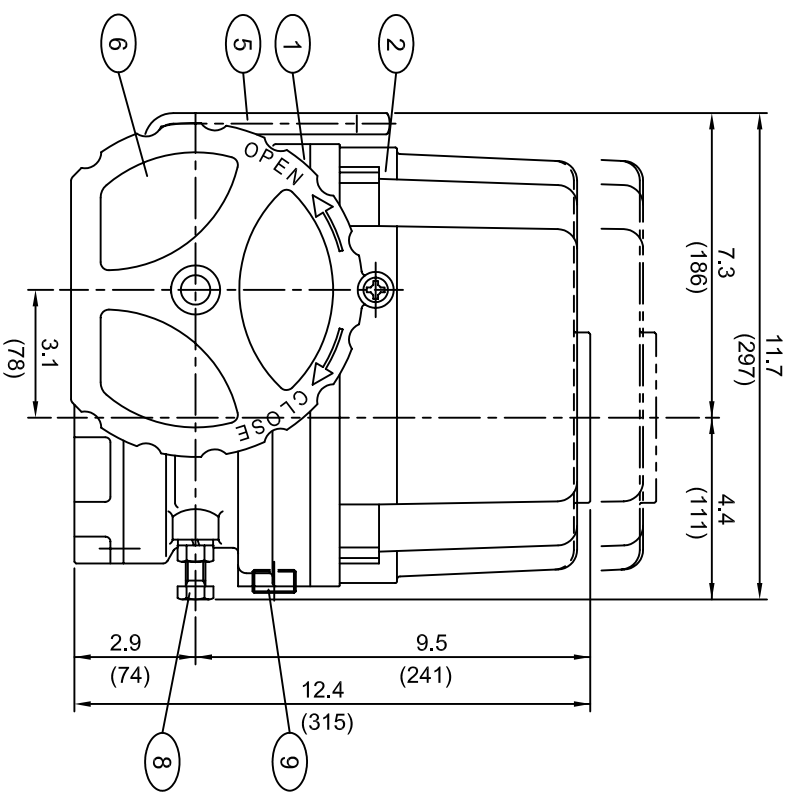
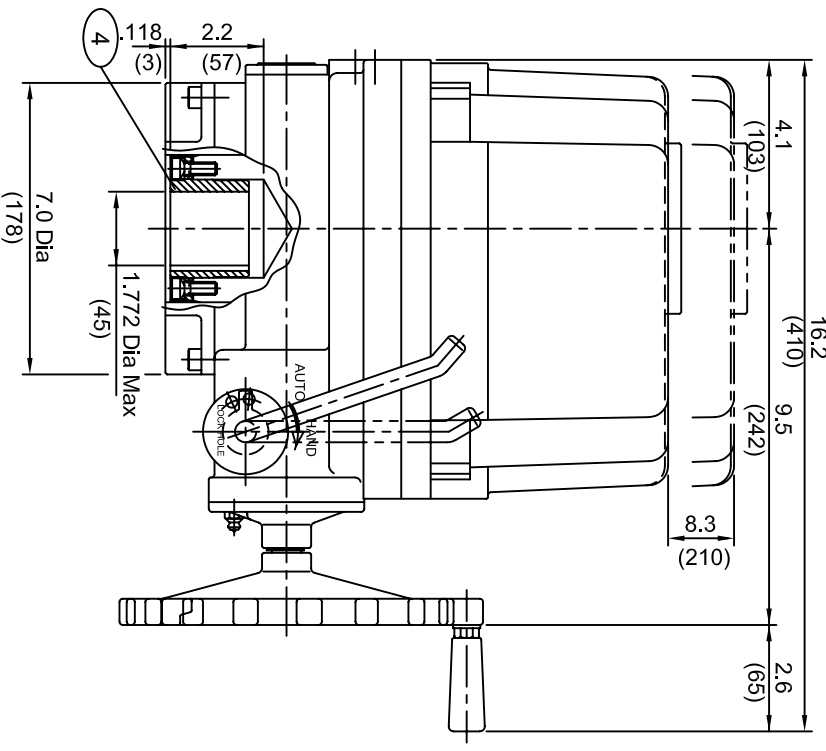


NO	PART NAME	QTY	REMARK
1	BODY	1	
2	TOP COVER	1	
3	BASE	1	
4	DRIVE BUSHING	1	
5	LEVER	1	
6	HANDLE	1	
7	INDICATOR	1	
8	STOPPER BOLTS	2	
9	CONDUIT ENTRIES	2	3/4" NPT
10			
11			
12			



Q-080-501-A

INCHES .XXX ± .005"
(MILLIMETERS) .XX ± .020"
X APPROX.

REV	DATE	BY	CL	CL
C	03/14/05	14040	CL	CL
B	02/07/05	13977	CL	CL
A	01/10/05	13977	CL	CL

OUTLINE NO. HQ-72590

EIM COMPANY, INC.
 13840 PIKE ROAD
 CONTROLS MISSOURI CITY, TX 77489

TITLE: **HQ-080/120**