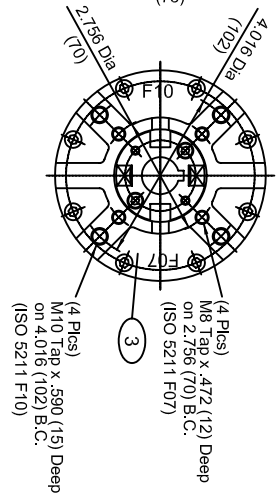
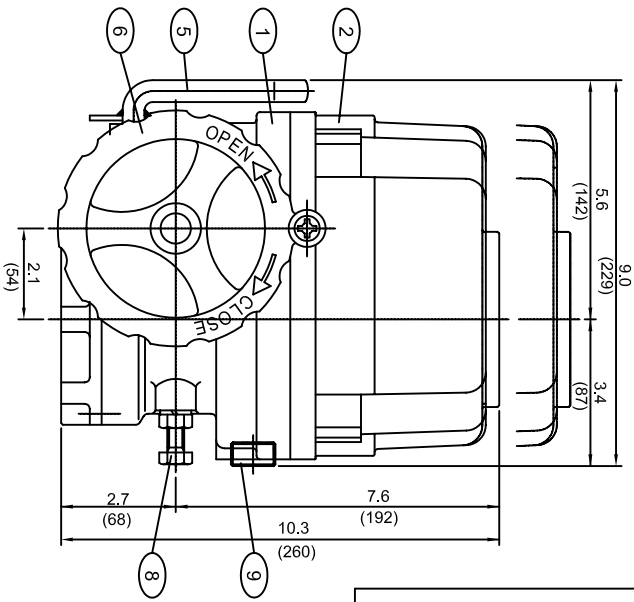
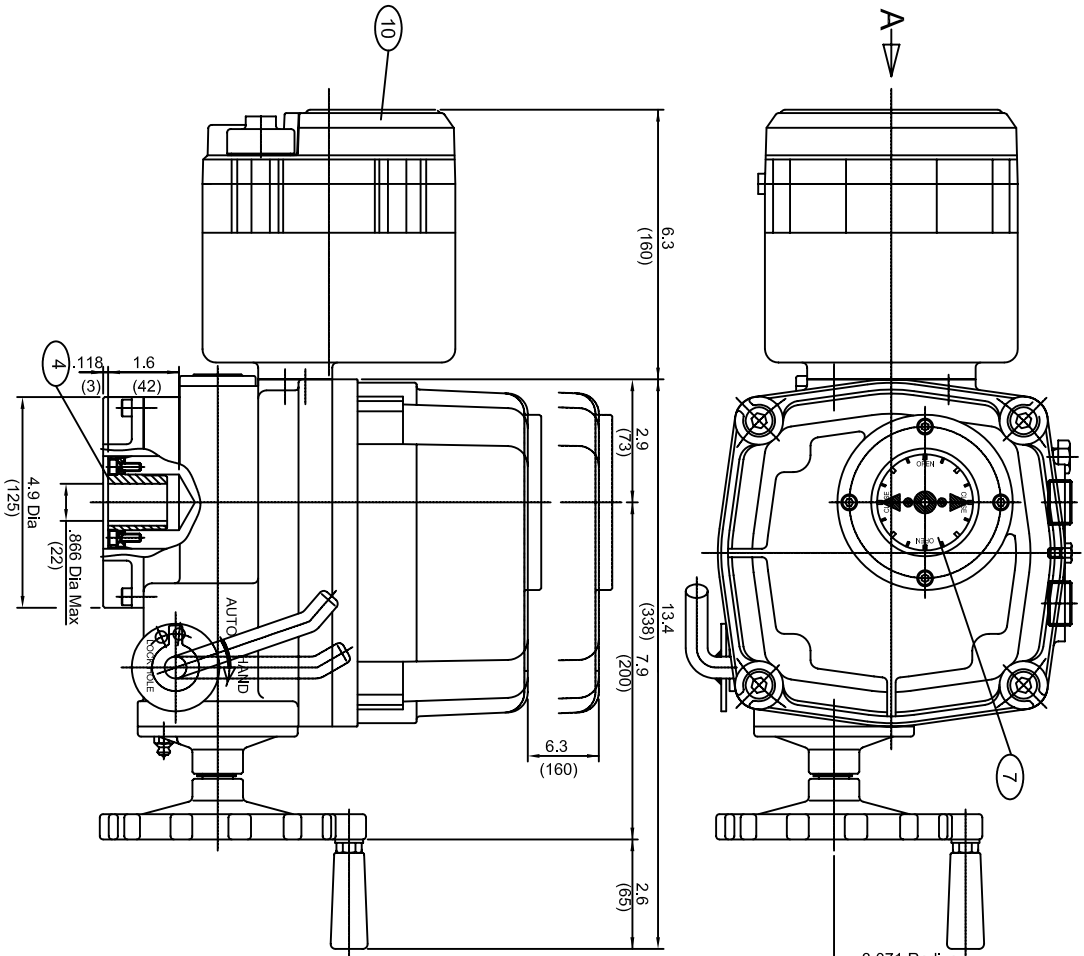
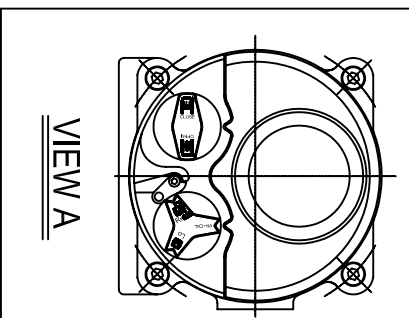


Q015-505-A



NO	PART NAME	QTY	REMARK
1	BODY	1	
2	TOP COVER	1	
3	BASE	1	
4	DRIVE BUSHING	1	
5	LEVER	1	
6	HANDLE	1	
7	INDICATOR	1	
8	STOPPER BOLTS	2	
9	CONDUIT ENTRIES	2	3/4" NPT
10	S-T BOX	1	
11			
12			



INCHES .XXX ± .005"
(MILLIMETERS) .XX ± .020"
APPROX. X

EIM COMPANY, INC.
13840 PIKE ROAD
CONTROLS, MISSOURI CITY, TX 77489

REV	DATE	BY	ERO
C	03/14/05	14040	CL
B	02/07/05	13977	CL
A	1/5/05	13974	CL

HQ-015/020 LCU-AB
OUTLINE NO.: HQ-72594