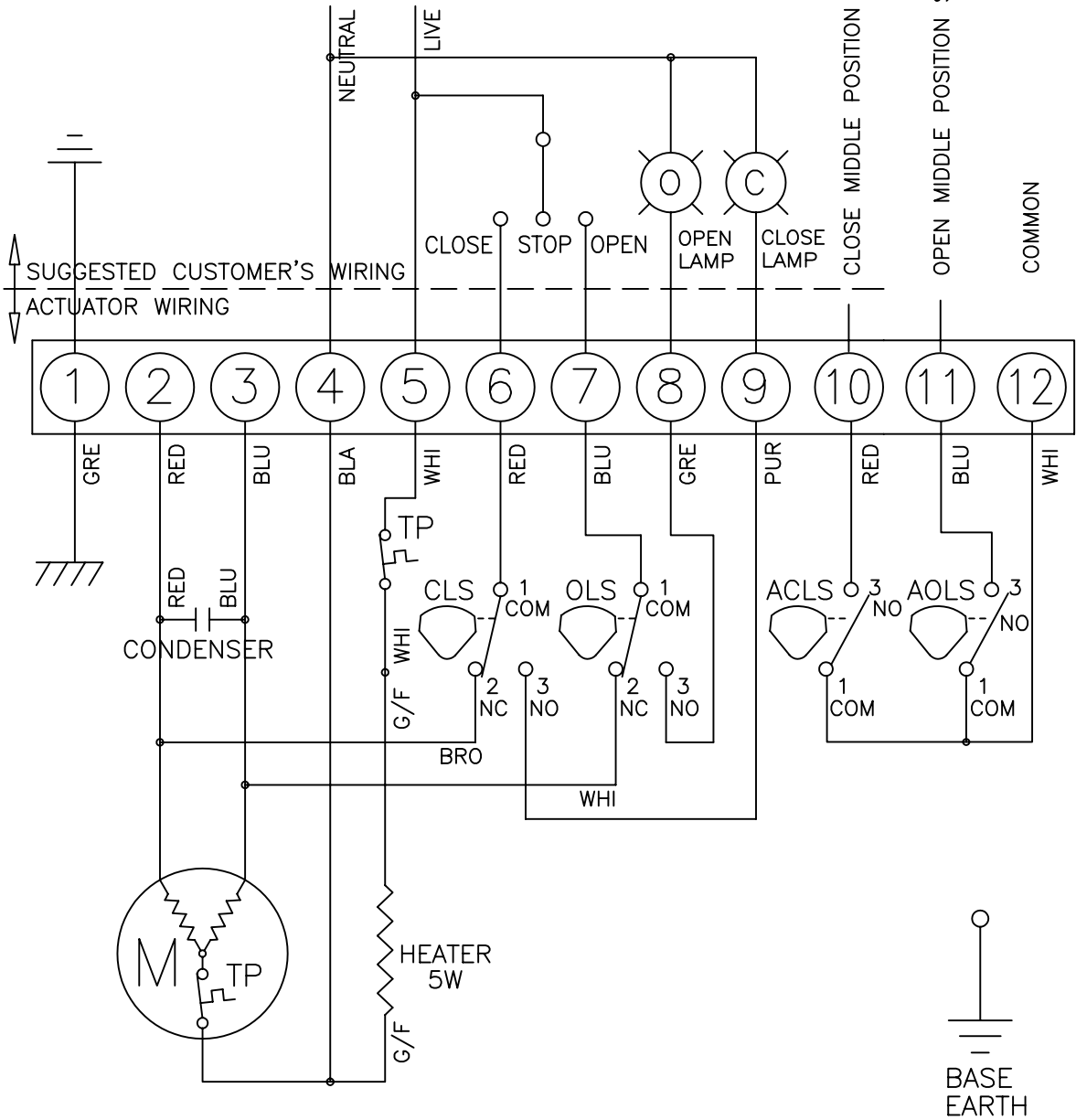


INCOMING POWER
AC 1PH (V)



TORQUE AND LIMIT SWITCH OPERATION

SWITCH	CLOSE ←	INTERMEDIATE	→ OPEN
CLS 1-2			
CLS 1-3			
OLS 1-2			
OLS 1-3			

SYMBOL	DESCRIPTION	RATING
CLS	CLOSE LIMIT SWITCH	250VAC 10A
OLS	OPEN LIMIT SWITCH	250VAC 10A
TP	THERMAL PROTECTOR	250VAC 15A

*EACH ACTUATOR SHOULD BE POWERED THROUGH IT'S OWN INDIVIDUAL SWITCH OR RELAY CONTACTS TO PREVENT CROSS FEED BETWEEN TWO OR MORE ACTUATORS.

DRAW	P.S. KIM	CHECK	
DESIGN	S.M. HAN	APPR.	

DWG. NO HQ-1100-B

ISSU. DEPT. PB | DATE 10-04-2010



HQ-008
APPLICATION