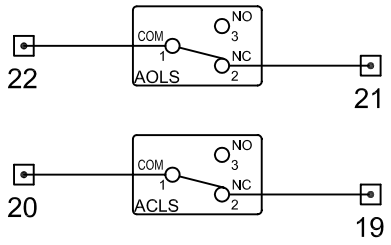
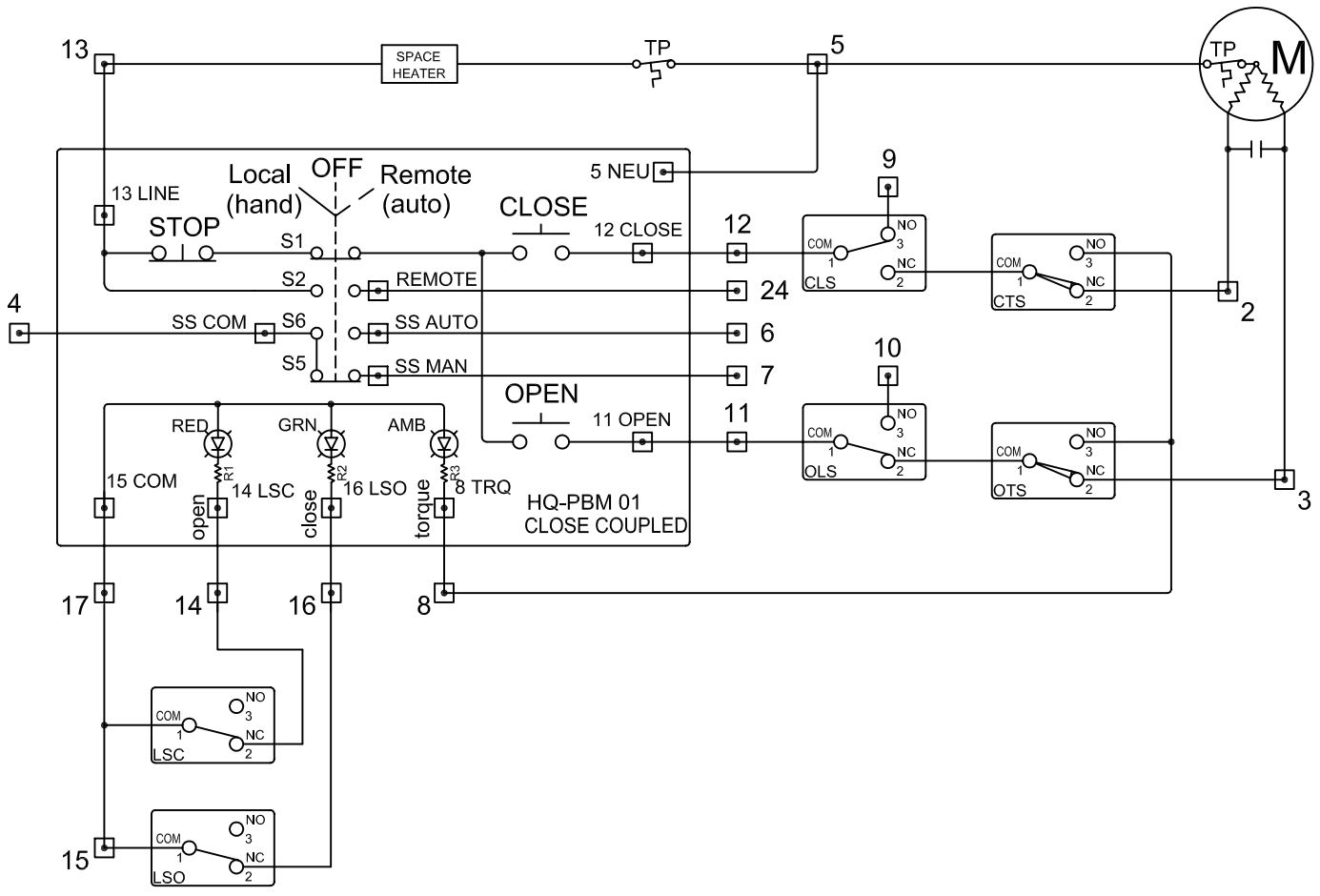
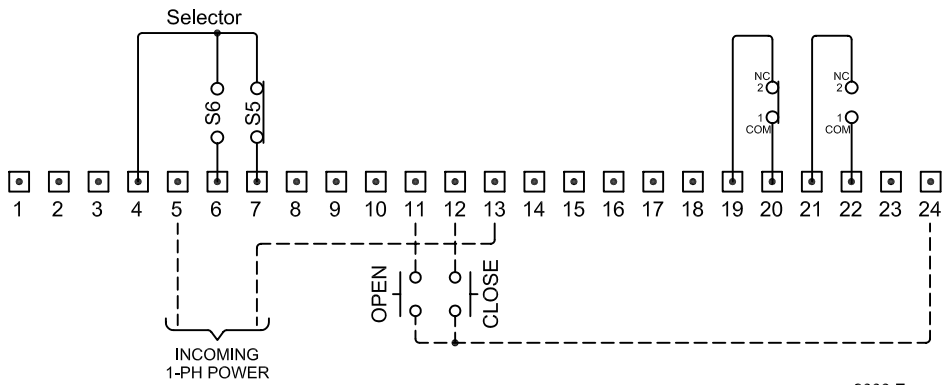


- NOTES: 1) Contacts shown: Valve Closed, Voltage: Off
 2) Customer wires to terminals on Terminal Block
 ----- Field Connected Wiring by OTHERS .
 3) Position Indicator Pilot Lights: LED solid-state
 OPEN indicates: Full Open (RED)
 CLOSE indicates: Full Closed (GREEN)
 Mid-Position : Both OPEN and CLOSE illuminated.
 4) Use 90°C minimum rated conductors for customer field wiring to valve actuator.



SS Table

	Hand	Off	Auto
S1	X	O	O
S2	O	O	X
S6	O	O	X
S5	X	O	O



	Valve Position			Contact Function
	Close	MID	Open	
CLS 1-2	O	X	X	Used
CLS 1-3	X	O	O	Used
OLS 1-2	X	X	O	
OLS 1-3	O	O	X	
LSC 1-2	O	X	X	Open Lamp
LSO 1-2	X	X	O	Close Lamp
ACLS 1-2	O	X	X	
AOLS 1-2	X	X	O	



OWN BY: PB ORIGINAL DATE: 10-04-2010
 WIRING DIAGRAM

HQ-15/20 w/PBM