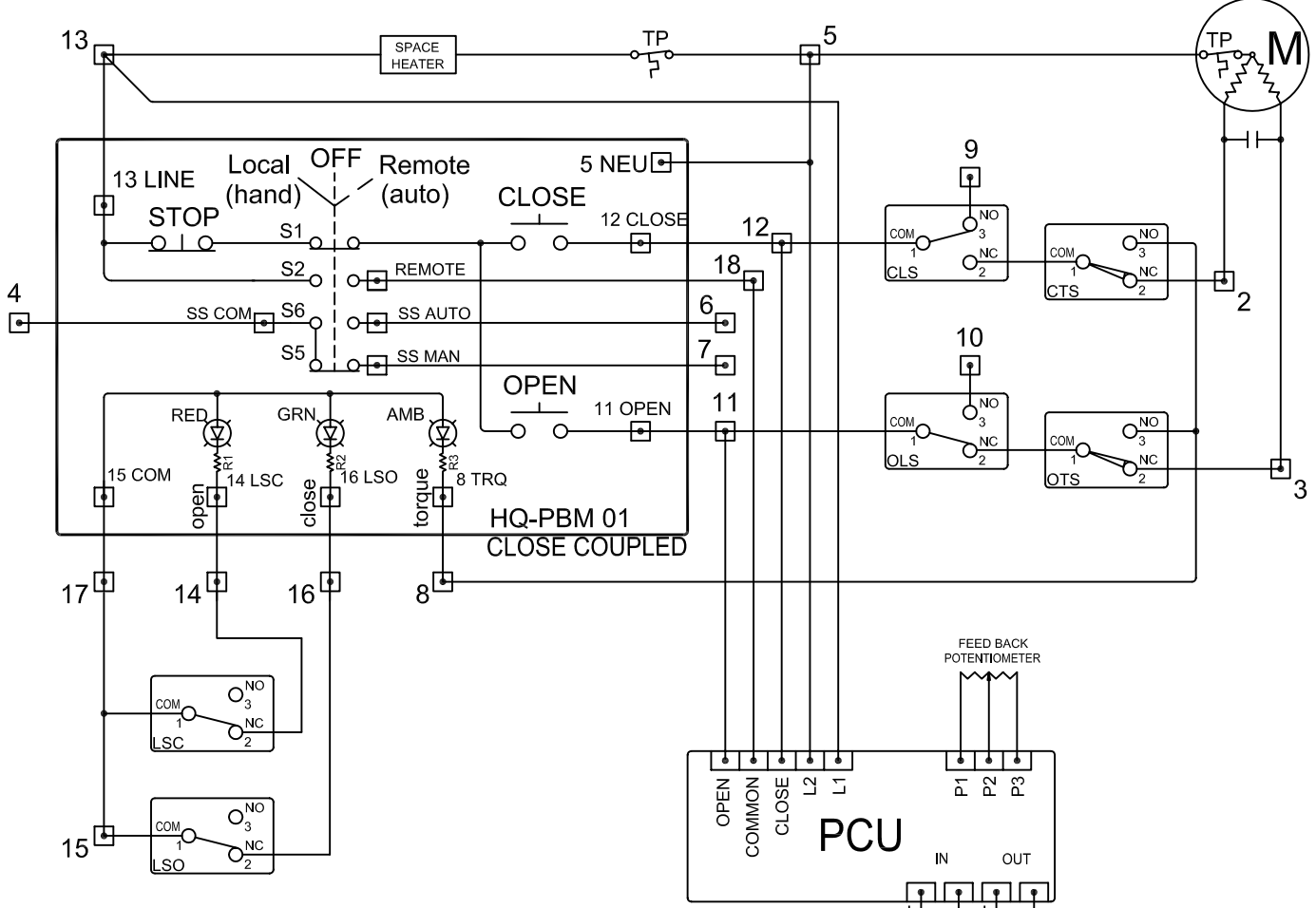
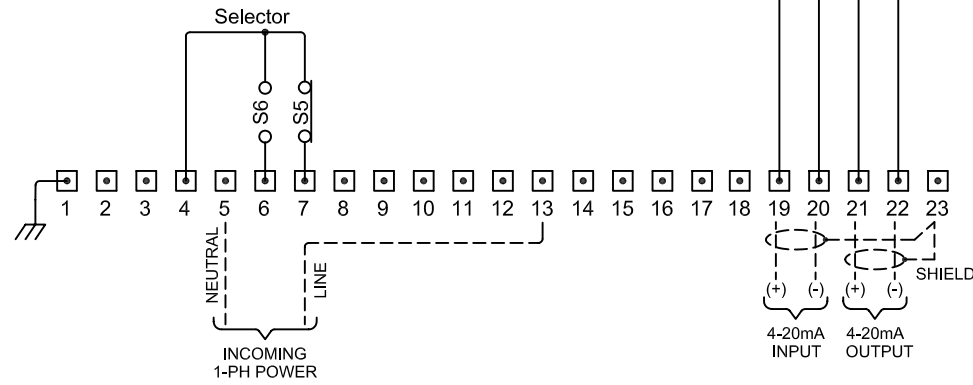


- NOTES: 1) Contacts shown: Valve Closed, Voltage: Off
 2) Customer wires to terminals on Terminal Block
 ----- Field Connected Wiring by OTHERS .
 3) Position Indicator Pilot Lights: LED solid-state
 OPEN indicates: Full Open (RED)
 CLOSE indicates: Full Closed (GREEN)
 Mid-Position : Both OPEN and CLOSE illuminated.
 4) Use 90°C minimum rated conductors for customer field wiring to valve actuator.



SS Table

	Hand	Off	Auto
S1	X	O	O
S2	O	O	X
S6	O	O	X
S5	X	O	O



	Valve Position			Contact Function
	Close	MID	Open	
CLS 1-2	O	X	X	Used
CLS 1-3	X	O	O	
OLS 1-2	X	X	O	Used
OLS 1-3	O	O	X	
LSA 1-2	O	X	X	Open Lamp
LSB 1-2	X	X	O	Close Lamp

EMERSON
Process Management

OWN BY: BJ ORIGINAL DATE: 11-04-09

WIRING DIAGRAM: HQ 15 & 20 PBM CC PCU