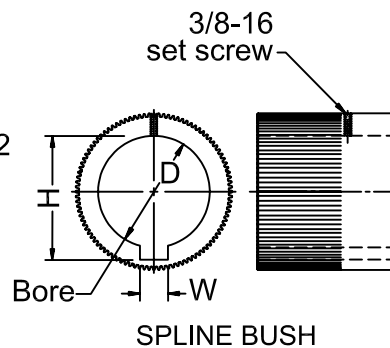
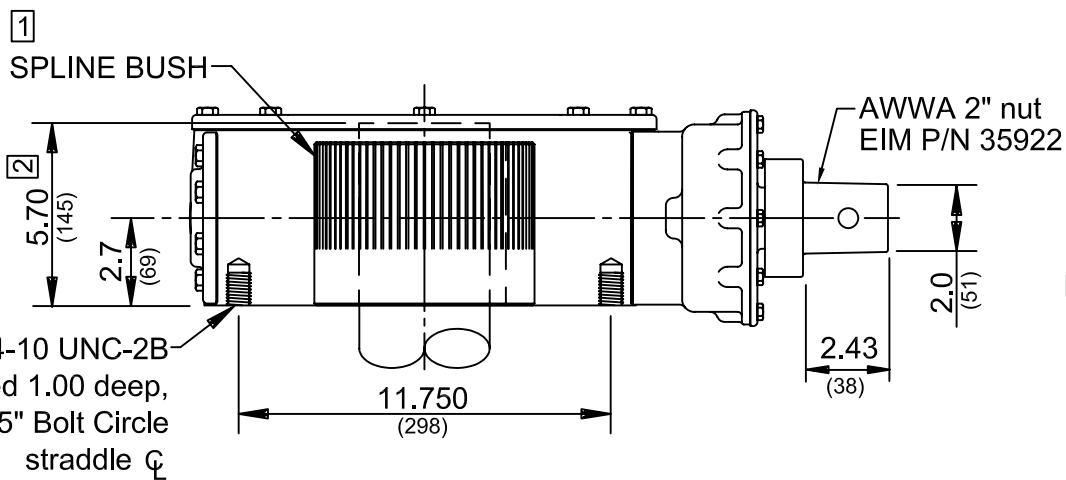
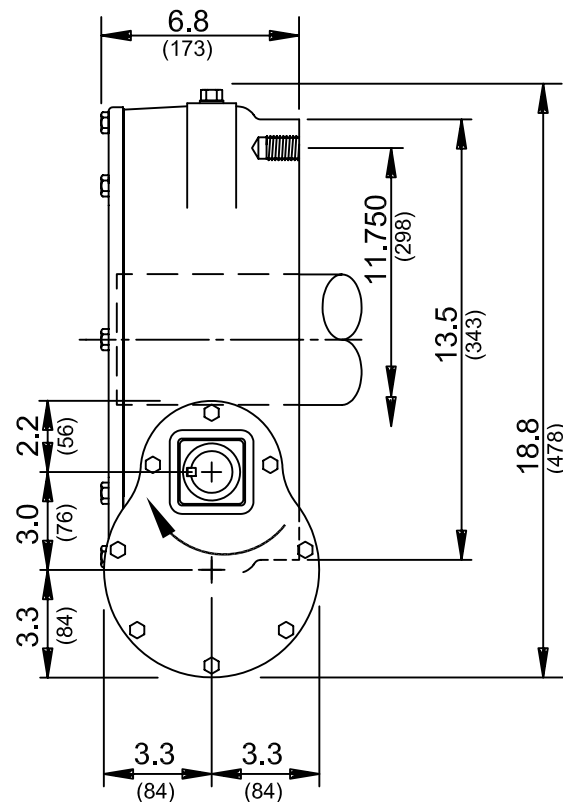
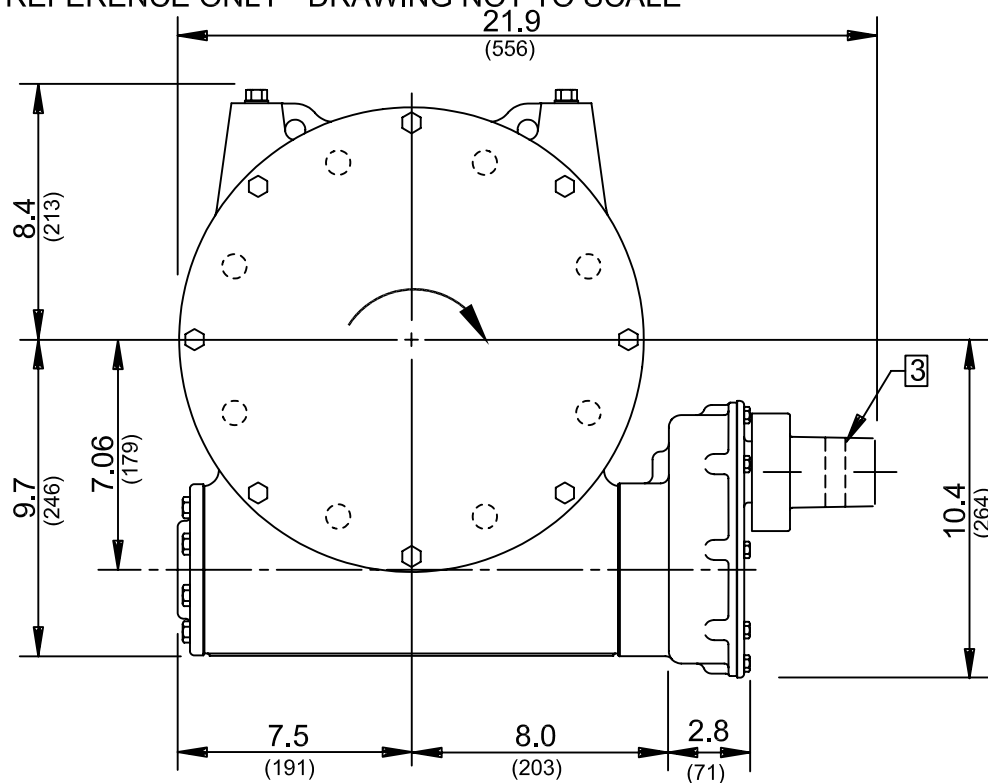


FOR REFERENCE ONLY - DRAWING NOT TO SCALE



- 1 Spline Bush: Removable from the bottom of actuator. Refer to EIM Job Spec sheet for Bushing furnished for specific application.
- 2 Maximum Valve Stem Length
- 3 Stainless Steel Pin 3/8 X 2.00 EIM P/N 4043002073
- 4) Approximate Weight 210 lbs.

Special Note: Industry standards for manual actuators generally require Clockwise (CW) rotation of handwheel to close valve with Clockwise (CW) rotation of valve shaft. EIM Model WB54-A has CW rotation of actuator input shaft for CW rotation of valve input shaft.

INCHES .XXX ± .005"  
 (MILLIMETERS) .XX ± .020"  
 .X APPROX.

**EIM** EIM COMPANY, INC.  
 13840 PIKE ROAD  
 CONTROLS MISSOURI CITY, TX 77489

**WB54-A 11.75"**  
**OUTLINE NO. 72231-A** REV E

E	3/18/92	7790	CML
REV	DATE	ERO	BY