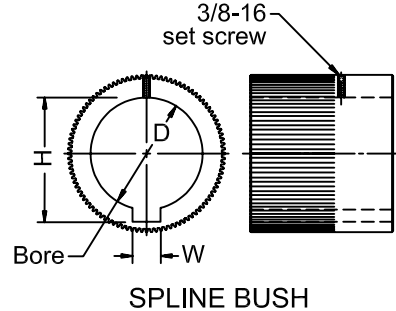
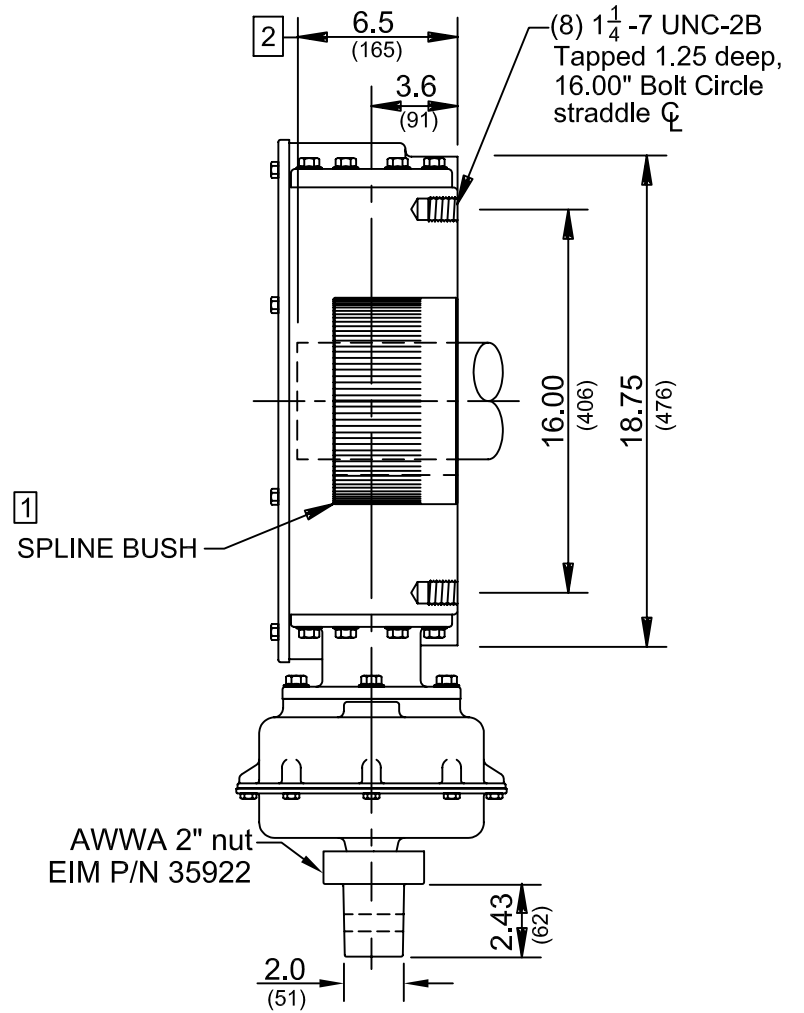
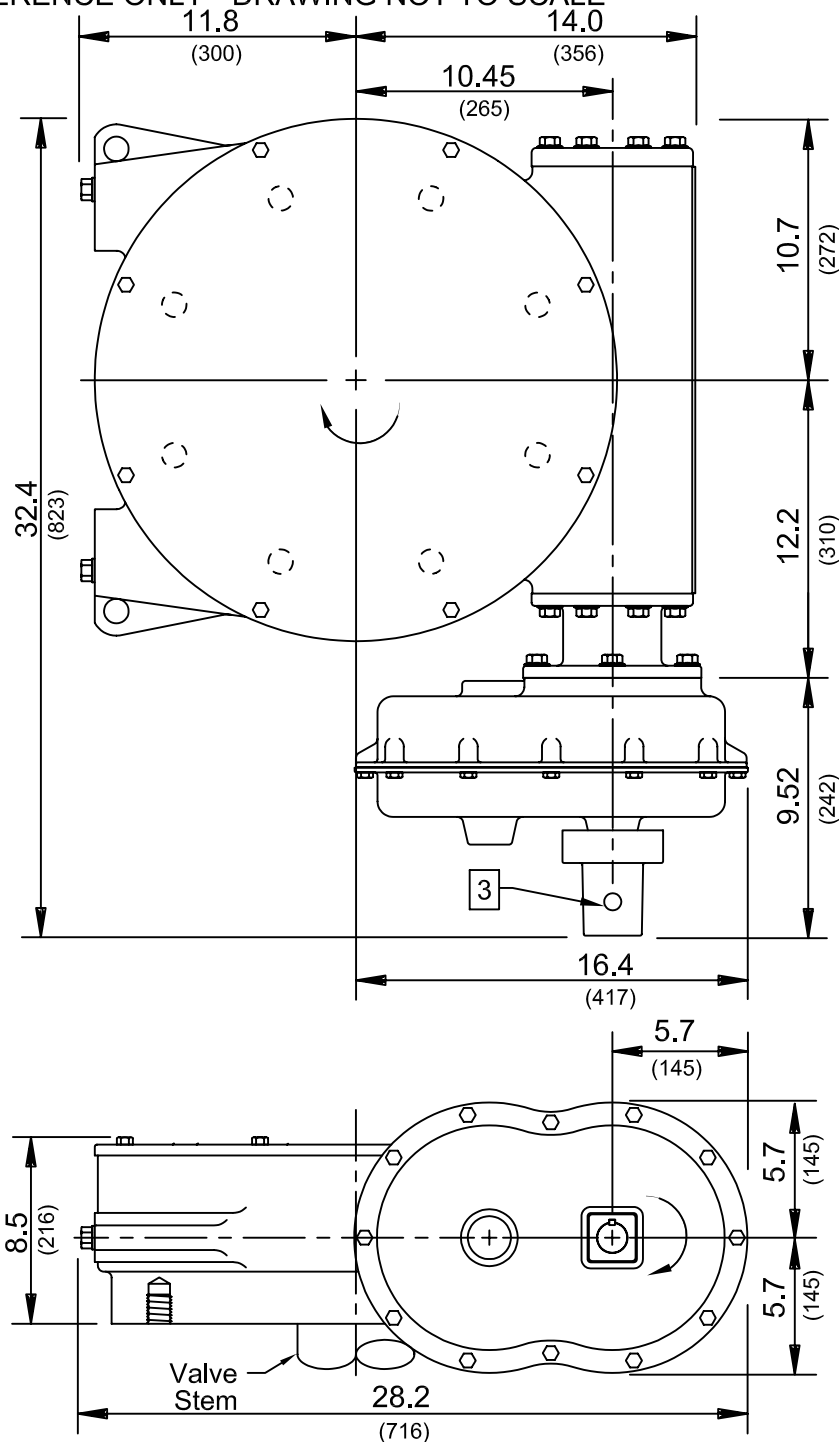


FOR REFERENCE ONLY - DRAWING NOT TO SCALE



- 1** Spline Bush: Removable from the bottom of actuator. Refer to EIM Job Spec sheet for Bushing furnished for specific application.
- 2** Maximum Valve Stem Length
- 3** Stainless Steel Pin 3/8 X 2.00 EIM P/N 4043002073
- 4** Approximate Weight 585 lbs.

INCHES .XXX ± .005"
 (MILLIMETERS) .XX ± .020"
 .X APPROX.

Special Note: Industry standards for manual actuators generally require Clockwise (CW) rotation of handwheel to close valve with Clockwise (CW) rotation of valve shaft. EIM Model WB65-B has CW rotation of actuator input shaft for CW rotation of valve input shaft.

EIM EIM COMPANY, INC.
 13840 PIKE ROAD
 CONTROLS MISSOURI CITY, TX 77489

WB65-B 16.00"
OUTLINE NO. 72232-B ^{REV} **G**

G	3/18/92	7790	CML
REV	DATE	ERO	BY