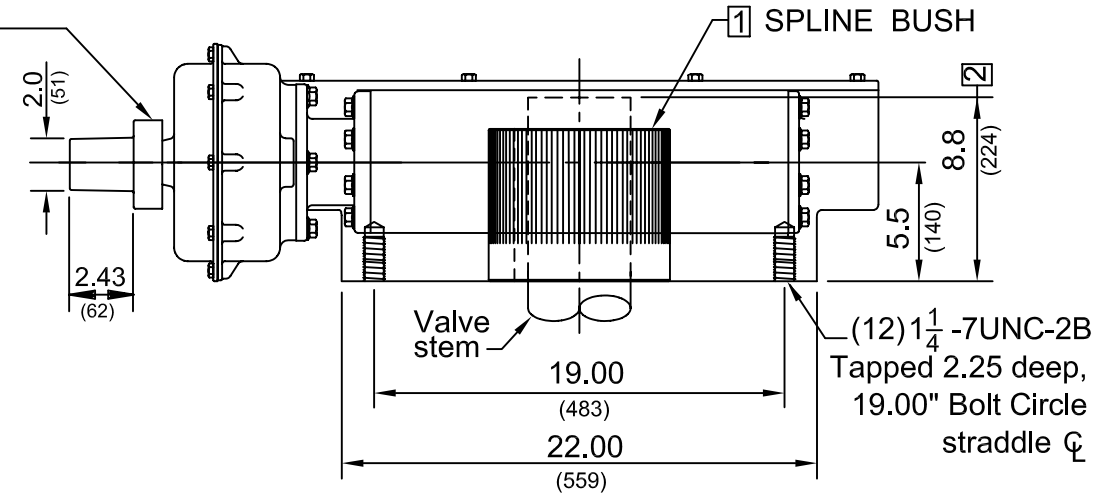


AWWA 2" nut  
EIM P/N 35922



- 1) Spline Bush: Removable from the bottom of actuator. Refer to EIM Job Spec sheet for Bushing furnished for specific application.
- 2) Maximum Valve Stem Length
- 3) Approximate Weight 970 lbs.

FOR REFERENCE ONLY - DRAWING NOT TO SCALE

Special Note: Industry standards for manual actuators generally require Clockwise (CW) rotation of handwheel to close valve with Clockwise (CW) rotation of valve shaft. EIM Model WB74-B has CW rotation of actuator input shaft for CW rotation of valve input shaft.

INCHES .XXX ± .005"  
(MILLIMETERS) .XX ± .020"  
.X APPROX.

**EIM** EIM COMPANY, INC.  
13840 PIKE ROAD  
CONTROLS MISSOURI CITY, TX 77489

A	1/17/96	T0005	CL/LE
REV	DATE	ERO	BY

**WB74-B 19.00"**  
**OUTLINE NO.:72234-B** <sup>REV</sup> **A**