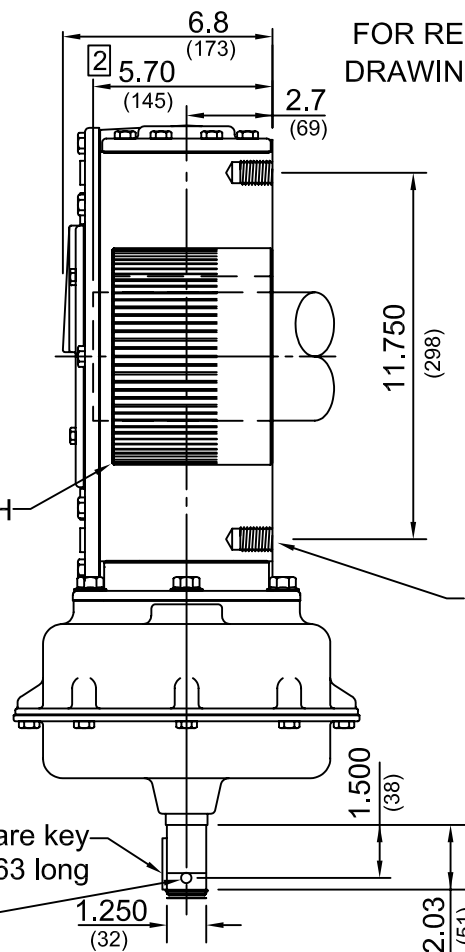
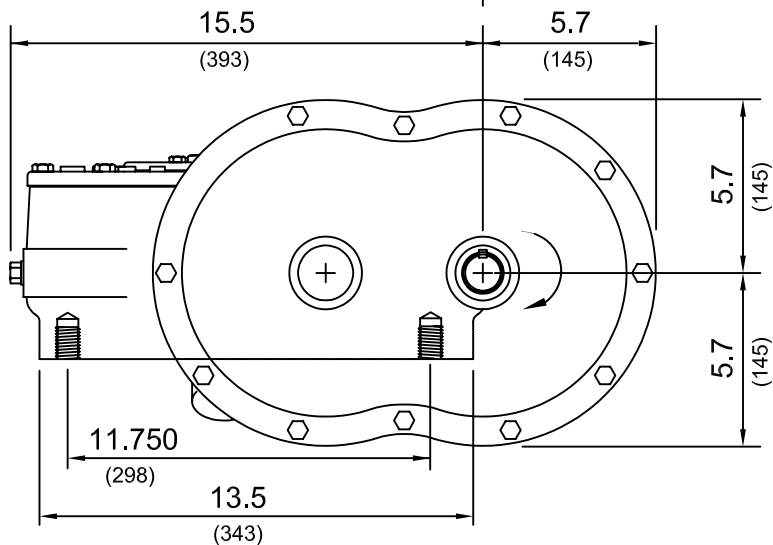


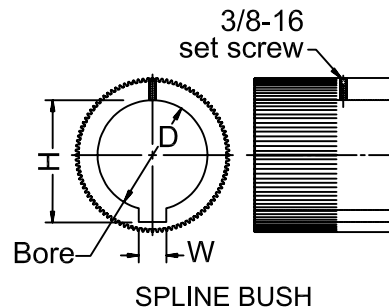
13.375 B.C.
3/8-16 Bolts

7.000 B.C.
1/4-20 Bolts



FOR REFERENCE ONLY
DRAWING NOT TO SCALE

(8) 3/4-10 UNC-2B
Tapped 1.00 deep,
11.75" Bolt Circle
straddle ϕ



- 1 Spline Bush: Removable from the bottom of actuator. Refer to EIM Job Spec sheet for Bushing furnished for specific application.
- 2 Maximum Valve Stem Length
- 3 Retainer Ring 5100-125, EIM P/N 4060001125.
- 4) Approximate Weight 285 lbs.

Special Note: Industry standards for manual actuators generally require Clockwise (CW) rotation of handwheel to close valve with Clockwise (CW) rotation of valve shaft. EIM Model WO55-B has CW rotation of actuator input shaft for CW rotation of valve input shaft.

INCHES .XXX ± .005"
(MILLIMETERS) .XX ± .020"
.X APPROX.

EIM EIM COMPANY, INC.
13840 PIKE ROAD
CONTROLS MISSOURI CITY, TX 77489

WO55-B 11.75"
OUTLINE NO.: 72310-B REV D

D	10/16/95	9879	CML
REV	DATE	ERO	BY