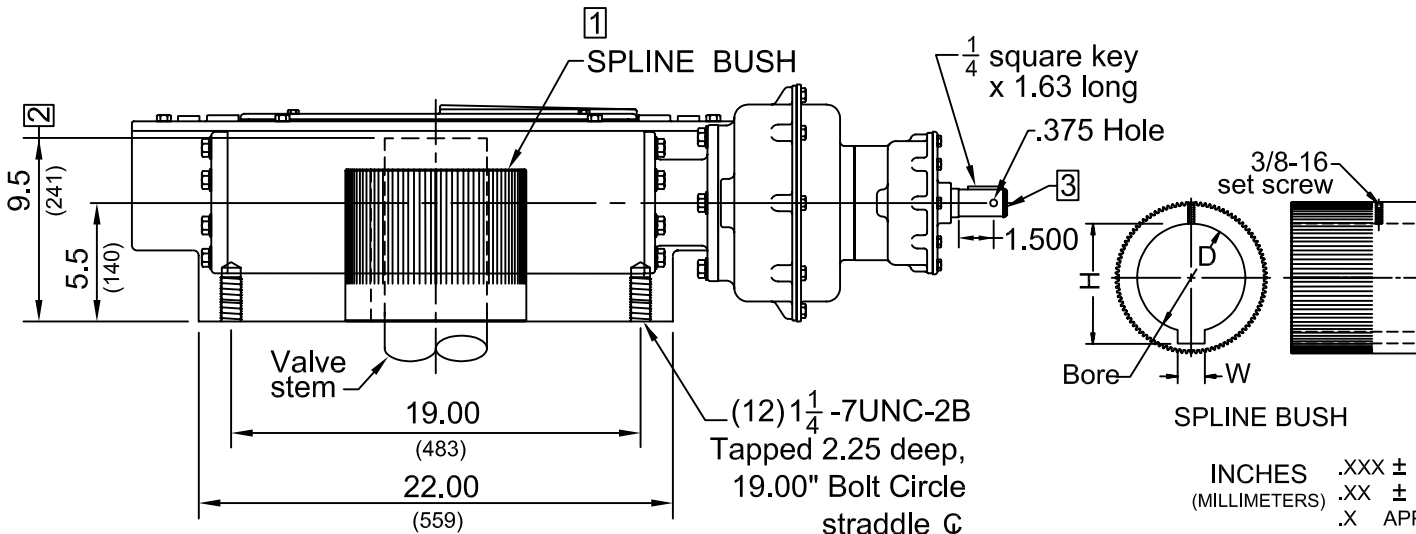
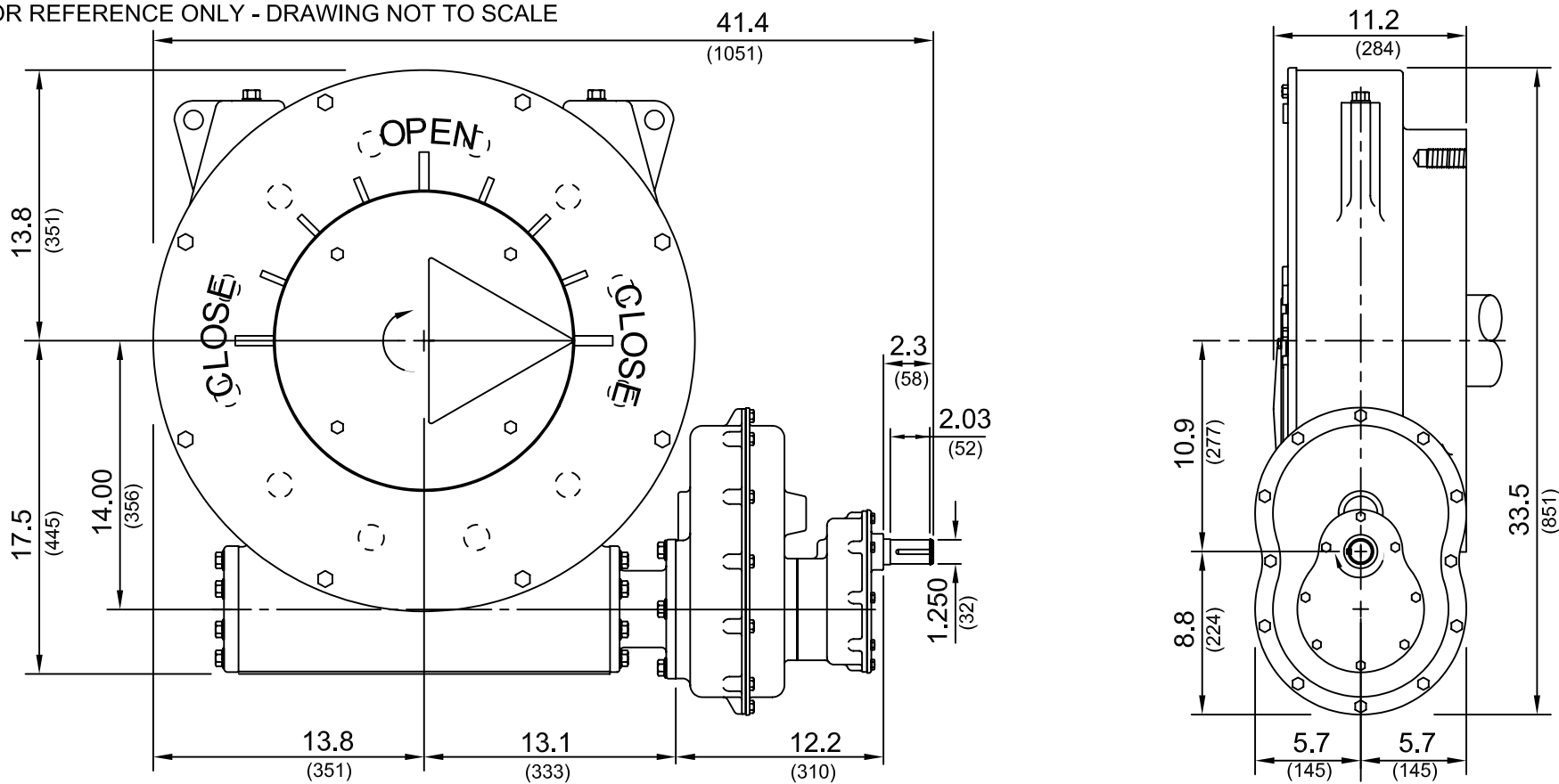
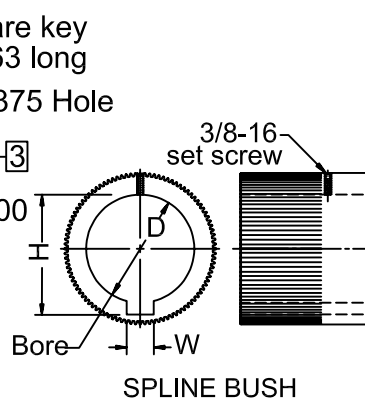


FOR REFERENCE ONLY - DRAWING NOT TO SCALE



- ① Spline Bush: Removable from the bottom of actuator. Refer to EIM Job Spec sheet for Bushing furnished for specific application.
- ② Maximum Valve Stem Length
- ③ Retainer Ring 5100-125, EIM P/N 4060001125.
- 4) Approximate Weight 965 lbs.



INCHES .XXX ± .005"
(MILLIMETERS) .XX ± .020"
.X APPROX.

EIM EIM COMPANY, INC.
13840 PIKE ROAD
CONTROLS MISSOURI CITY, TX 77489

WO76-A 19.00"

Special Note: Industry standards for manual actuators generally require Clockwise (CW) rotation of handwheel to close valve with Clockwise (CW) rotation of valve shaft. EIM Model WO76-A has CW rotation of actuator input shaft for CW rotation of valve input shaft.

REV	DATE	ERO	CML BY
E	9/7/95	9784	

OUTLINE NO.: 72312-A E