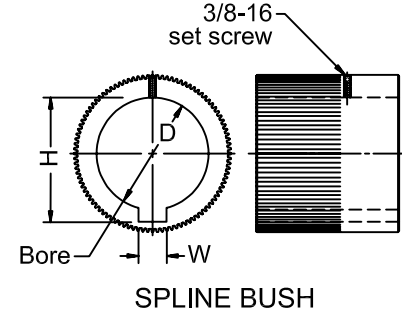
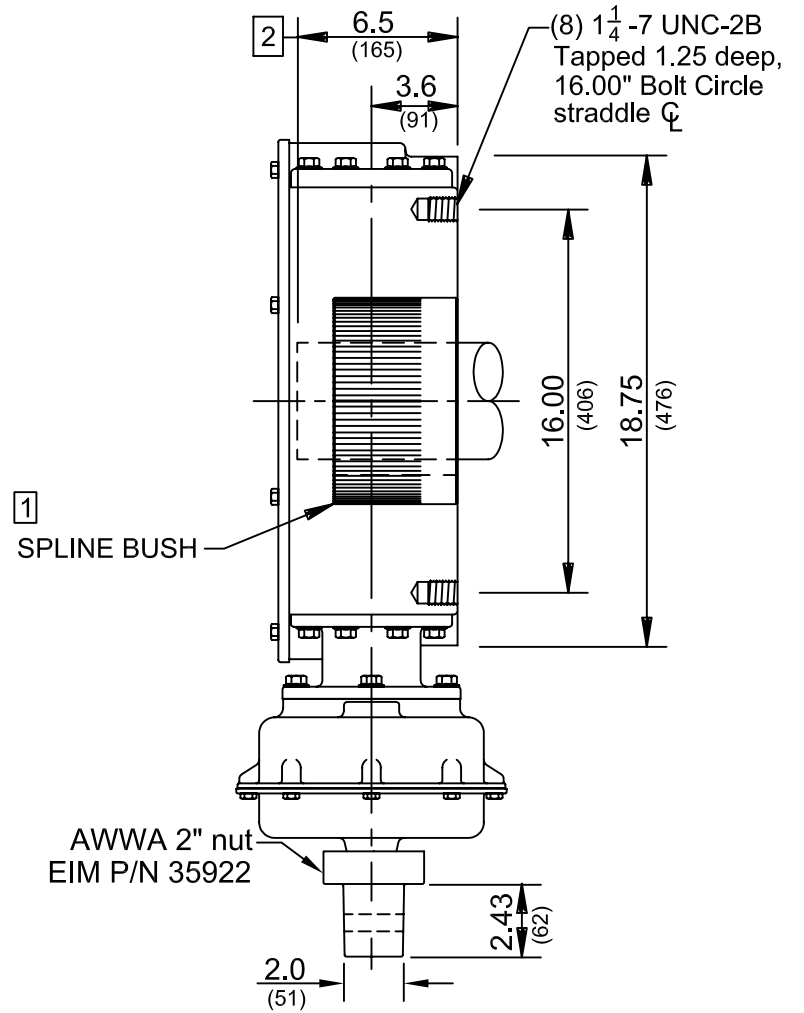
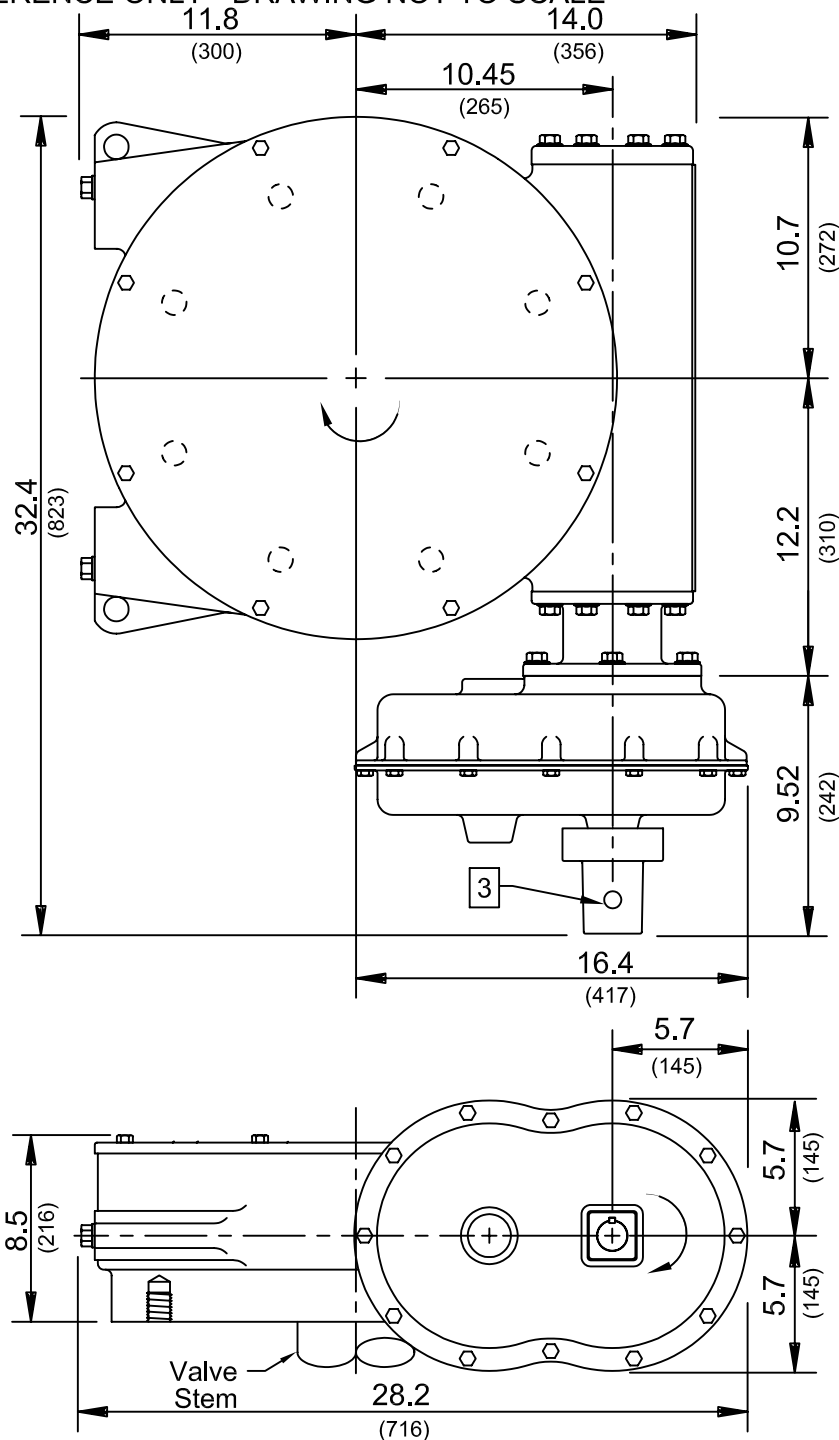


FOR REFERENCE ONLY - DRAWING NOT TO SCALE



- 1) Spline Bush: Removable from the bottom of actuator. Refer to EIM Job Spec sheet for Bushing furnished for specific application.
- 2) Maximum Valve Stem Length
- 3) Stainless Steel Pin 3/8 X 2.00 EIM P/N 4043002073
- 4) Approximate Weight 585 lbs.

INCHES .XXX ± .005"
 (MILLIMETERS) .XX ± .020"
 .X APPROX.

Special Note: Industry standards for manual actuators generally require Clockwise (CW) rotation of handwheel to close valve with Clockwise (CW) rotation of valve shaft. EIM Model WB64-B has CW rotation of actuator input shaft for CW rotation of valve input shaft.

EIM EIM COMPANY, INC.
 13840 PIKE ROAD
 CONTROLS MISSOURI CITY, TX 77489

WB64-B 16.00"
OUTLINE NO. 72337-B ^{REV} **A**

A	4/28/94	8517	CML
REV	DATE	ERO	BY