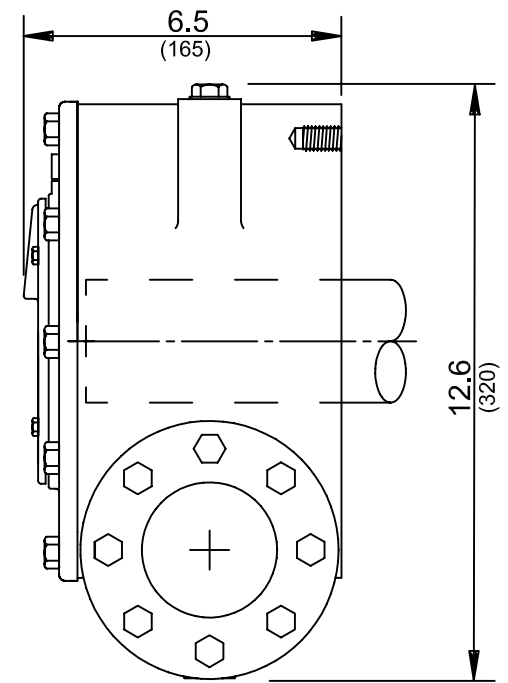
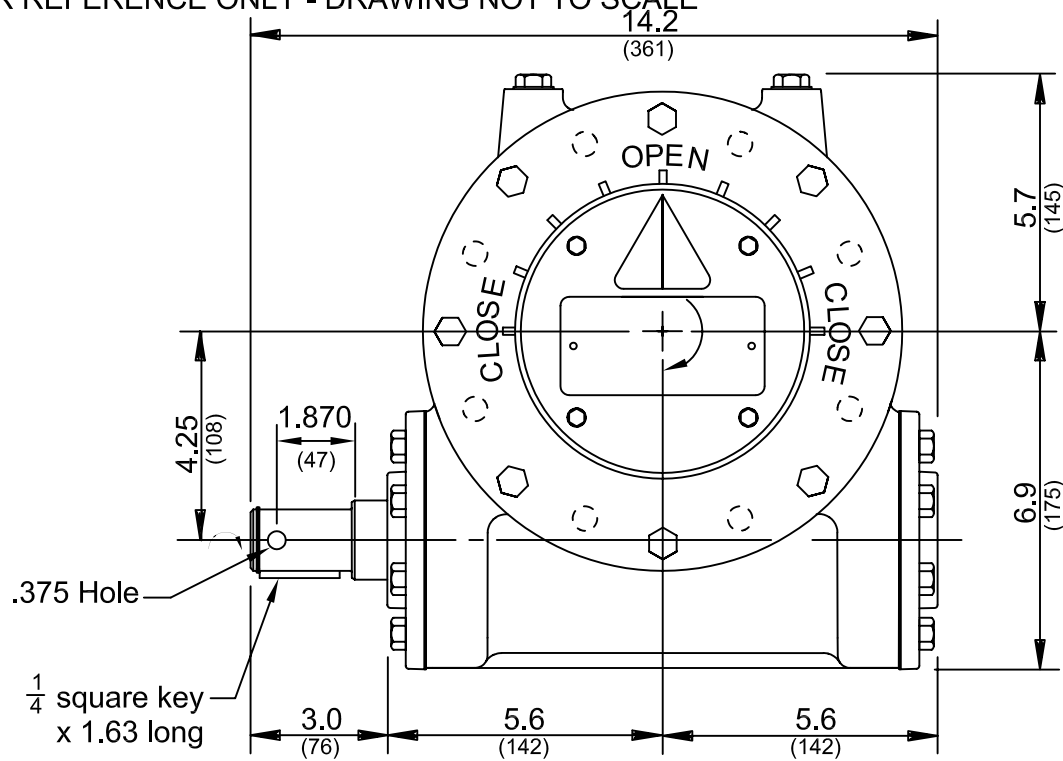
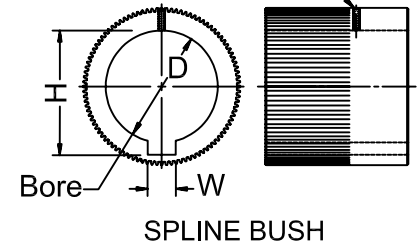


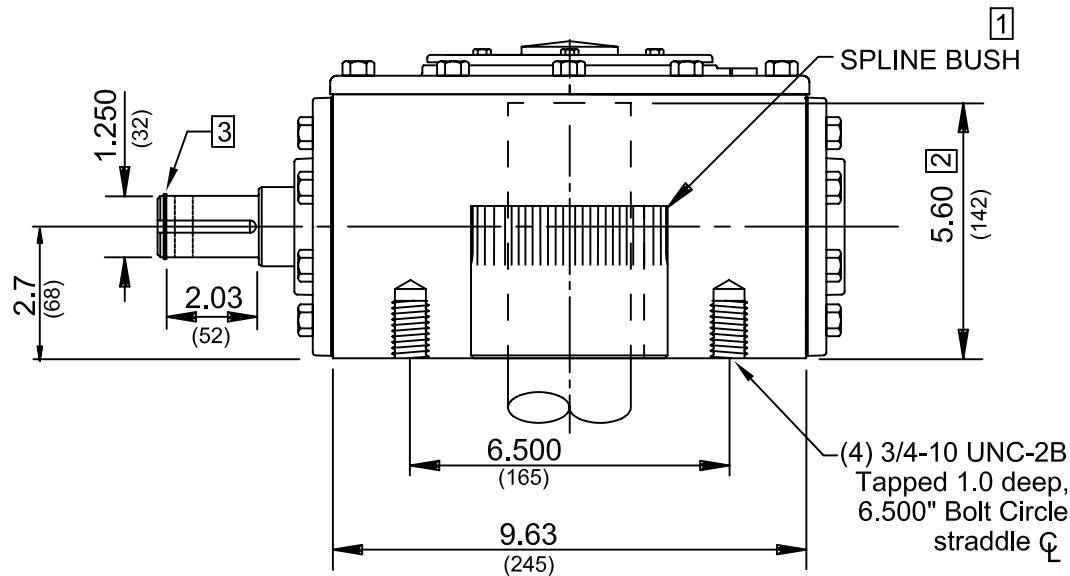
FOR REFERENCE ONLY - DRAWING NOT TO SCALE



3/8-16 set screw



SPLINE BUSH



(4) 3/4-10 UNC-2B Tapped 1.0 deep, 6.500" Bolt Circle straddle  $\phi$

- 1 Spline Bush: Removable from the bottom of actuator. Refer to EIM Spec Sheet for Bushing furnished for specific application.
- 2 Maximum Valve Stem Length
- 3 Retainer Ring 5100-125, EIM P/N 4060001125.

INCHES .XXX ± .005"  
 (MILLIMETERS) .XX ± .020"  
 .X APPROX.

**EIM** EIM COMPANY, INC.  
 13840 PIKE ROAD  
 CONTROLS MISSOURI CITY, TX 77489

**WO30-B 6.50"**

OUTLINE NO. **72380-B** A

Special Note: Industry standards for manual actuators generally require Clockwise (CW) rotation of handwheel to close valve with Clockwise (CW) rotation of valve shaft. EIM Model GO30-B has CW rotation of actuator input shaft for CW rotation of valve input shaft.

A	1/15/98	10859	CML
REV	DATE	ERO	BY