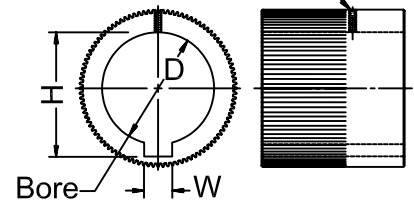
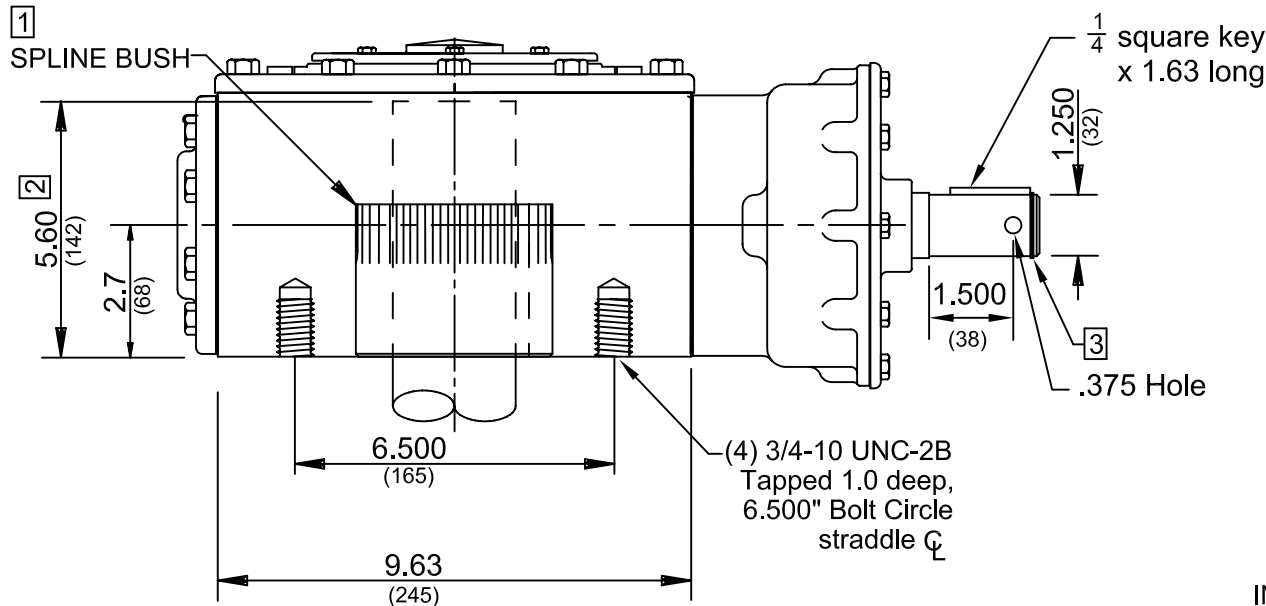
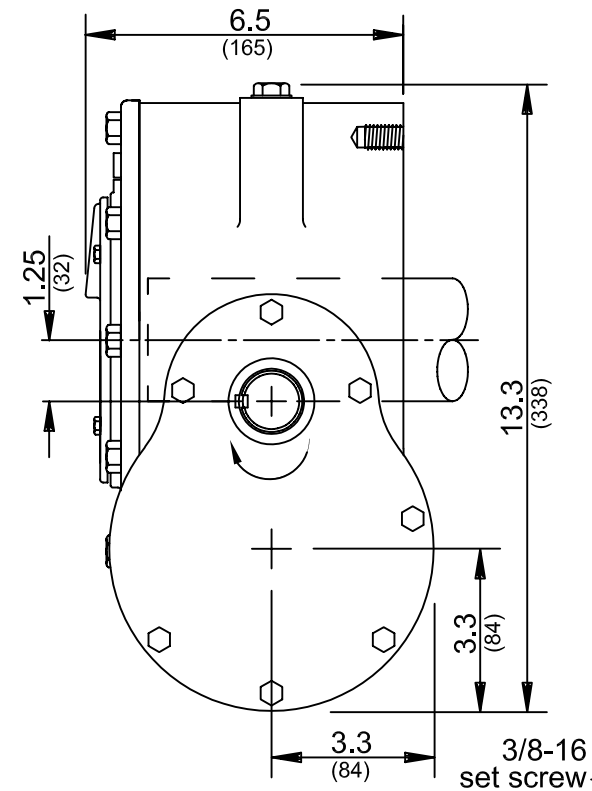
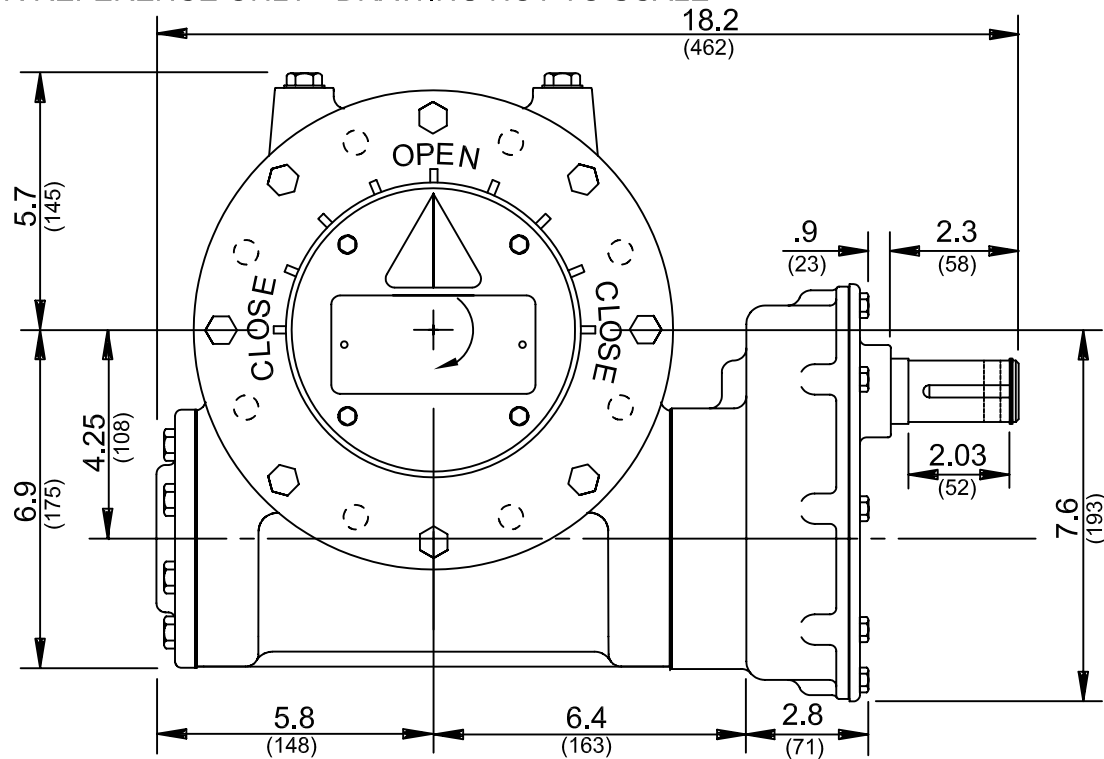


FOR REFERENCE ONLY - DRAWING NOT TO SCALE



SPLINE BUSH

- 1 Spline Bush: Removable from the bottom of actuator. Refer to EIM Job Spec sheet for Bushing furnished for specific application.
- 2 Maximum Valve Stem Length
- 3 Retainer Ring 5100-125, EIM P/N 4060001125.

Special Note: Industry standards for manual actuators generally require Clockwise (CW) rotation of handwheel to close valve with Clockwise (CW) rotation of valve shaft. EIM Model WO41-A has CW rotation of actuator input shaft for CW rotation of valve input shaft.

INCHES .XXX ± .005"
 (MILLIMETERS) .XX ± .020"
 .X APPROX.

EIM EIM COMPANY, INC.
 13840 PIKE ROAD
 CONTROLS MISSOURI CITY, TX 77489

WO41-A 6.50"

A	1/15/98	10864	CML	BY	OUTLINE NO. 72382-A ^{REV}
REV	DATE	ERO	BY		